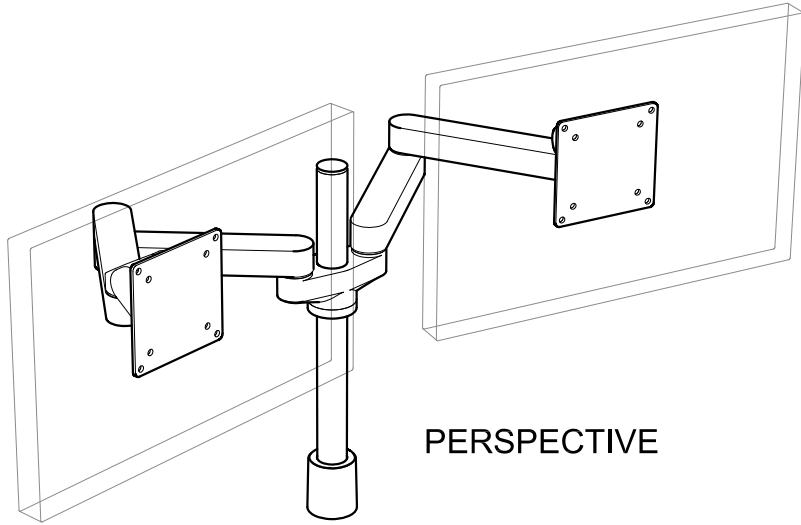


Dual Articulating Arm



PERSPECTIVE

CAPABILITIES

Horizontal range - 17 1/2"

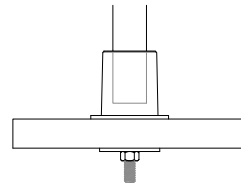
Pole Height - 14" to 28"

Monitor tilt - 200 degrees

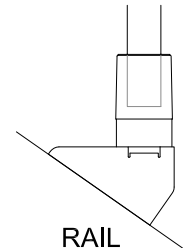
Monitor pivot - Landscape to portrait

Monitor compatibility - VESA 75mm and 100mm

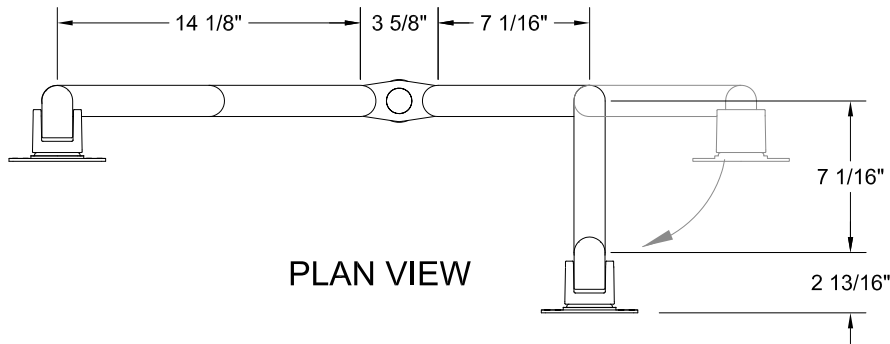
Monitor weight - Up to 40 lbs per monitor



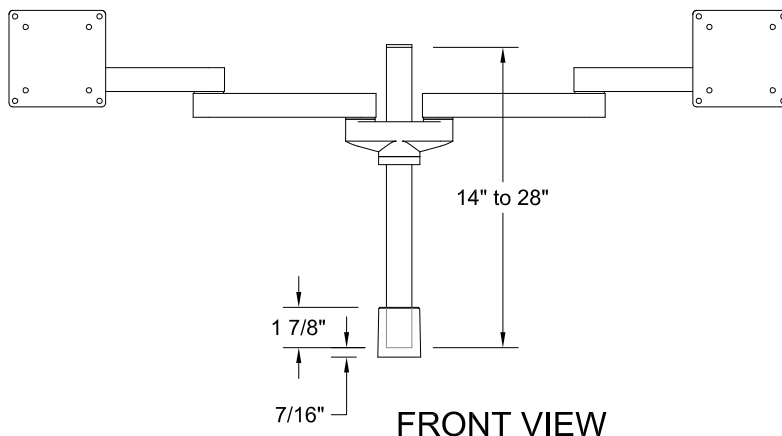
SURFACE
MOUNT



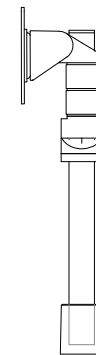
RAIL
MOUNT



PLAN VIEW



FRONT VIEW



SIDE VIEW