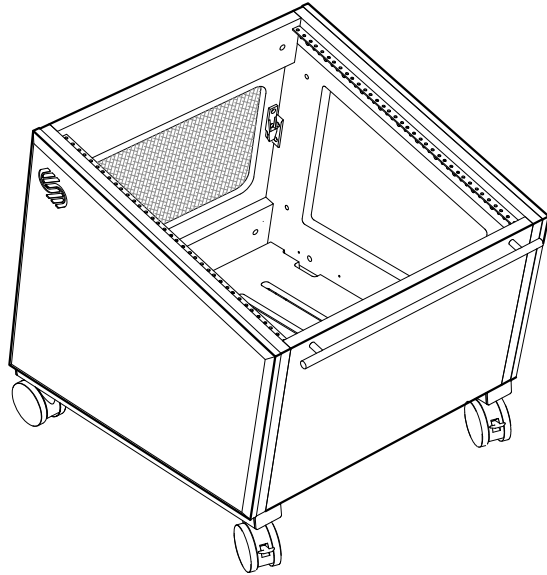
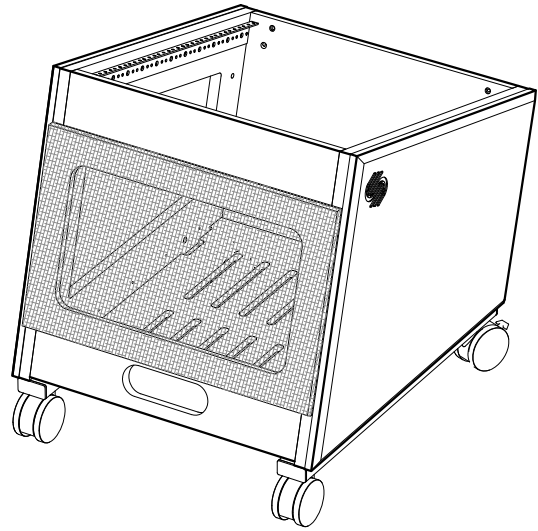


# Face-Up Assembly Instructions



Front View



Rear View

Thank you for your purchase from Sterling Modular Systems, Inc.  
We hope you have years of success with this finely engineered piece of furniture.

If you have any questions regarding assembly, missing or damaged pieces.  
Please contact us:

---

Telephone: 610-369-5802 (8am to 3pm EST)  
Email: [sales@sterlingmodular.com](mailto:sales@sterlingmodular.com)

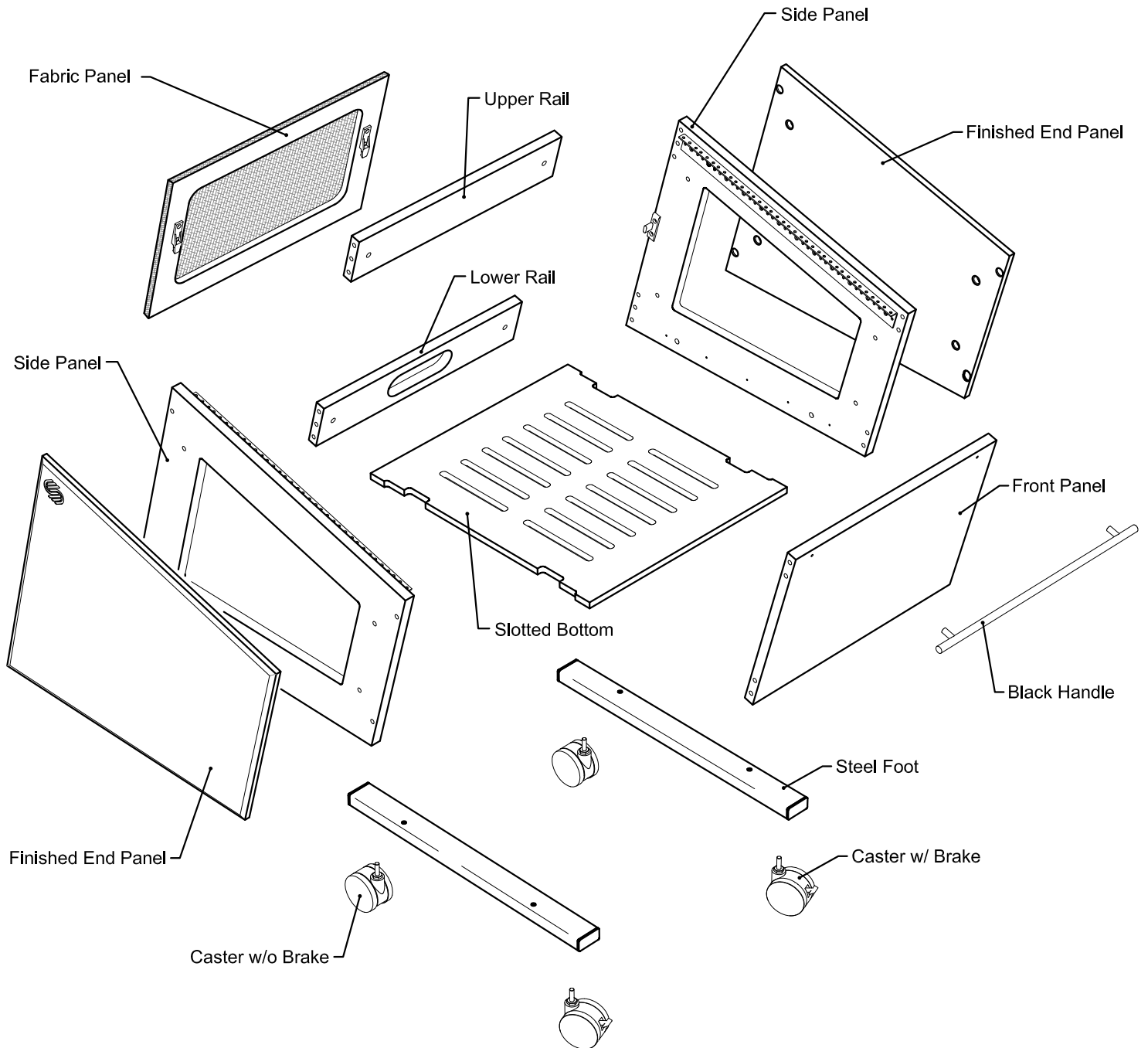
---

Thank You,  
Sterling Modular Systems, Inc.



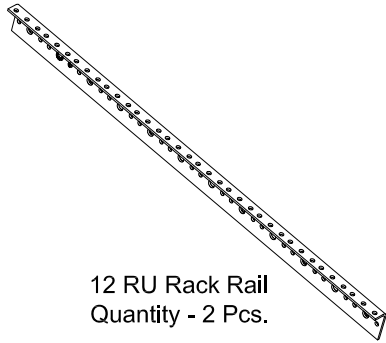
# Face-Up Assembly Instructions

## Exploded View

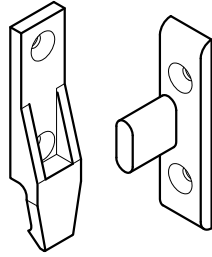


# Face-Up Assembly Instructions

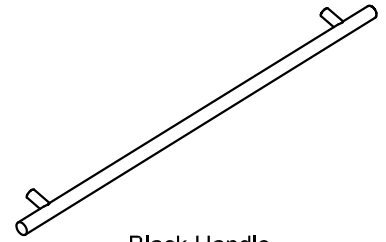
## Hardware



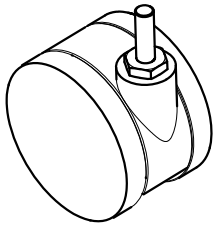
12 RU Rack Rail  
Quantity - 2 Pcs.



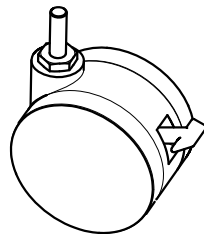
Keku Clips  
Quantity - 2 Pcs.



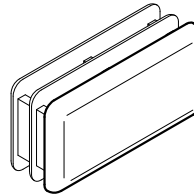
Black Handle  
Quantity - 1 Pc.



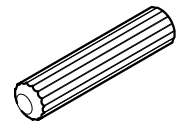
Caster w/o Brake  
Quantity - 2 Pcs.



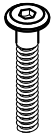
Caster w/ Brake  
Quantity - 2 Pcs.



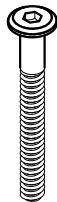
1 x 2 End Cap  
Quantity - 4 Pcs.



Wood Dowel  
12 Pcs.



30mm X 1/4-20 Connector Bolt  
Quantity - 8 Pcs.



55mm X 1/4-20 Connector Bolt  
Quantity - 12 Pcs.



Varianta Screw  
Quantity - 12 Pcs.



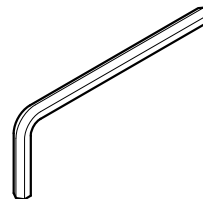
Connector Nut  
Quantity - 12 Pcs.



#8 x 1/2" Flat Head Screw  
Quantity - 8 Pcs.



M4 x 25mm Pan Head Screw  
Quantity - 2 Pcs.



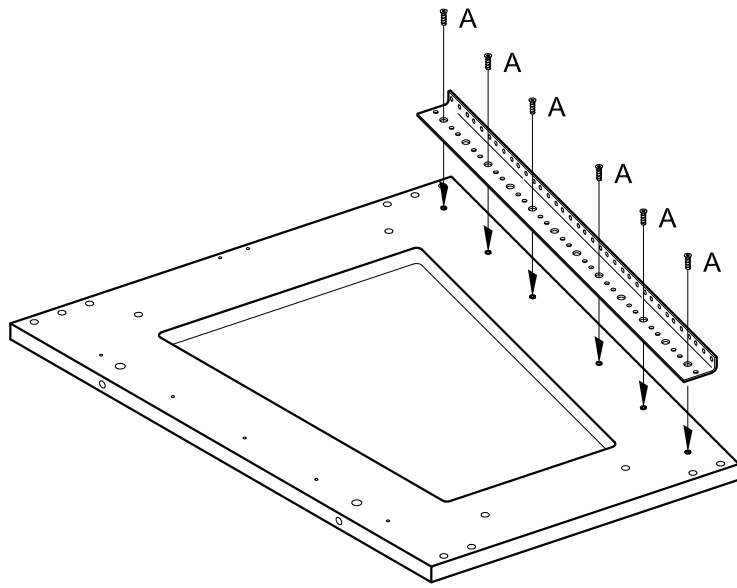
5/32 Allen Wrench  
Quantity - 1 Pc.

Note:  
Please unpack and  
organize all hardware  
prior to assembly.



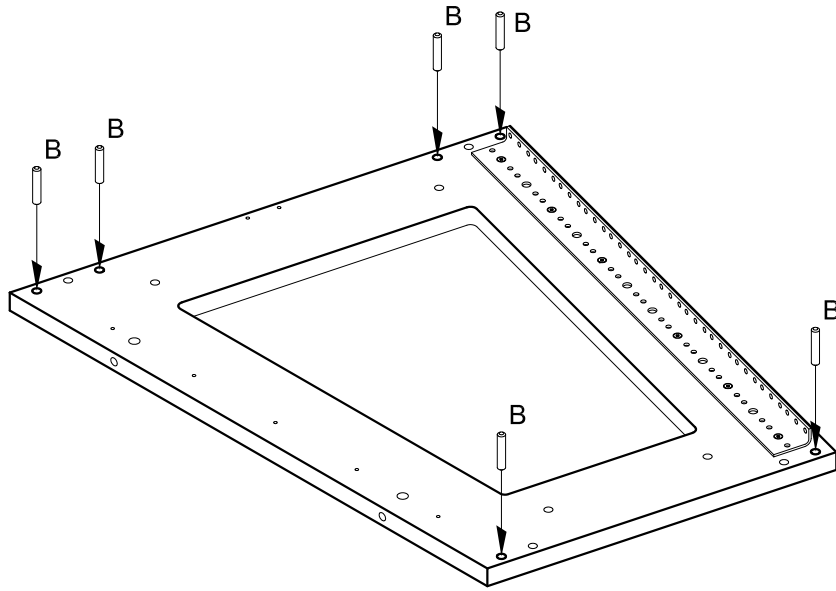
# Step 1

Place the Right Side Panel on a hard flat surface with holes facing up as shown. Attach one of the 12 RU Rack Rails to the Panel using the Varianta Screws (A). Repeat for Left Side Panel.



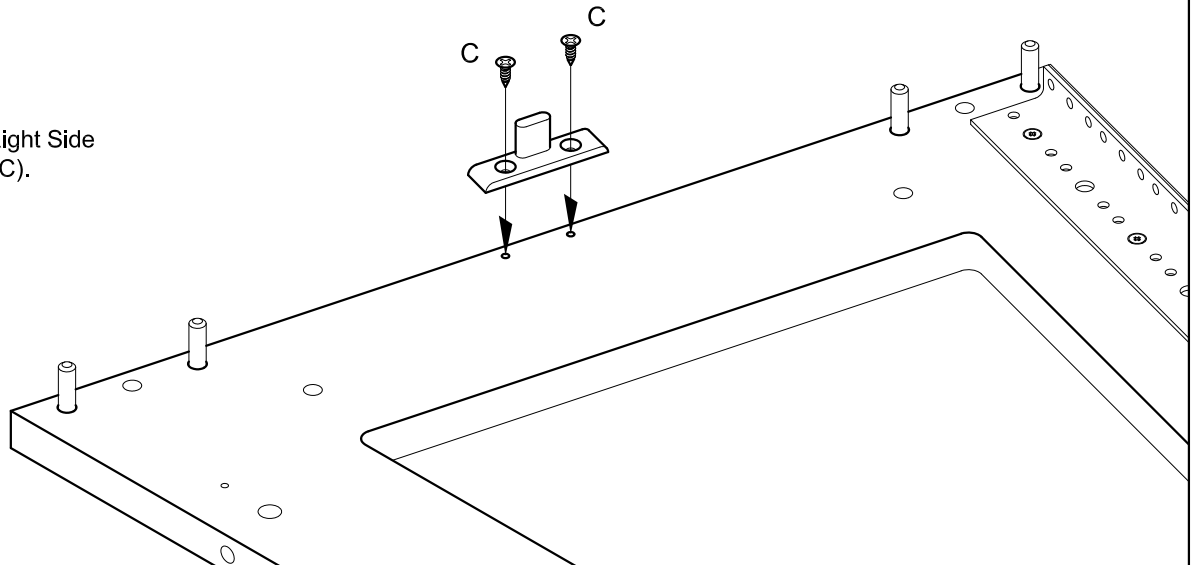
# Step 2

Insert Wood Dowels (B) into the Right Side Panel as shown. Repeat for Left Side Panel.



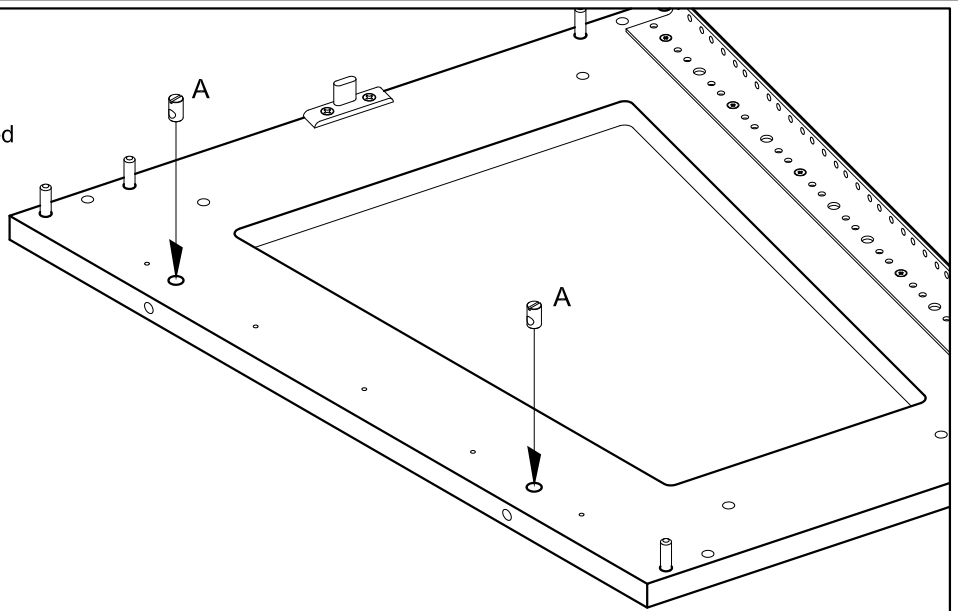
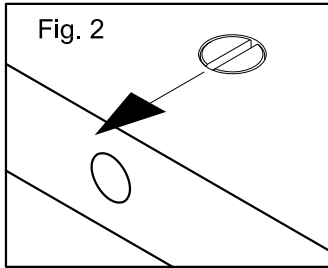
# Step 3

Attach the Keku Clip to the Right Side Panel with #8 x 1/2" screws (C). Repeat for Left Side Panel.



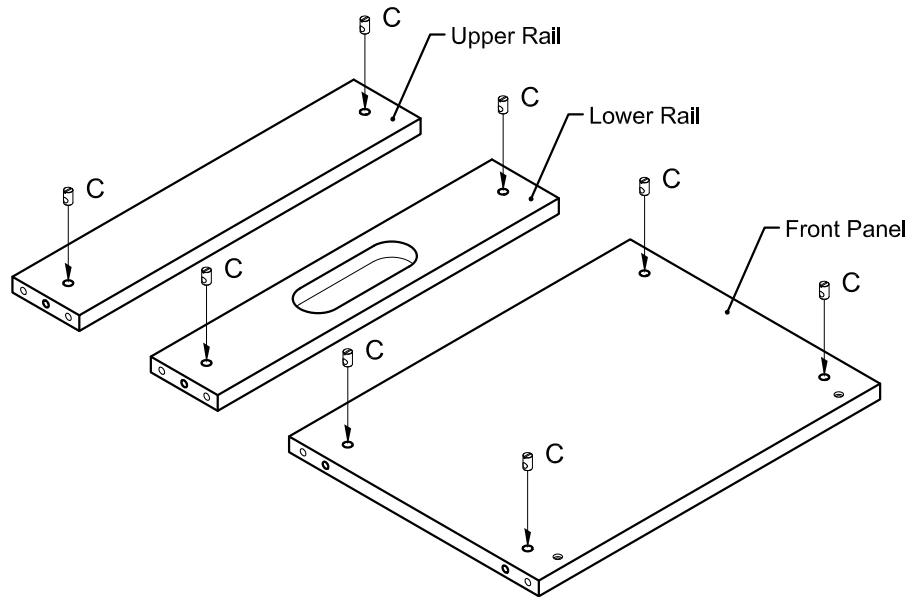
## Step 4

Insert Connector Nuts (A) in the holes with the slotted end facing up, and align as shown in Figure 2. Repeat with Left Side Panel.



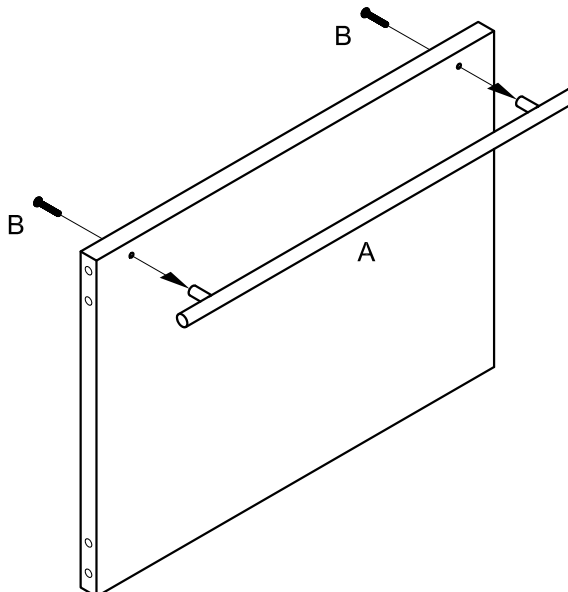
## Step 5

Place the Front Panel along with the Upper and Lower Rails on a flat surface as shown. Insert the Connector Nuts (C) as shown in Fig. 2 Above.

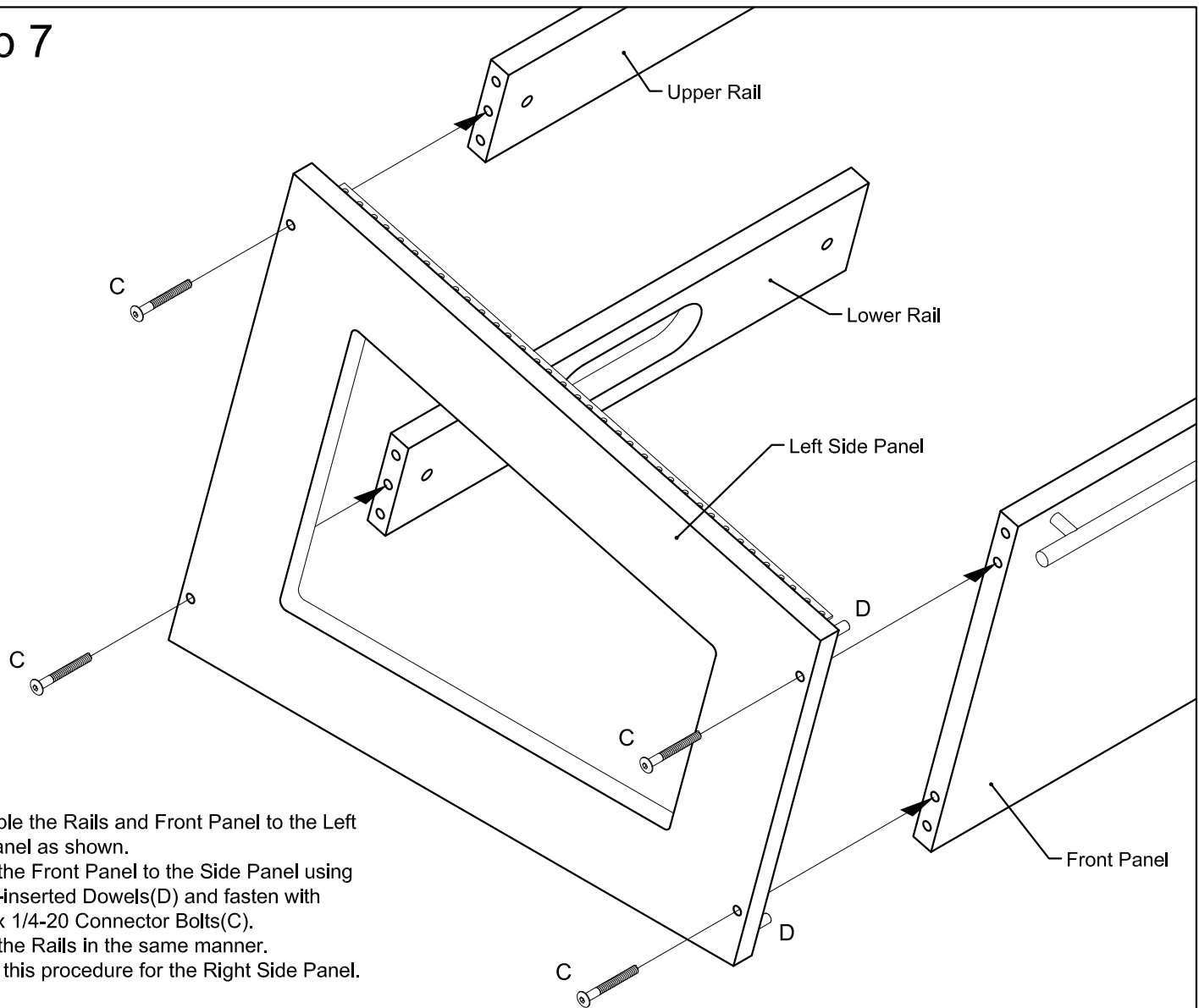


## Step 6

Attach the Black Handle (A) to the Front Panel with M4 x 25MM Pan Head Screws (B).

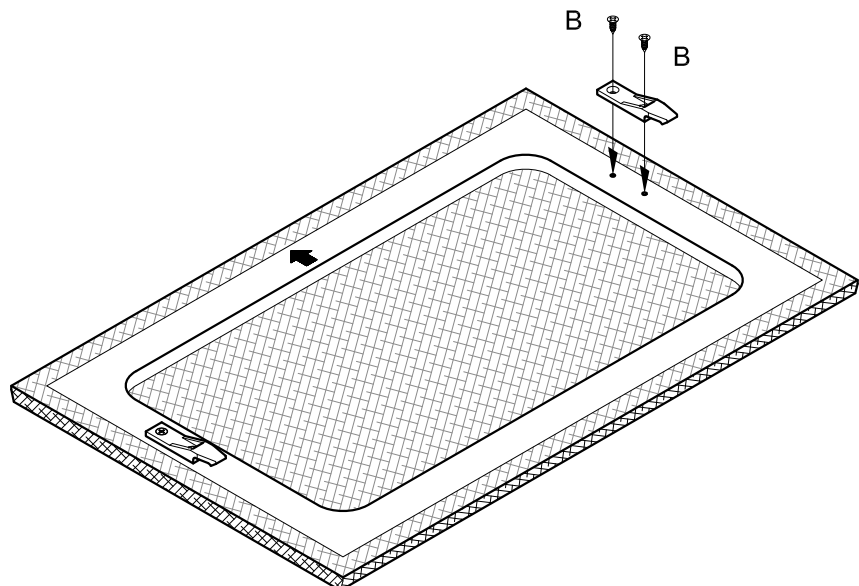


## Step 7



Assemble the Rails and Front Panel to the Left Side Panel as shown.  
Attach the Front Panel to the Side Panel using the pre-inserted Dowels(D) and fasten with 55MM x 1/4-20 Connector Bolts(C).  
Attach the Rails in the same manner.  
Repeat this procedure for the Right Side Panel.

## Step 8



Attach the Hook side of the Keku Clips to the back of the Fabric Covered Panel. Use #8 x 1/2" Flat Head Screws(B).  
Note that the "UP" label is at the top of the panel and the Keku hooks are facing down.

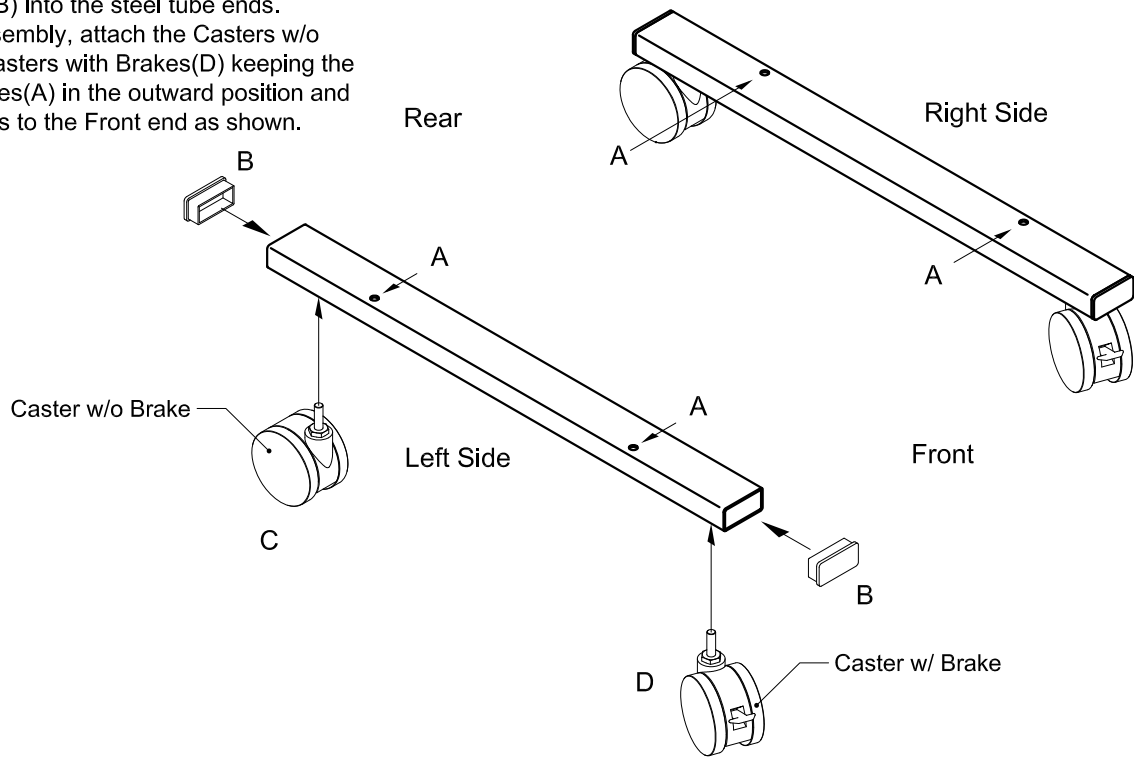


Note: If you have purchased the Face-Up "Riser Option",  
STOP here and continue with the Riser Assembly Instructions.

## Step 9

Insert the End Caps(B) into the steel tube ends.

To assure proper assembly, attach the Casters w/o Brakes(C) and the Casters with Brakes(D) keeping the offset attachment holes(A) in the outward position and the Casters w/ Brakes to the Front end as shown.

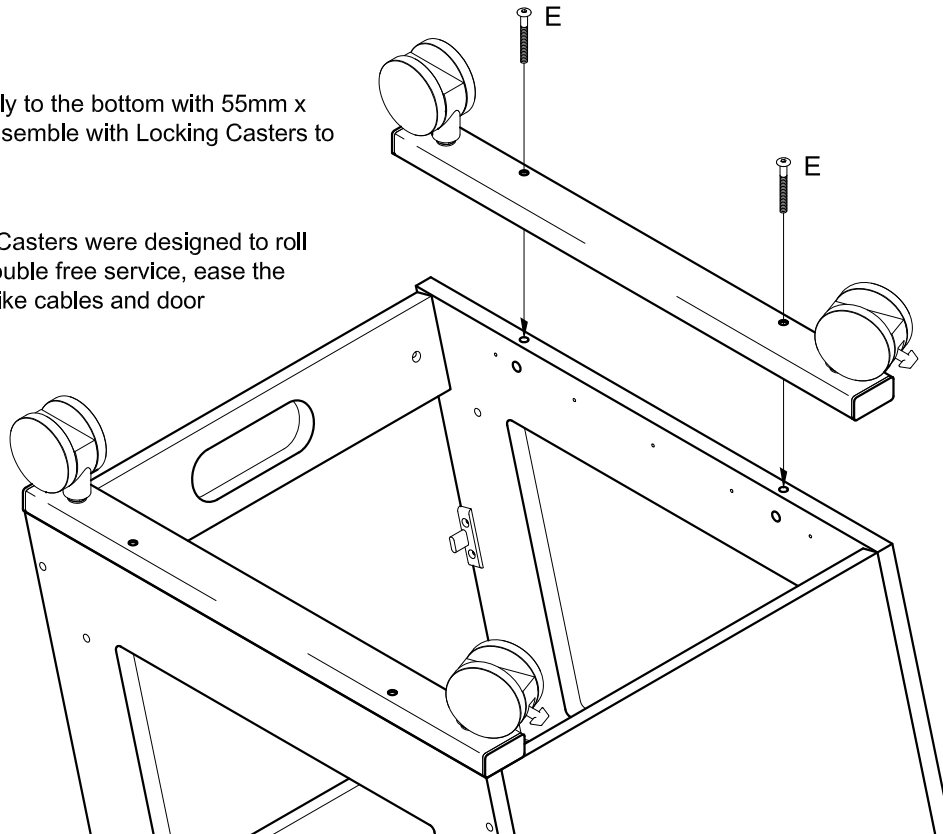


## Step 10

Attach the Steel Foot assembly to the bottom with 55mm x 1/4-20 Connector Bolts(E). Assemble with Locking Casters to the Front.

Note:

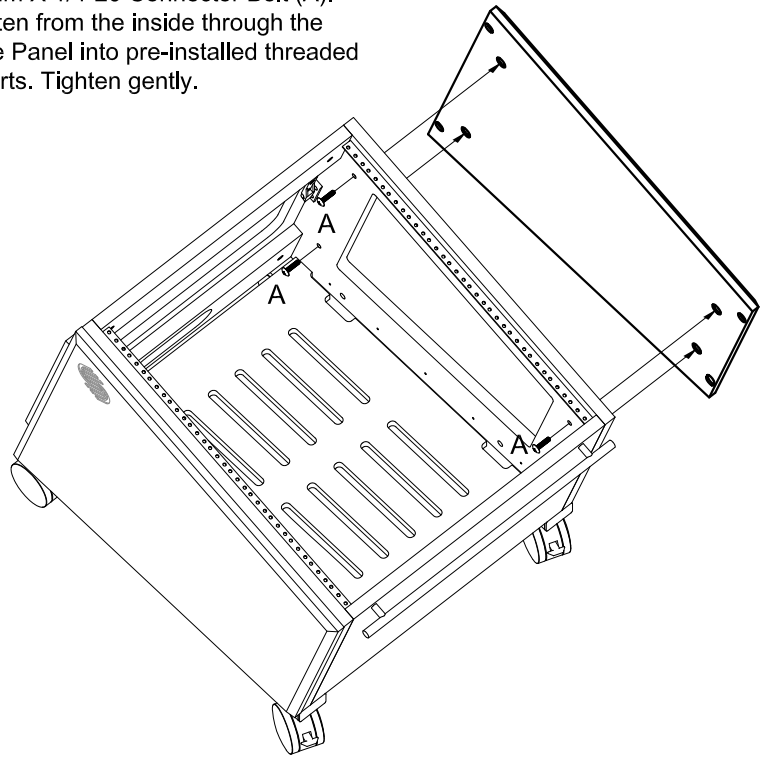
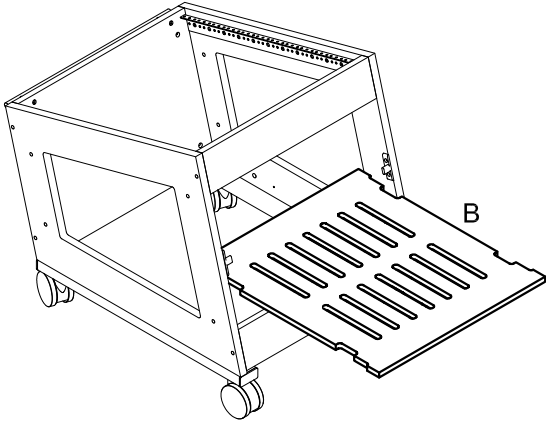
The mounted Steel Feet and Casters were designed to roll on flat surfaces. To ensure trouble free service, ease the casters over raised surfaces like cables and door thresholds.



# Step 11

Before Attaching the Finished End Panels, Install the slotted Bottom Panel(B) through the back opening as shown.

Attach both Finished End Panels with 30mm X 1/4-20 Connector Bolt (A). Fasten from the inside through the Side Panel into pre-installed threaded inserts. Tighten gently.



# Step 12

To attach the removable Fabric Panel. Press the Panel against the back Rails and Sides(A). Push downward(B) until locked in position(C).

