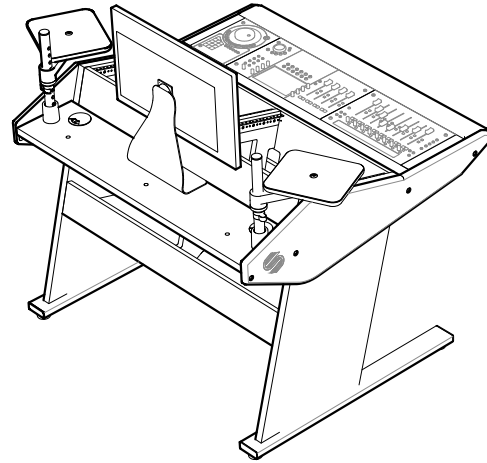
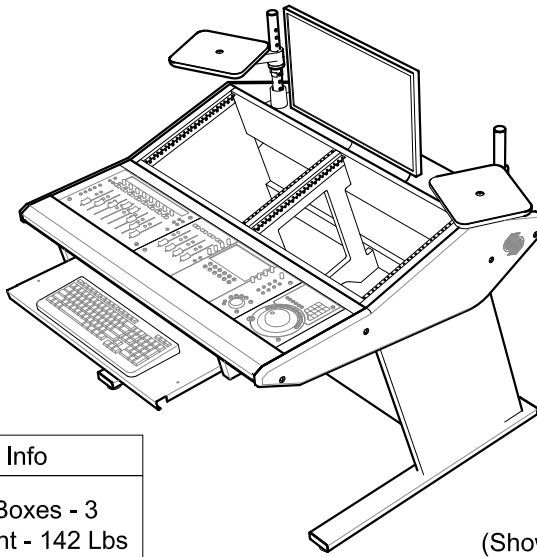


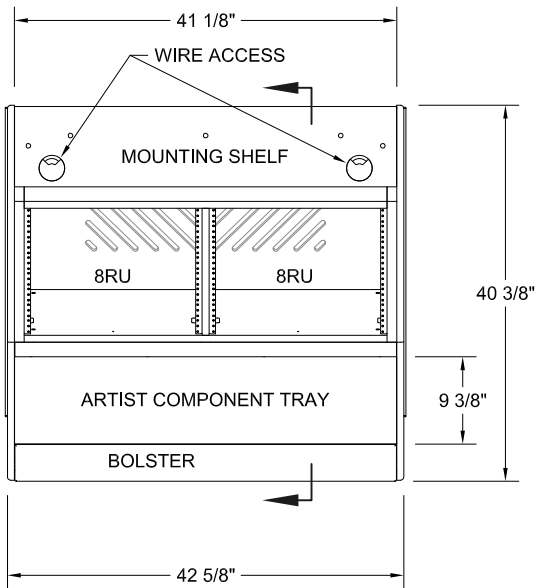
# Multi-Station 'Artist Series' 2 Bay - Console Specifications



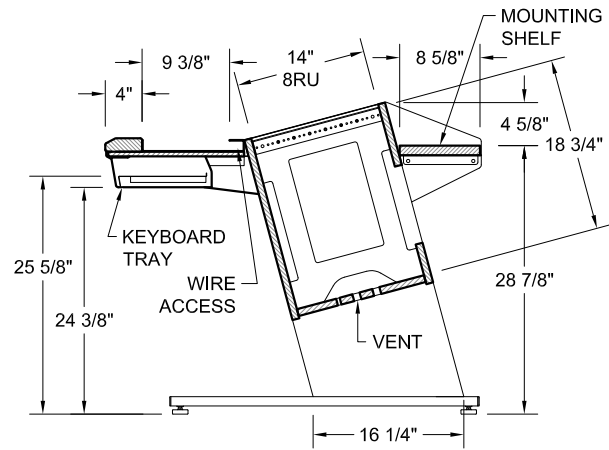
## Shipping Info

Number of Boxes - 3  
Shipping weight - 142 Lbs

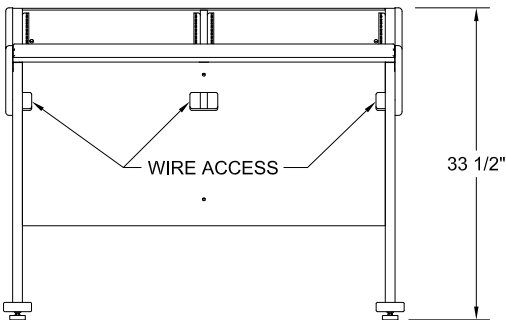
(Shown with optional speaker platforms and sliding keyboard tray.)



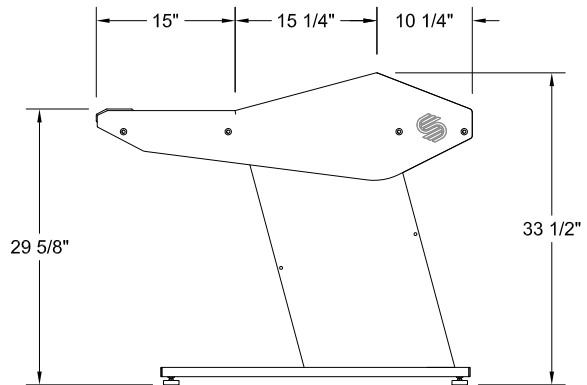
PLAN



SECTION



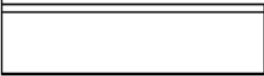


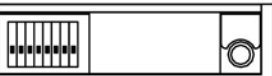
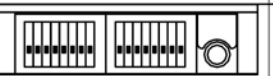
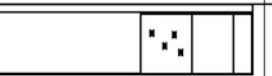
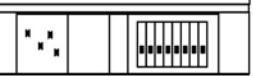
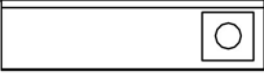
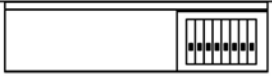
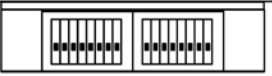

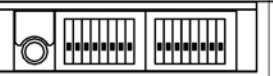




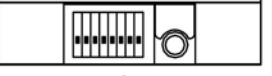
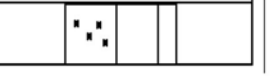
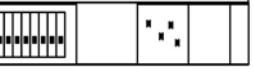
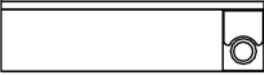



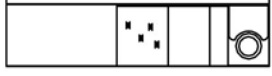
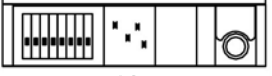
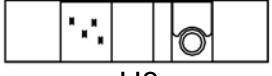
FRONT



RIGHT SIDE

# Multi - Station

# 2 Bay / Desk Options

| Flat Surface  | 1 Mix   | 2 Mix   | 1 Mix - 1 Transport  | 2 Mix - 1 Transport   | Control   | Control - 1 Mix   |
|---|---|---|--|---|---|---|
|   | <br>A1   | <br>B1   | <br>C1 | <br>D1 | <br>E1 | <br>F1 |
| Cranesong Avocet<br><br>Call<br>Dangerous SR Remote | <br>A2   | <br>B2   | <br>C2 | <br>D2 | <br>E2 | <br>F2 |
| <br>Call  |   | <br>B3   | <br>C3 |   | <br>E3 | <br>F3 |
| Transport   | Control - Transport   | Control-Mix-Transport   |  |   |   |   |
| <br>G1   | <br>H1  | <br>I1  |  |   |   |   |
| <br>G2  | <br>H2 | <br>I2 |  |   |   |   |
|   | <br>H3 |   |  |   |   |   |