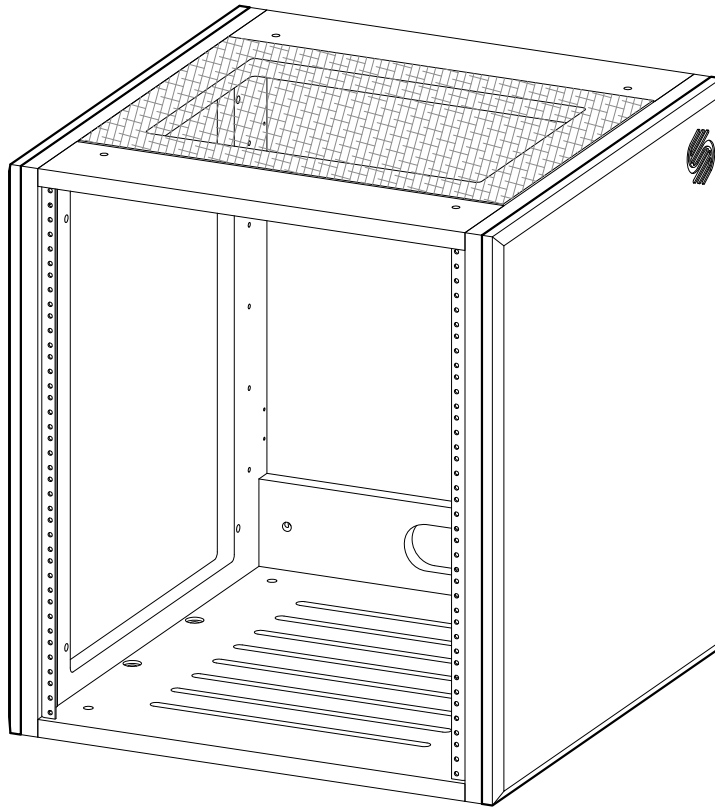


# Versa II Assembly Instructions - Finished End Panel



Thank you for your purchase from Sterling Modular Systems, Inc.  
We hope you have years of success with this finely engineered piece of furniture.

If you have any questions regarding assembly, missing or damaged pieces.  
Please contact us:

---

Telephone: 610-369-5802 (8am to 3pm EST)  
Email: [sales@sterlingmodular.com](mailto:sales@sterlingmodular.com)

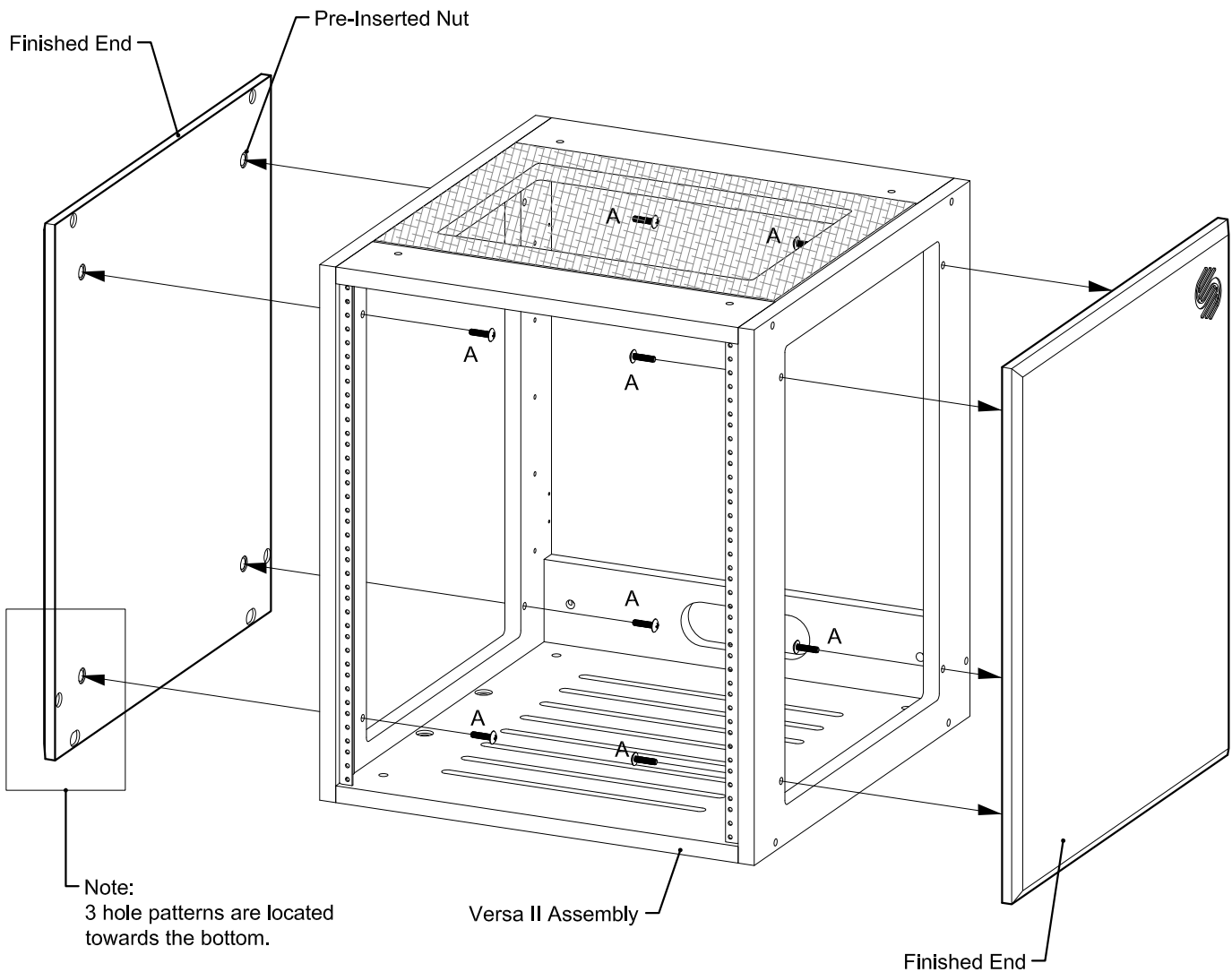
---

Thank You,  
Sterling Modular Systems, Inc.

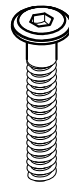


# Versa II Assembly Instructions - Finished End Panels

Attach the Finished End Panels with 30mm x 1/4-20 Connector Bolts (A) as shown.



## Hardware



30mm x 1/4-20 Connector Bolt  
Quantity - 8 Pcs.

