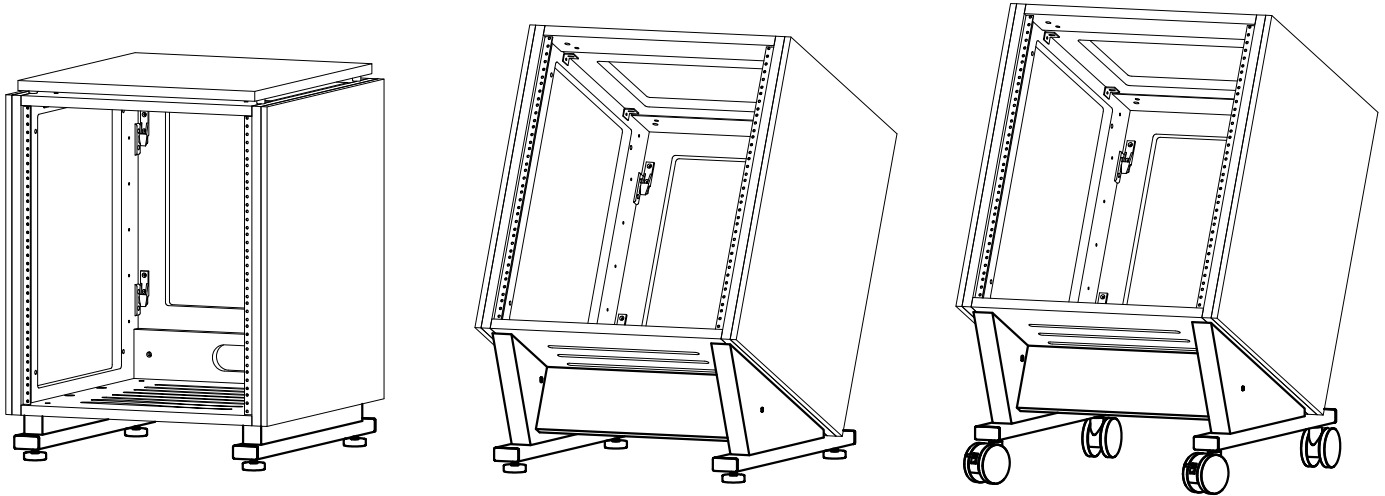


# Versa II Assembly Instructions - Base Kit



Thank you for your purchase from Sterling Modular Systems, Inc.  
We hope you have years of success with this finely engineered piece of furniture.

If you have any questions regarding assembly, missing or damaged pieces.  
Please contact us:

---

Telephone: 610-369-5802 (8am to 3pm EST)  
Email: [sales@sterlingmodular.com](mailto:sales@sterlingmodular.com)

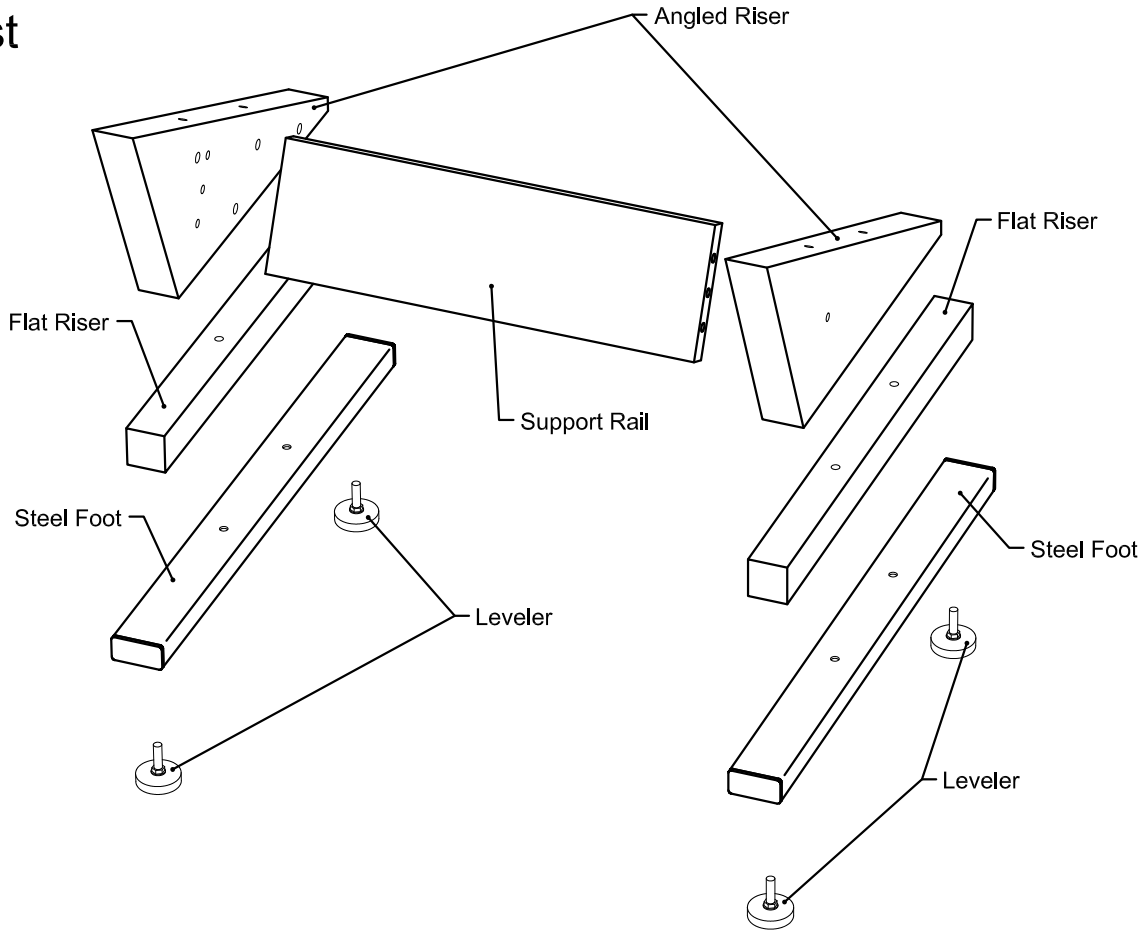
---

Thank You,  
Sterling Modular Systems, Inc.

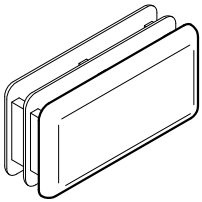


# Versa II Assembly Instructions - Base Kit

## Parts List



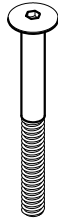
**Note:**  
Please unpack and organize all hardware prior to assembly.



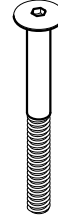
Plastic End Cap  
Quantity - 4 Pcs.



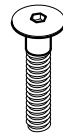
Black PVC Cap  
Quantity - 10 Pcs.



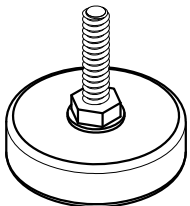
80mm x 1/4-20  
Connector Bolt  
Quantity - 2 Pcs.



80mm x 5/16-18  
Connector Bolt  
Quantity - 4 Pcs.



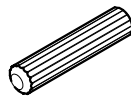
40mm x 5/16-18 Connector Bolt  
Quantity - 4 Pcs.



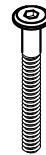
Leveler  
Quantity - 4 Pcs.



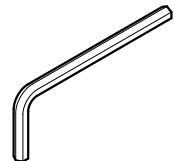
Connector Nut  
Quantity - 10 Pcs.



Wood Dowel  
Quantity - 4 Pcs.



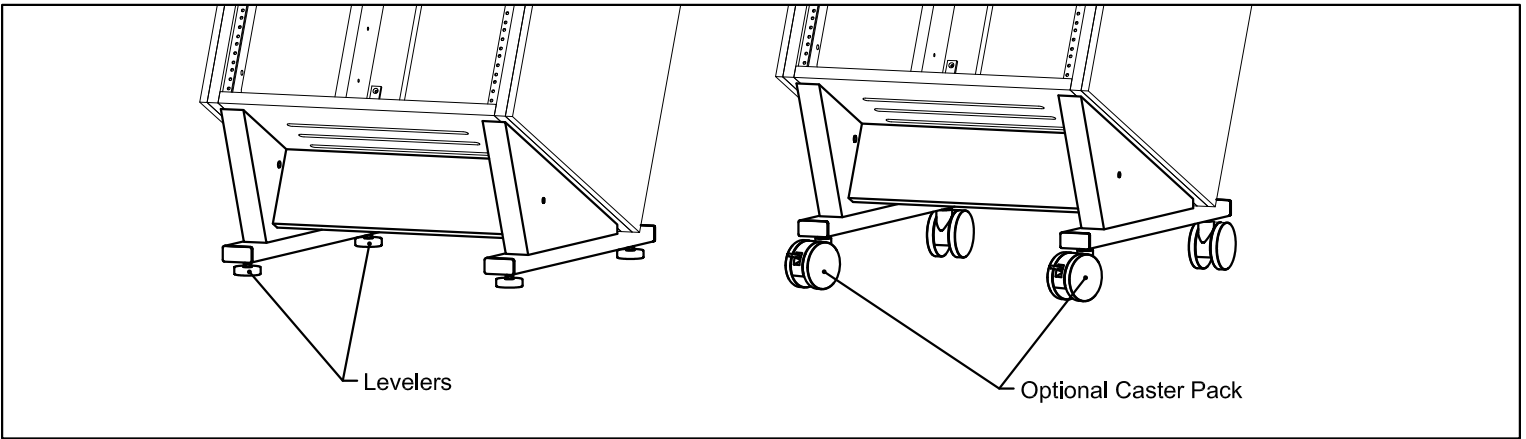
55mm x 1/4-20  
Connector Bolt  
Quantity - 8 Pcs.



5mm Allen Wrench  
Quantity - 1 Pc.



# Versa II Assembly Instructions - Angled Base with Levelers



## Step 1

Insert Plastic End Caps(A) into Steel Feet. Screw Levelers(B) into threaded inserts.

## Step 2

Place the Risers and Support Rail on a flat surface as shown. Insert Connector Nuts (C) in the holes with the slotted end facing up, and align as shown in Figure 2.

Insert Wooden Dowels (J) in the holes as shown.

## Step 3

Attach Feet to the Risers with 55mm x 1/4-20 Connector Bolts(D).

## Step 4

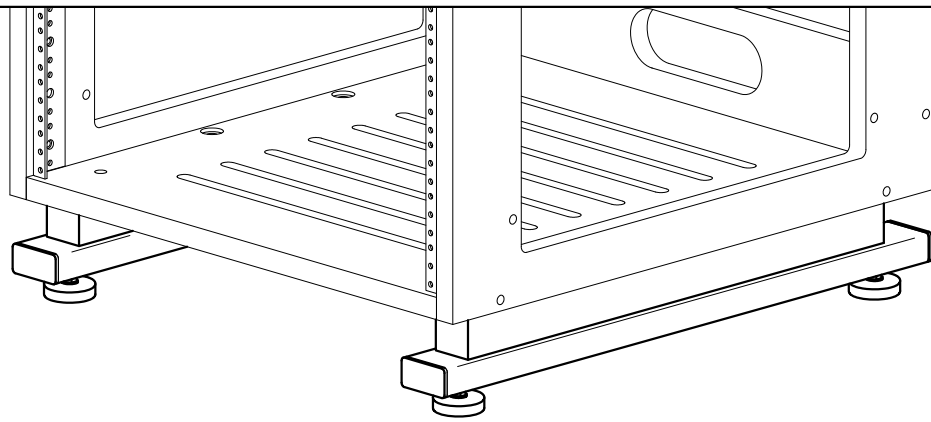
Attach the Riser to the Support Rails as shown with 80mm x 1/4-20 Connector Bolts (K).

Attach the Riser assembly to the Versa II base with 55mm x 1/4-20 Connector Bolts(E). Cover the bolt holes with Black PVC Caps.

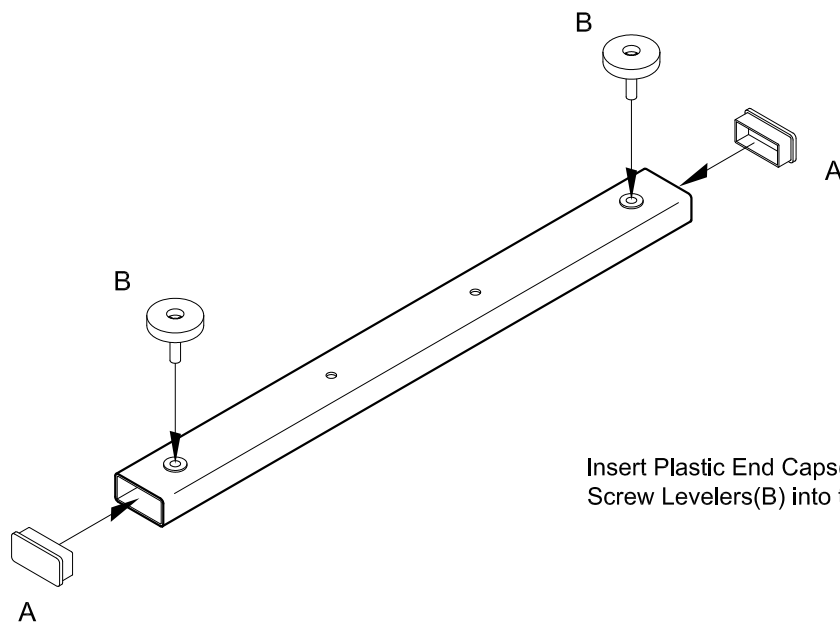


# Versa II Assembly Instructions - Flat Base with Levelers

## Assembled View

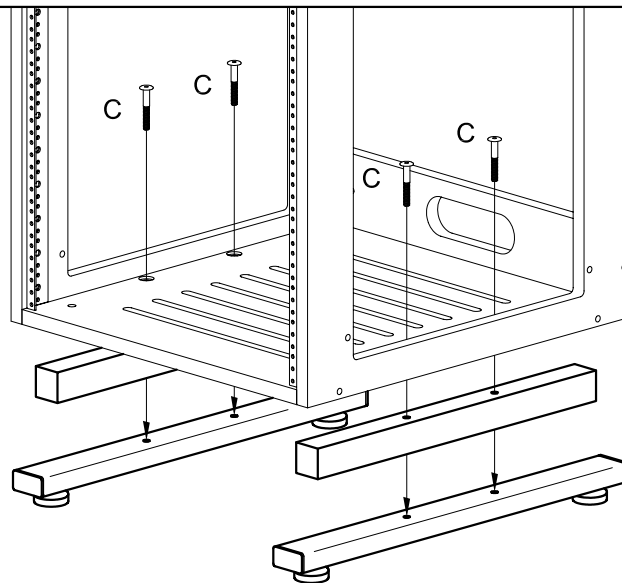


## Step 1



Insert Plastic End Caps(A) into Steel Feet.  
Screw Levelers(B) into threaded inserts.

## Step 2



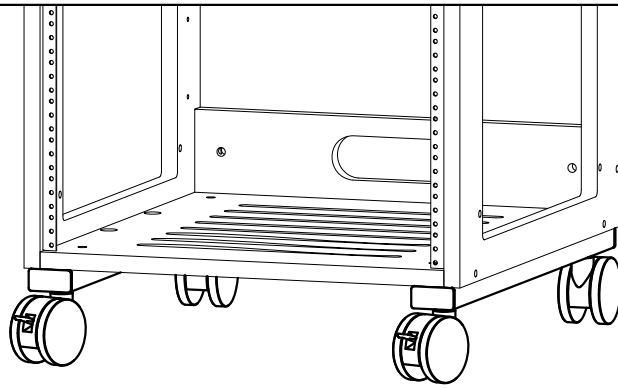
Attach the Steel Feet to the Versa II base  
through the Flat Riser with 80mm x 5/16-18  
Connector Bolts(C).



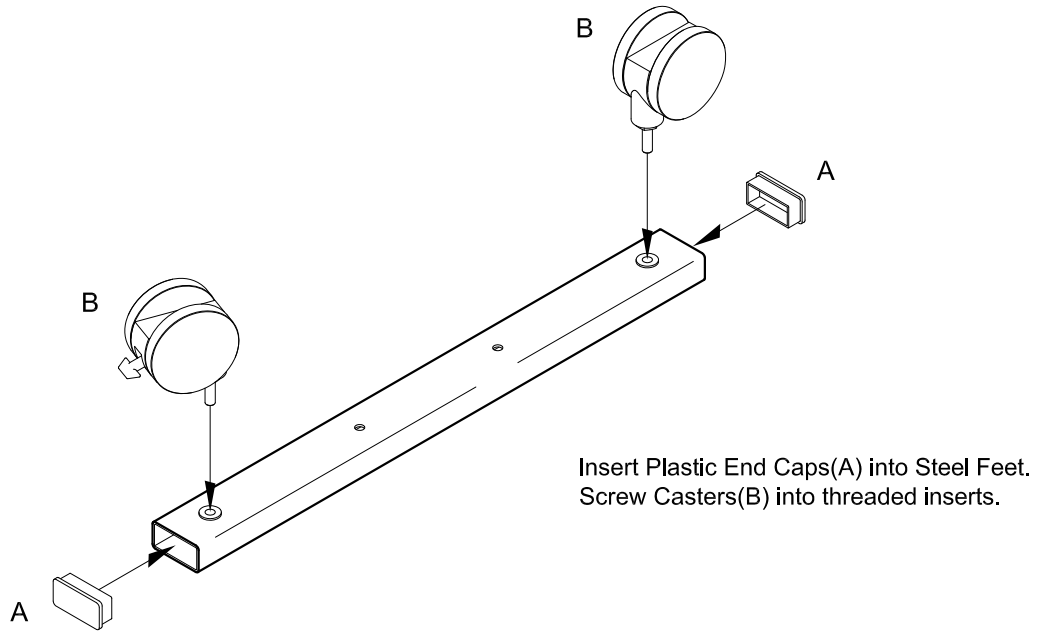
# Versa II Assembly Instructions - Steel Foot with (Optional) Casters

## Assembled View

With optional Caster Pack shown.



## Step 1



Insert Plastic End Caps(A) into Steel Feet.  
Screw Casters(B) into threaded inserts.

## Step 2

Attach the Steel Feet to the Versa II base  
with 40mm x 5/16-18 Connector Bolts(C).

Assemble with the Locking Casters  
facing the Front.

