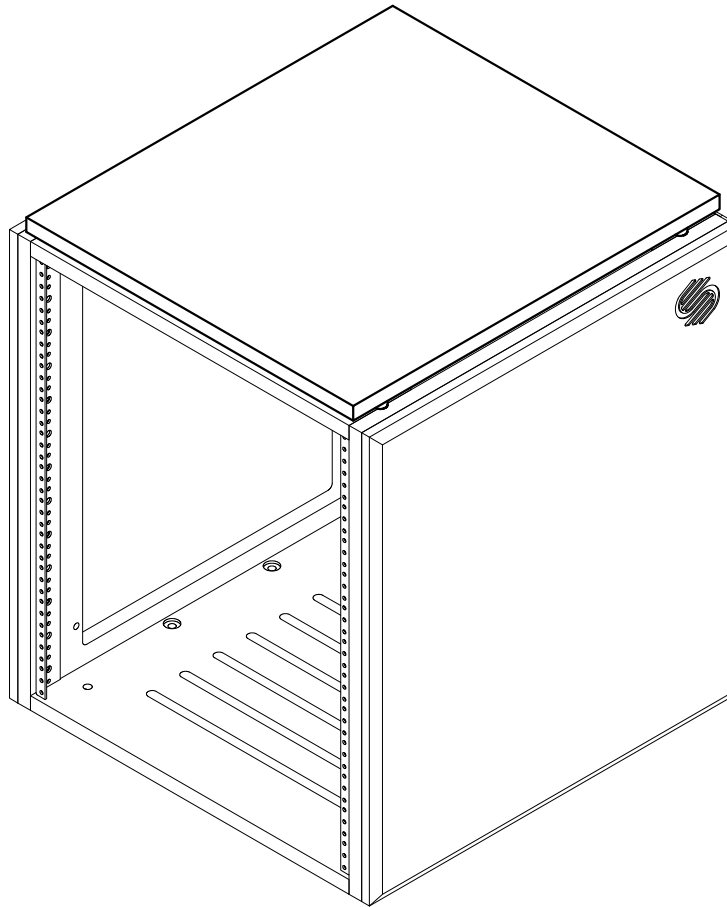


Versa II Assembly Instructions - Solid Flat Top



Thank you for your purchase from Sterling Modular Systems, Inc.
We hope you have years of success with this finely engineered piece of furniture.

If you have any questions regarding assembly, missing or damaged pieces.
Please contact us:

Telephone: 610-369-5802 (8am to 3pm EST)
Email: sales@sterlingmodular.com

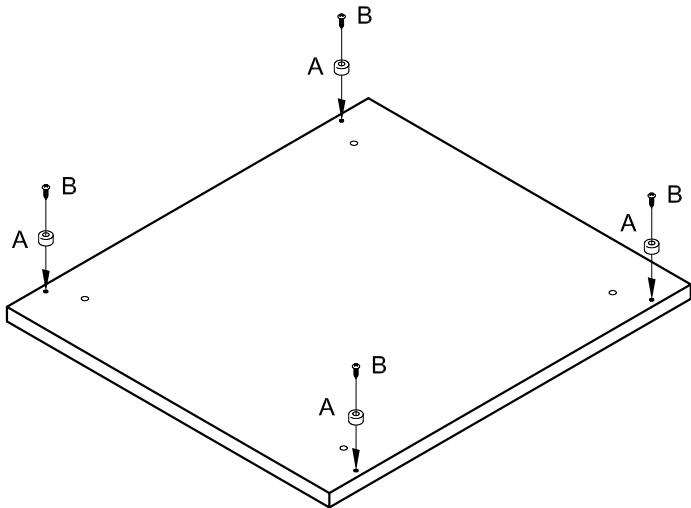
Thank You,
Sterling Modular Systems, Inc.



Versa II Assembly Instructions - Solid Flat Top

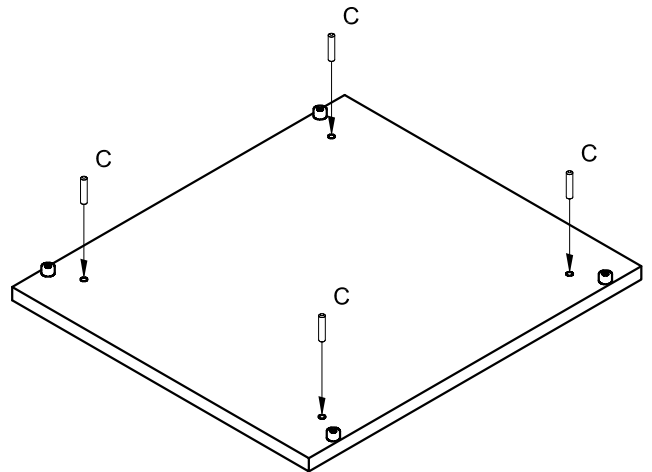
Step 1

Place the Solid Top on a flat surface with holes facing up. Attach the Rubber Bumpers(A) to the Top with #8 x 5/8" Pan Head Screws(B).



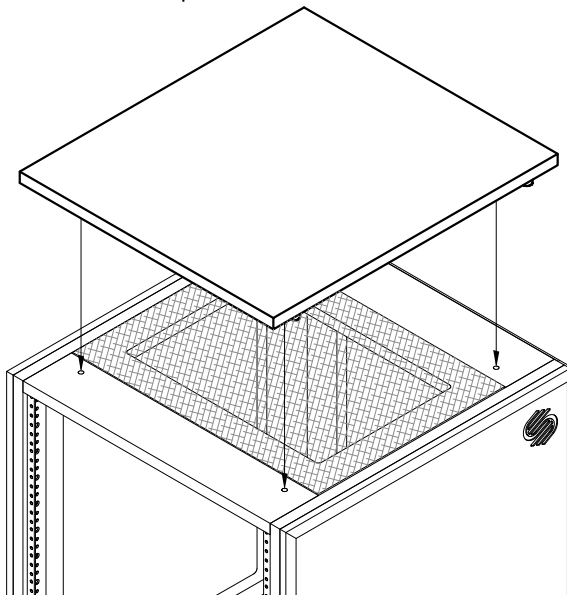
Step 2

Insert the Wood Dowels(C) into the Solid Top as shown.

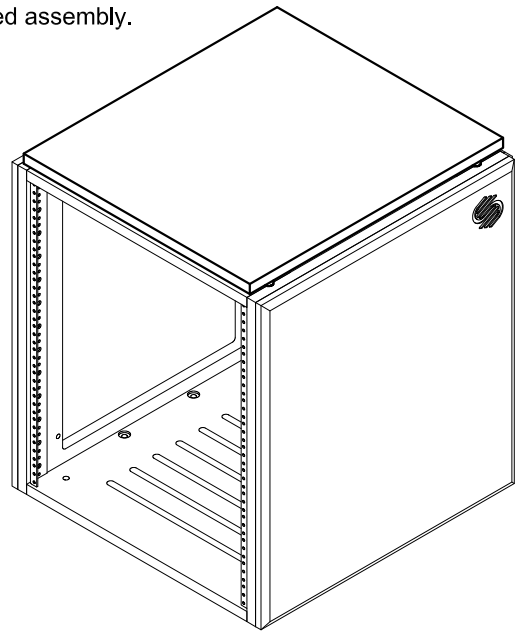


Step 3

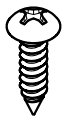
Align the Dowels in the Top with the pre-drilled holes in the Versa II. Press in place.



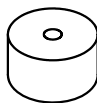
Completed assembly.



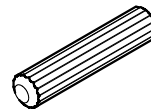
Hardware



#8 x 5/8" Pan Head Screw
Quantity - 4 Pcs.



Rubber Bumper
Quantity - 4 Pcs.



Wood Dowel
Quantity - 4 Pcs.

Note:
Please unpack and
organize all hardware
prior to assembly.

