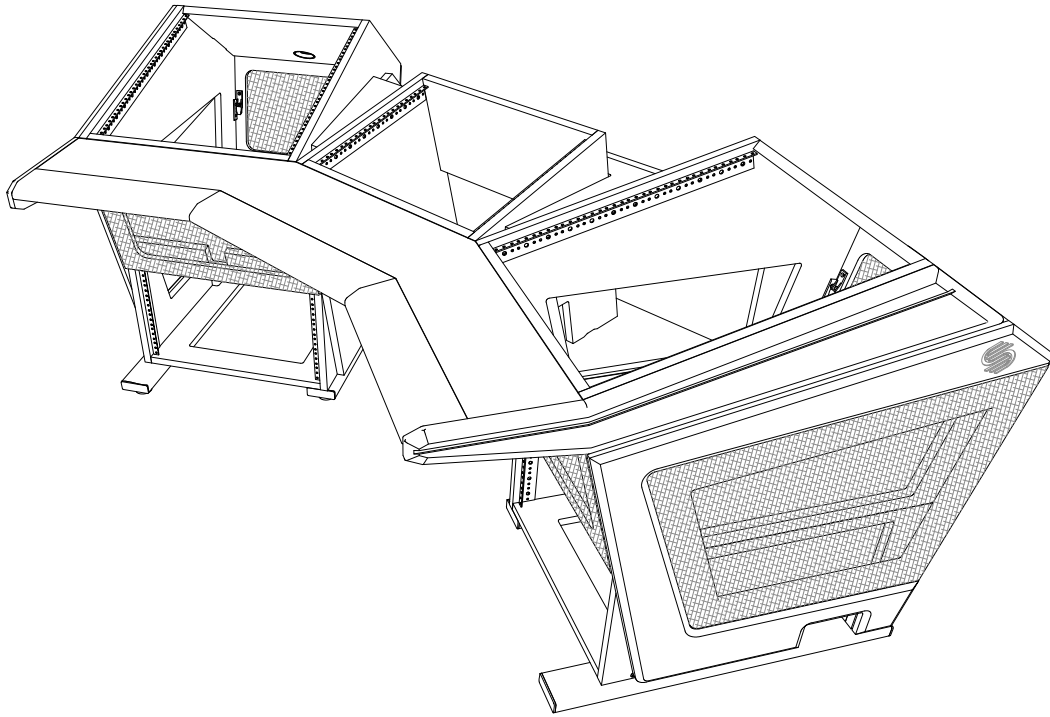


Plan E - Assembly Instructions



Thank you for your purchase from Sterling Modular Systems, Inc.
We hope you have years of success with this finely engineered piece of furniture.

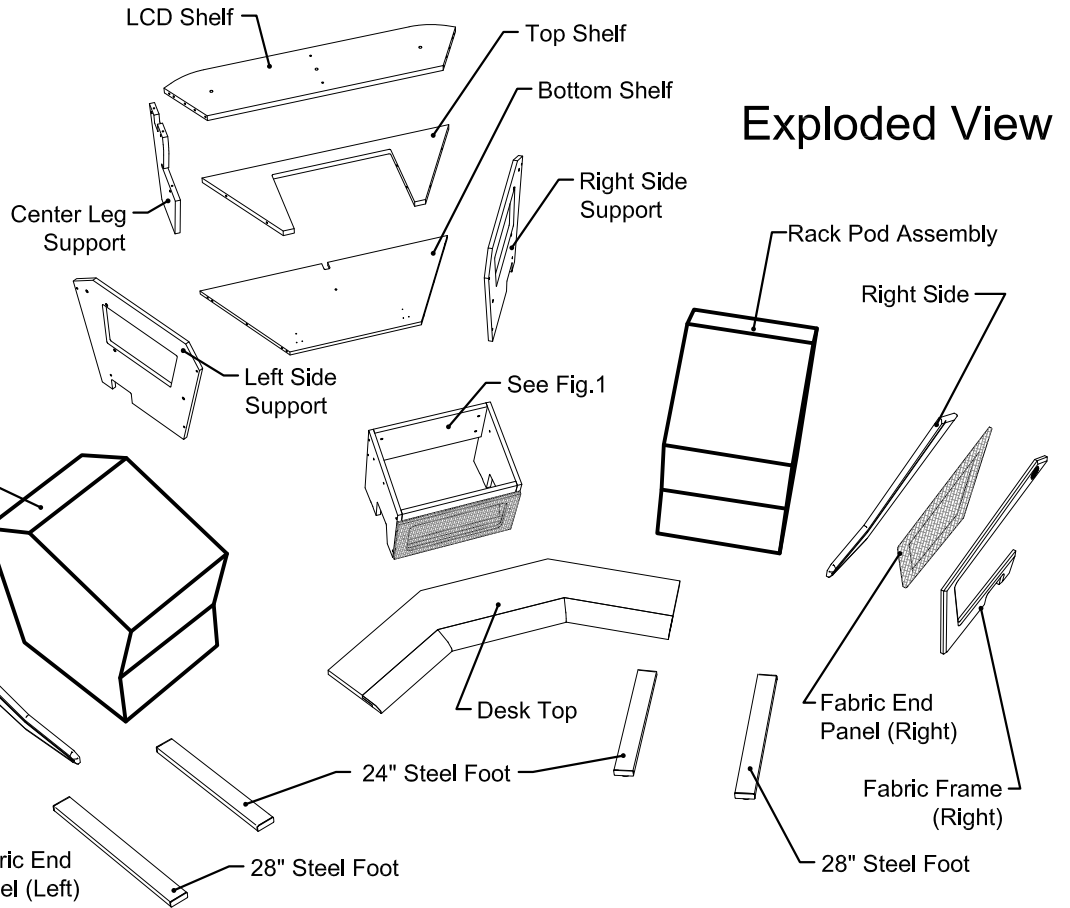
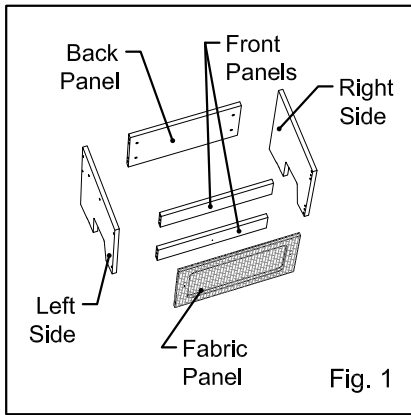
If you have any questions regarding assembly, missing or damaged pieces.
Please contact us:

Telephone: 610-369-5802 (8am to 3pm EST)
Email: sales@sterlingmodular.com

Thank You,
Sterling Modular Systems, Inc.

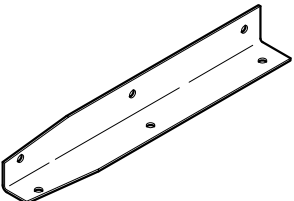



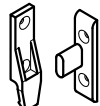

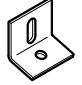
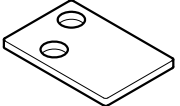


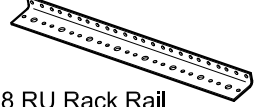

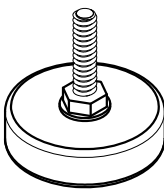
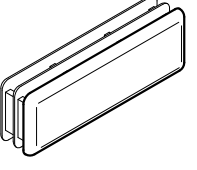

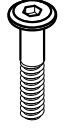
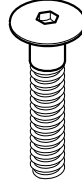
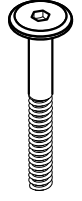


Components



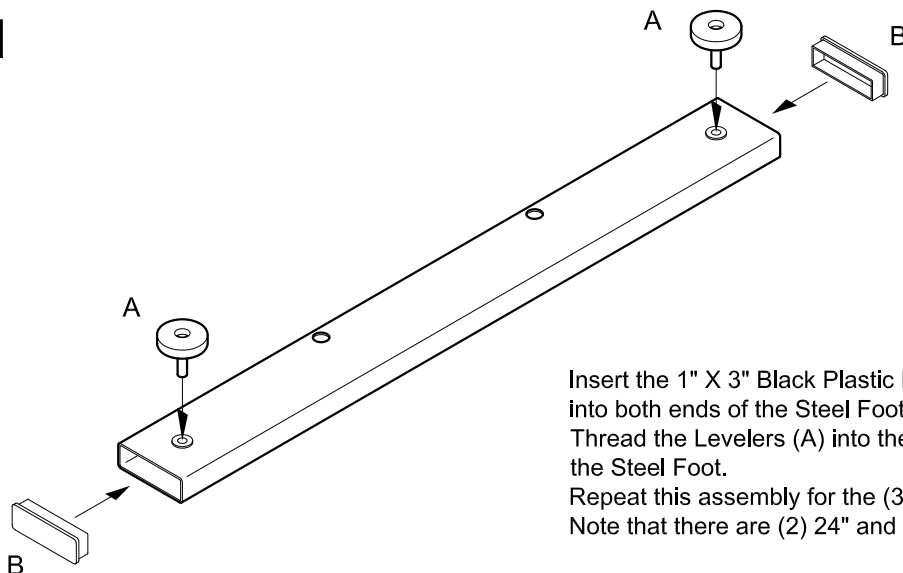
Hardware

Note: Please unpack and organize all components and hardware prior to assembly.

 Desk Top Bracket Quantity - 2 Pcs.	 #8 x 5/8" Pan Head Screw Quantity - 16 Pcs.	 5/32" Allen Wrench	 Black PVC Cap Quantity - 12 Pcs.	 Keku Clip Quantity - 2 Pair	 #8 x 1/2" Flat Head Screw Qty - 20 Pcs.	 Angle Bracket Quantity - 1 Pc.
	 Aluminum Tab Quantity - 6 Pcs.	 5mm Allen Wrench	 Connector Nut Quantity - 27 Pcs.	 8 RU Rack Rail Quantity - 2 Pcs.	 Varianta Screw Quantity - 8 Pcs.	
 Leveler Quantity - 9 Pcs.	 Black Plastic End Cap Quantity - 8 Pcs.	 Wood Dowel 28 Pcs.	 30mm x 1/4"-20 Connector Bolt Quantity - 24 Pcs.	 40mm x 5/16"-18 Connector Bolt Quantity - 8 Pcs.	 55mm x 1/4"-20 Connector Bolt Quantity - 27 Pcs.	



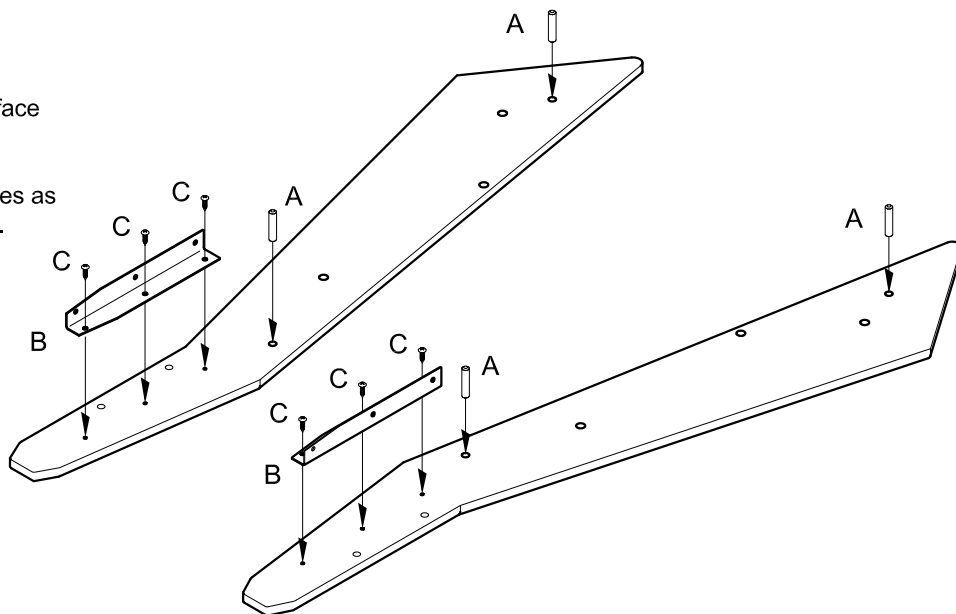
Step 1



Insert the 1" X 3" Black Plastic End Caps (B) into both ends of the Steel Foot.
Thread the Levelers (A) into the outer holes of the Steel Foot.
Repeat this assembly for the (3) remaining Feet.
Note that there are (2) 24" and (2) 28" Feet.

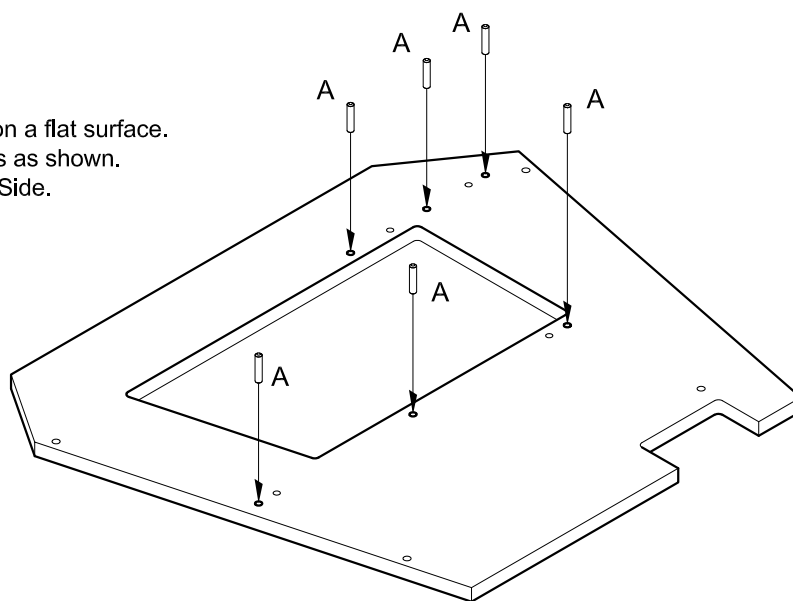
Step 2

Place the Right and Left Sides on a flat surface as shown.
Insert the Wood Dowels (A) into the Sides.
Attach the Desk Top Brackets (B) to the Sides as shown with #8 x 5/8" Pan Head Screws (C).



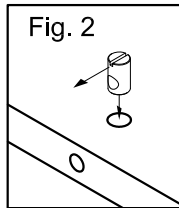
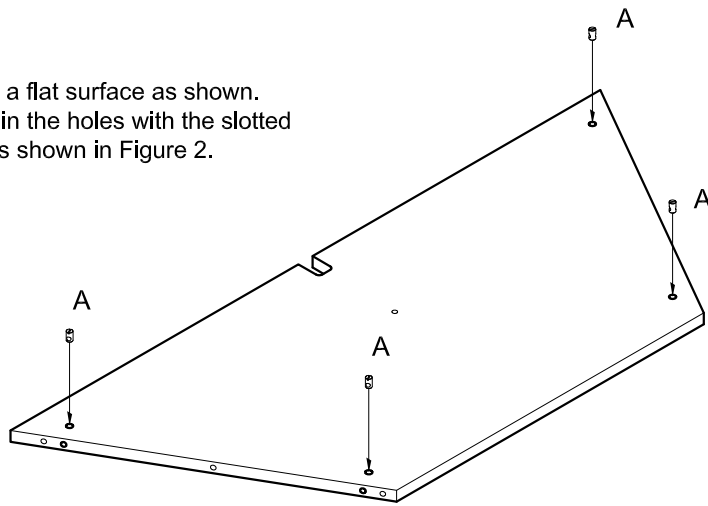
Step 3

Place the Left Side Support Panel on a flat surface.
Insert Wood Dowels (A) in the holes as shown.
Repeat this assembly for the Right Side.



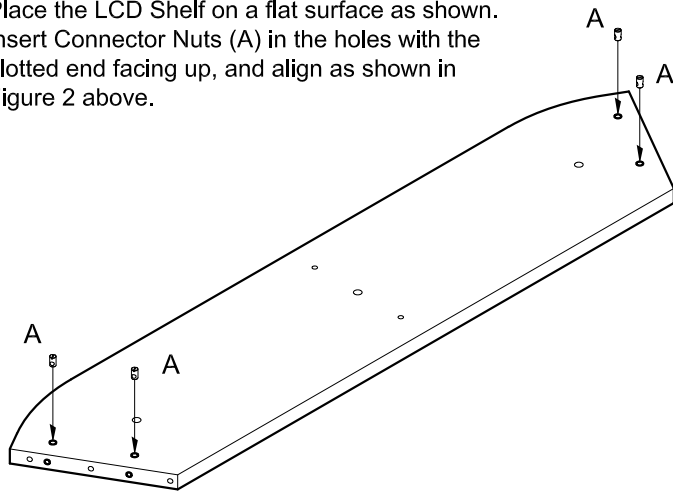
Step 4

Place the Bottom Shelf on a flat surface as shown. Insert Connector Nuts (A) in the holes with the slotted end facing up, and align as shown in Figure 2.



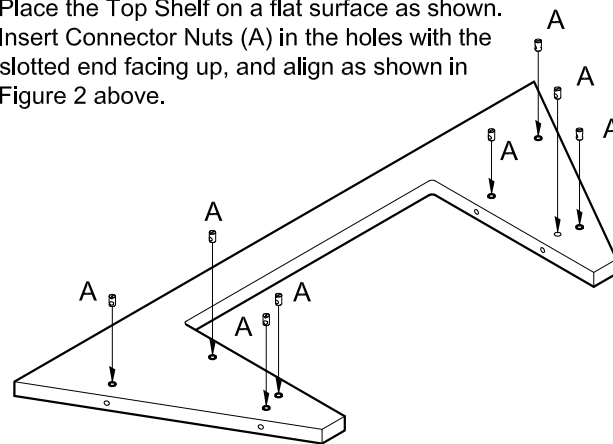
Step 5

Place the LCD Shelf on a flat surface as shown. Insert Connector Nuts (A) in the holes with the slotted end facing up, and align as shown in Figure 2 above.



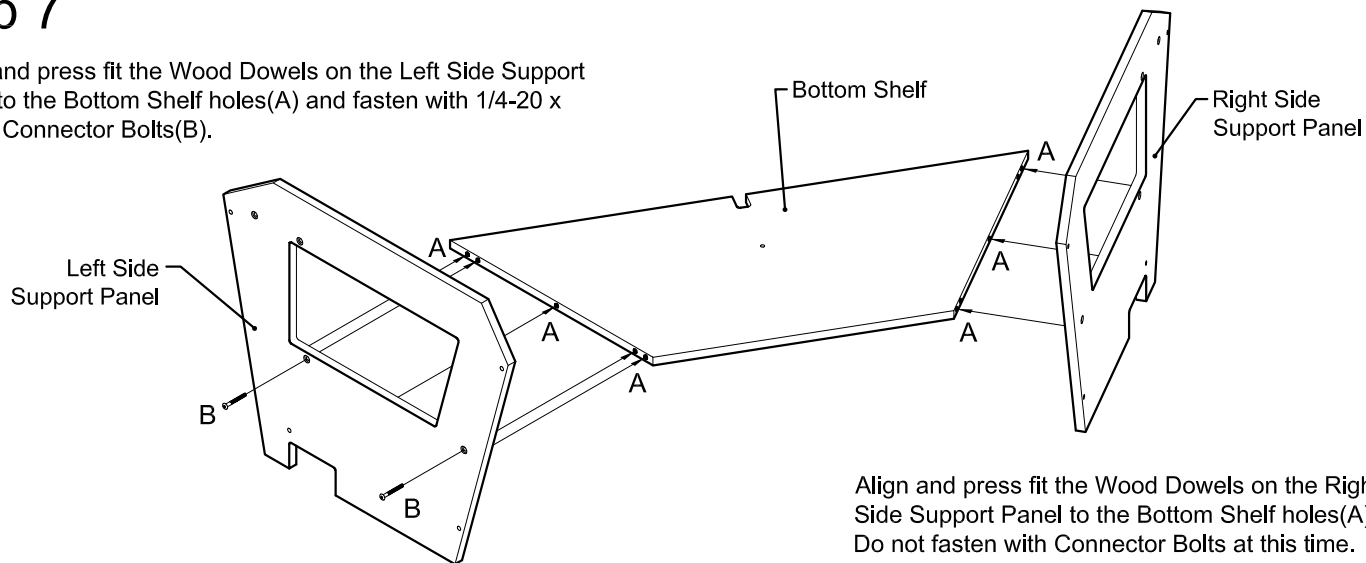
Step 6

Place the Top Shelf on a flat surface as shown. Insert Connector Nuts (A) in the holes with the slotted end facing up, and align as shown in Figure 2 above.



Step 7

Align and press fit the Wood Dowels on the Left Side Support Panel to the Bottom Shelf holes(A) and fasten with 1/4-20 x 55mm Connector Bolts(B).

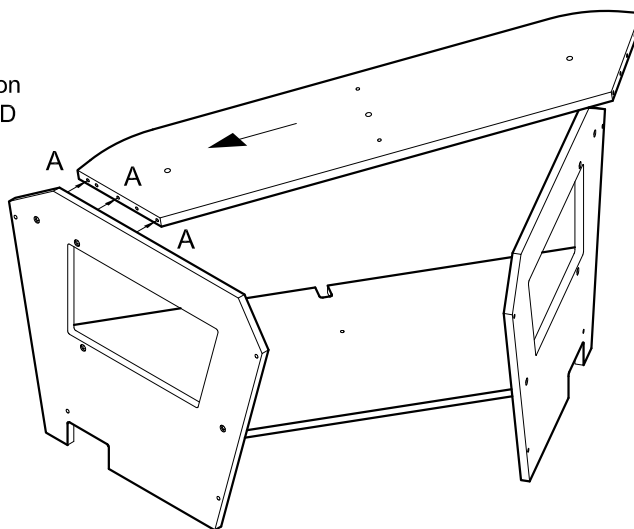


Align and press fit the Wood Dowels on the Right Side Support Panel to the Bottom Shelf holes(A). Do not fasten with Connector Bolts at this time.



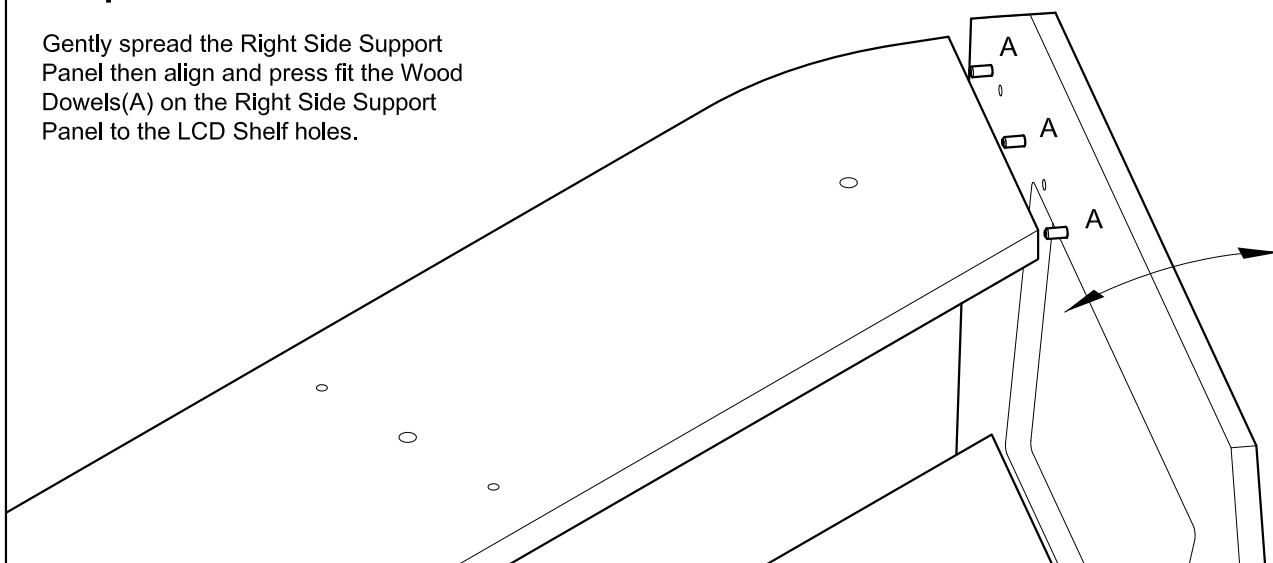
Step 8

Align and press fit the Wood Dowels on the Left Side Support Panel to the LCD Shelf holes(A)



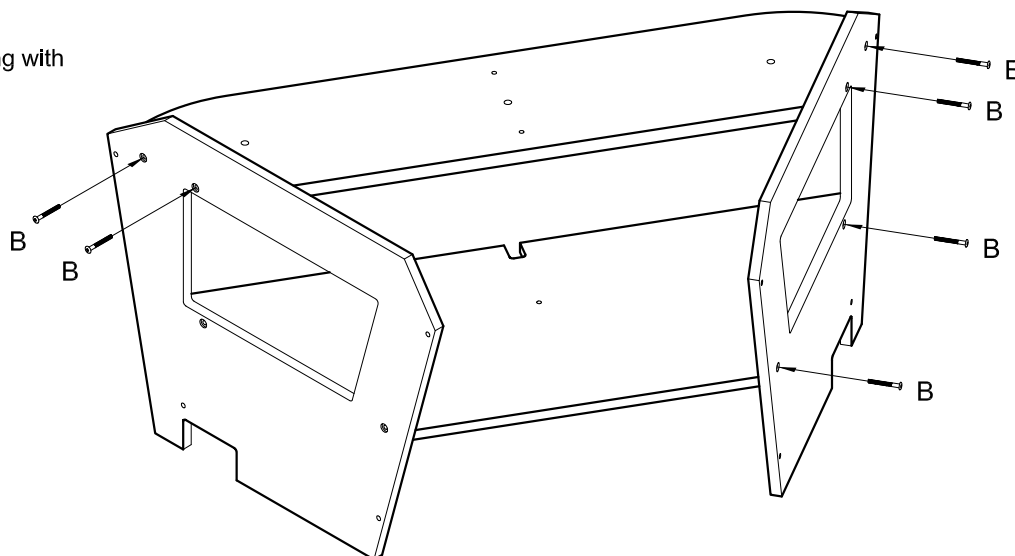
Step 9

Gently spread the Right Side Support Panel then align and press fit the Wood Dowels(A) on the Right Side Support Panel to the LCD Shelf holes.



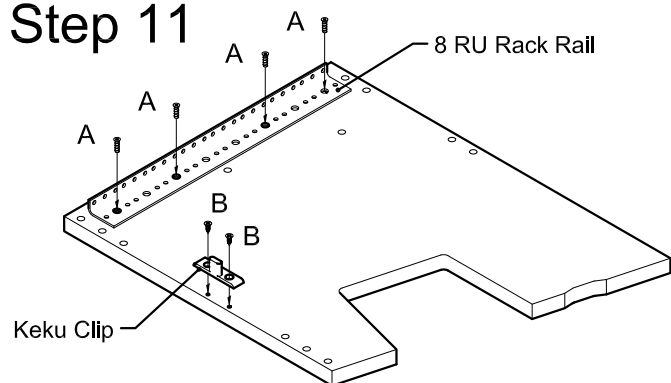
Step 10

Complete this assembly by fastening with 1/4-20 x 55mm Connector Bolts(B).



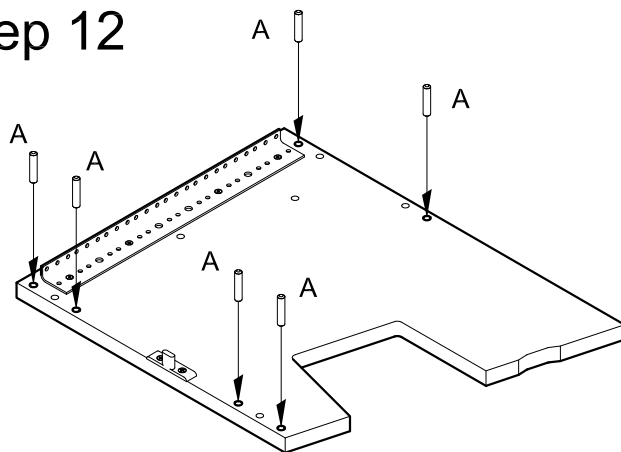
Center Rack Assembly

Step 11



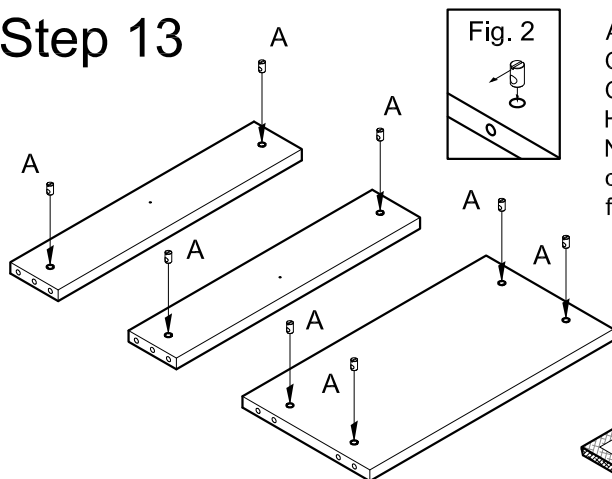
Place the Left Side on a flat surface as shown.
Fasten the 8 RU Rack Rail with Varianta Screws (A).
Fasten the Keku Clip with #8 x 1/2" Flat Head Screws (B).

Step 12



Insert the Wood Dowels (A) as shown.
Repeat steps 11 and 12 for the Right Side.

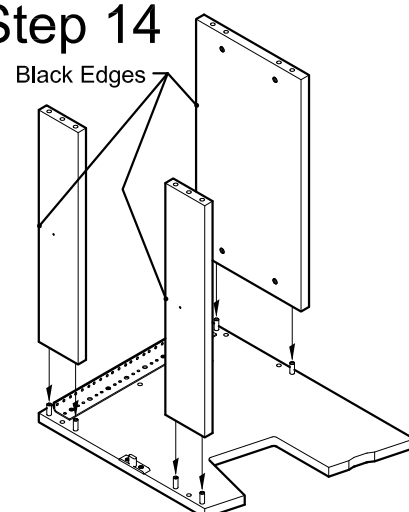
Step 13



Attach the Hook side of the Keku Clips to the back of the Fabric Covered Panel. Use #8 x 1/2" Flat Head Screws (B). Note that the "UP" label is at the top of the panel and the Keku hooks are facing down.

Place the Rear and Front Panels on a flat surface as shown. Insert Connector Nuts (A) in the holes with the slotted end facing up and align as shown in Figure 2.

Step 14

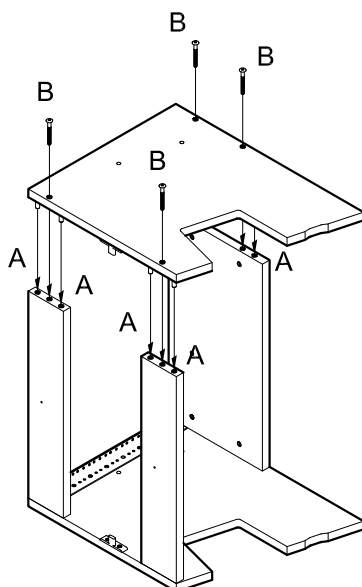


Align and press fit the Rear and Front Panels to the Left Side as shown.

Step 15

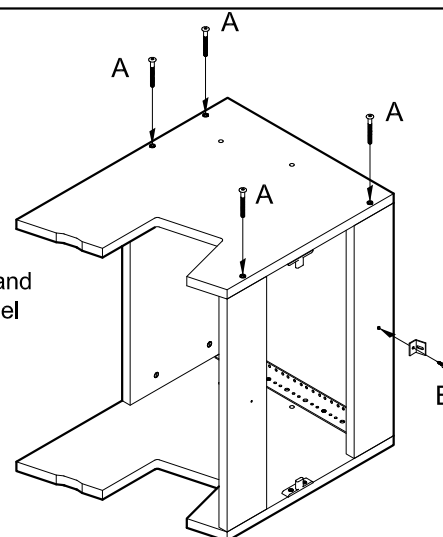
Align and press fit the Wood Dowels on the Right Side Panel to the holes on the Rear and Front Panels (A).

Fasten the Right Side Panel with 1/4-20 x 55mm Connector Bolts (B).



Step 16

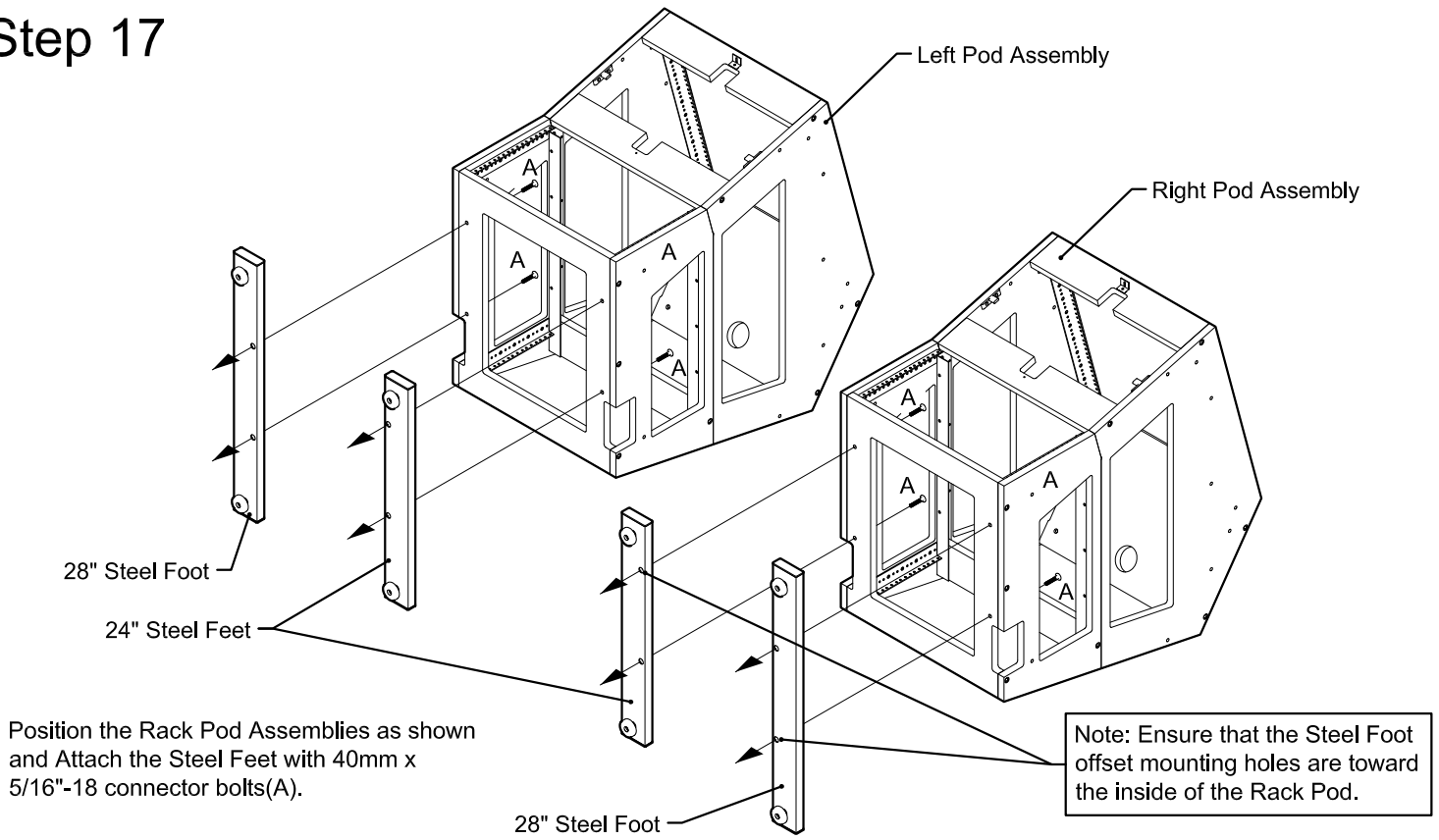
Flip the Assembly over and fasten the Left Side Panel with 1/4-20 x 55mm Connector Bolts (A).



Fasten the Angled Bracket to the Top Front Panel with a #8 x 5/8" Pan Head Screw (B).



Step 17

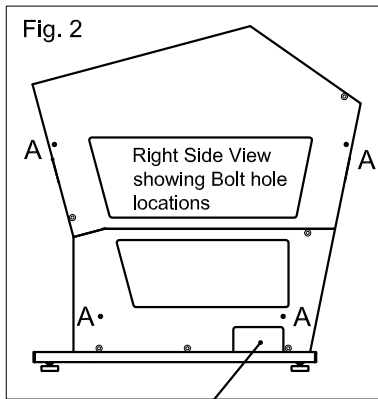
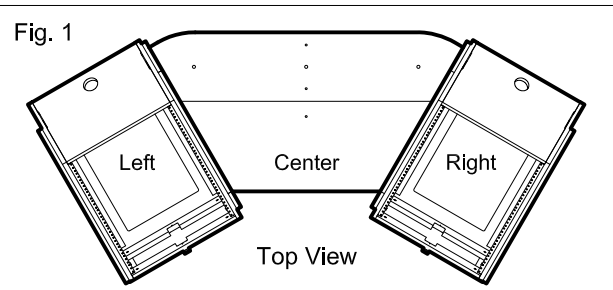


Position the Rack Pod Assemblies as shown and Attach the Steel Feet with 40mm x 5/16"-18 connector bolts(A).

Step 18

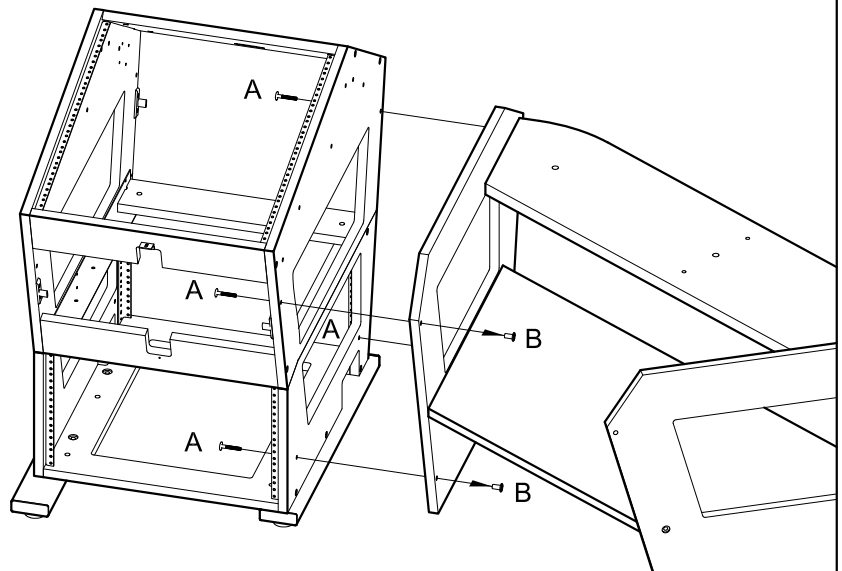
Position Both Pods and the Center Section as shown in Fig. 1. When aligned properly, the Center Section sides will rest on top of the Pods Steel Feet.

Note:
For this step it is recommended to have a helper. The size and weight of these items may prove to be difficult for one person.



Tip:
To aid in bolt hole alignment, match the lower cut-outs between sections.

Fasten the Pods to the Center Section using 30mm x 1/4"-20 connector bolts(A) through the inside of the Pods and fasten with 17mm Tube Nuts(B).



Step 19

Place the Center Leg Support on a flat surface as shown. Insert Connector Nuts (A) in the holes with the slotted end facing up, and align as shown in Figure 2. Thread Leveler (B) into the bottom of the leg as shown.

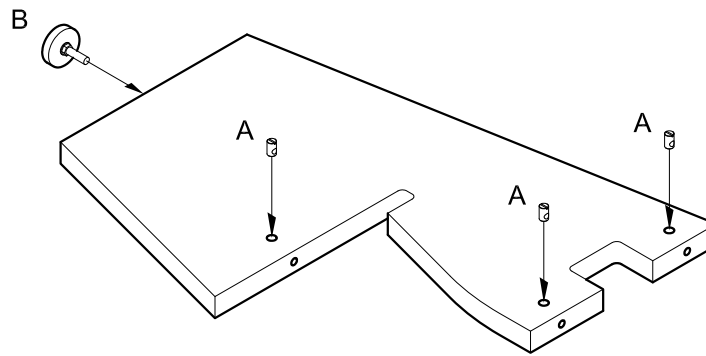
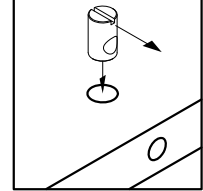
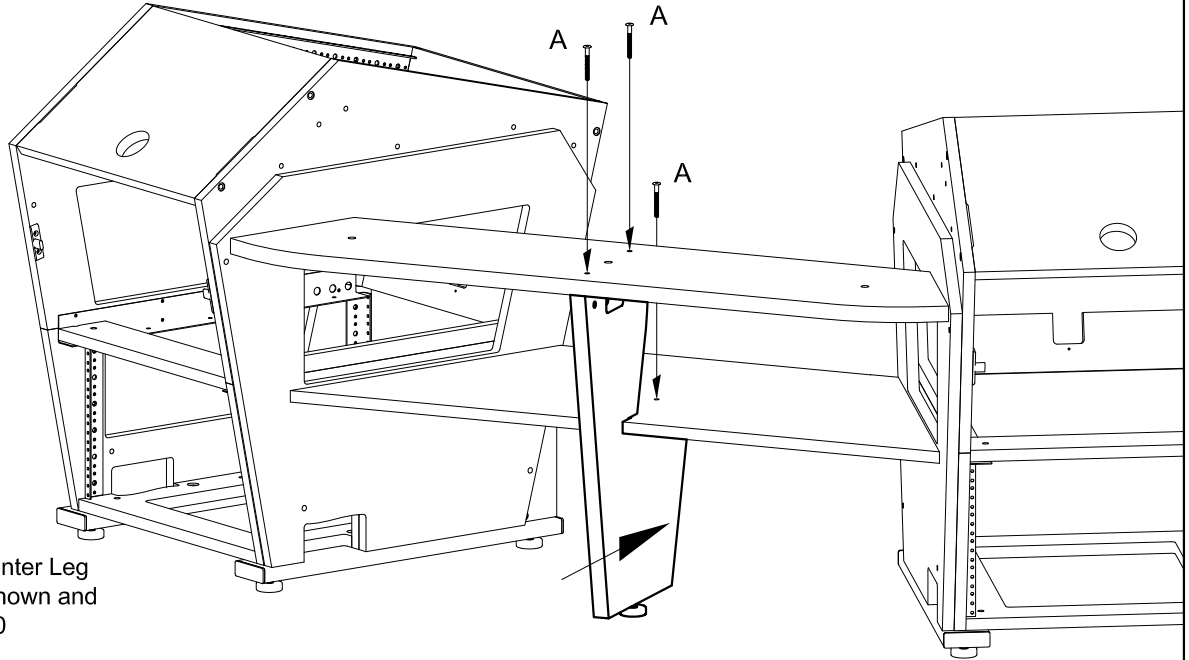


Fig. 2



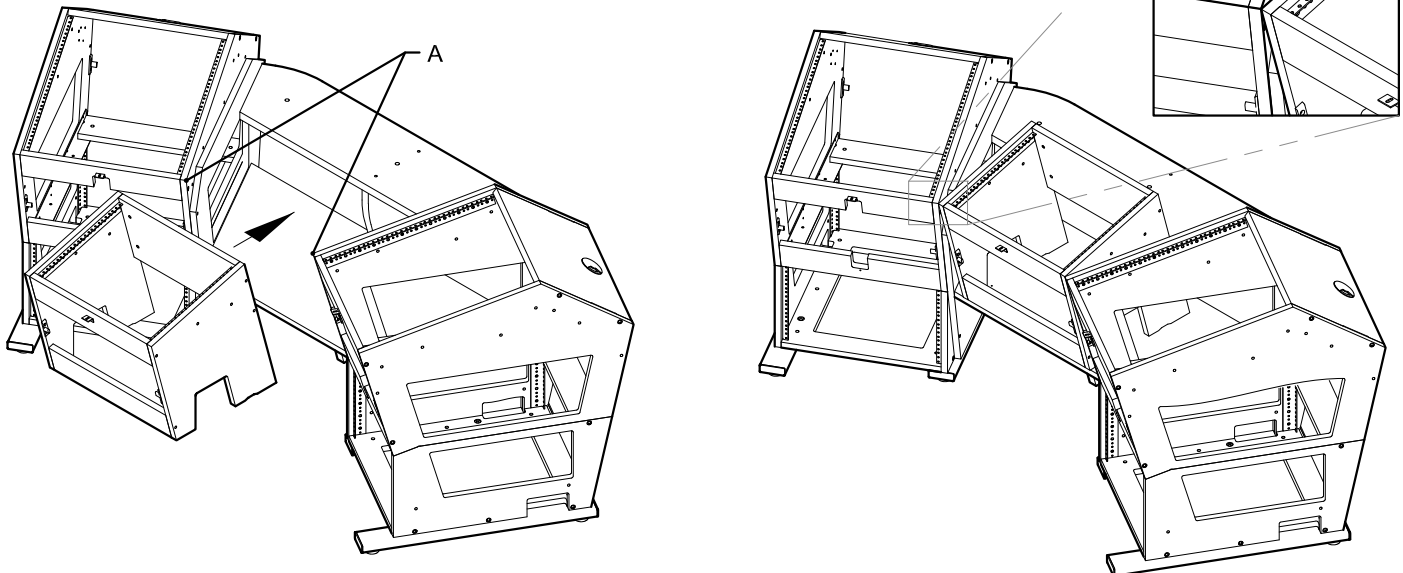
Step 20

From the rear, slide the Center Leg Support into the position shown and fasten with 55mm x 1/4"-20 Connector Bolts (A).



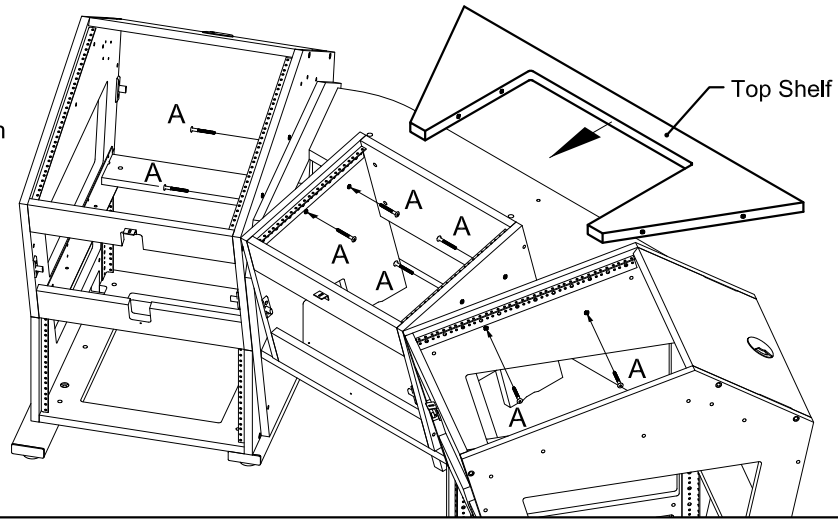
Step 21

Place the Center Rack Unit onto the center assembly as shown. This is a snug fit and care should be taken not to damage the Pod front corners (A).



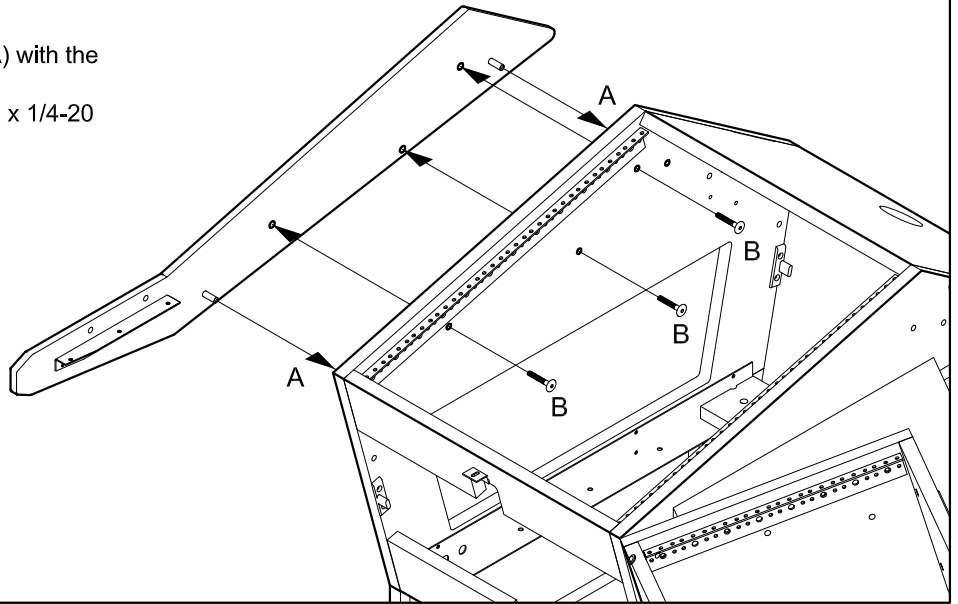
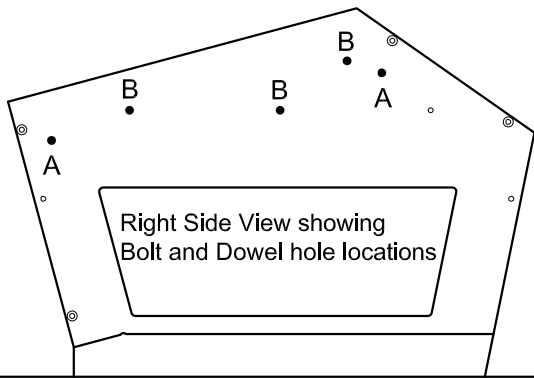
Step 22

Attach the Top Shelf to the Pods. Fasten from inside the Pod and Center Rack with 55mm x 1/4-20 Connector Bolts(A).



Step 23

Attach the Left Side by aligning the Wood Dowels(A) with the proper holes, and press fit onto the Rack Pod Side. Fasten the Left Side from inside the Pod with 30mm x 1/4-20 Connector Bolts(B). Repeat this for the Right Side.

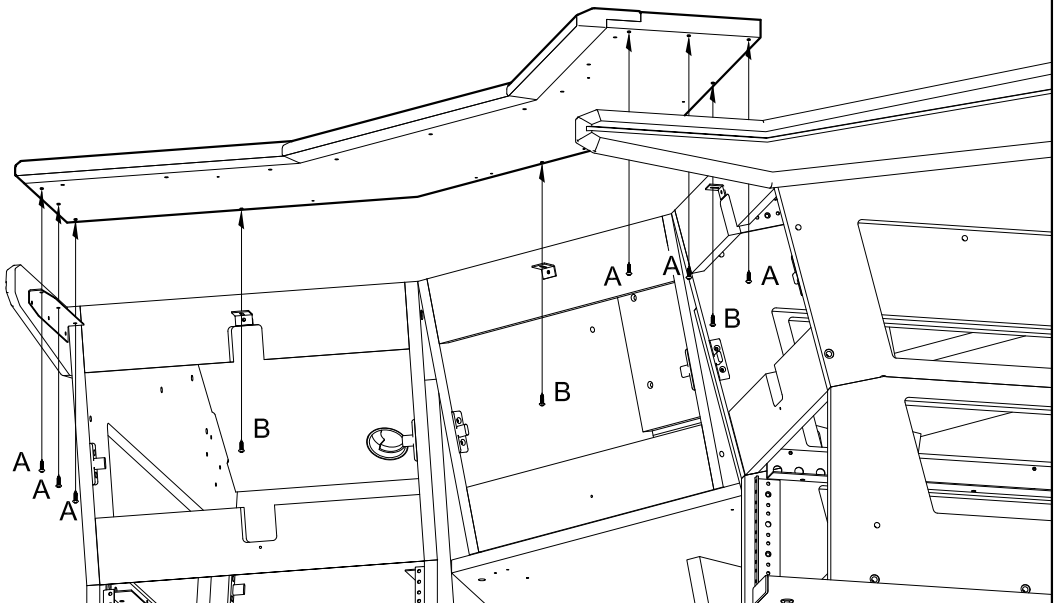


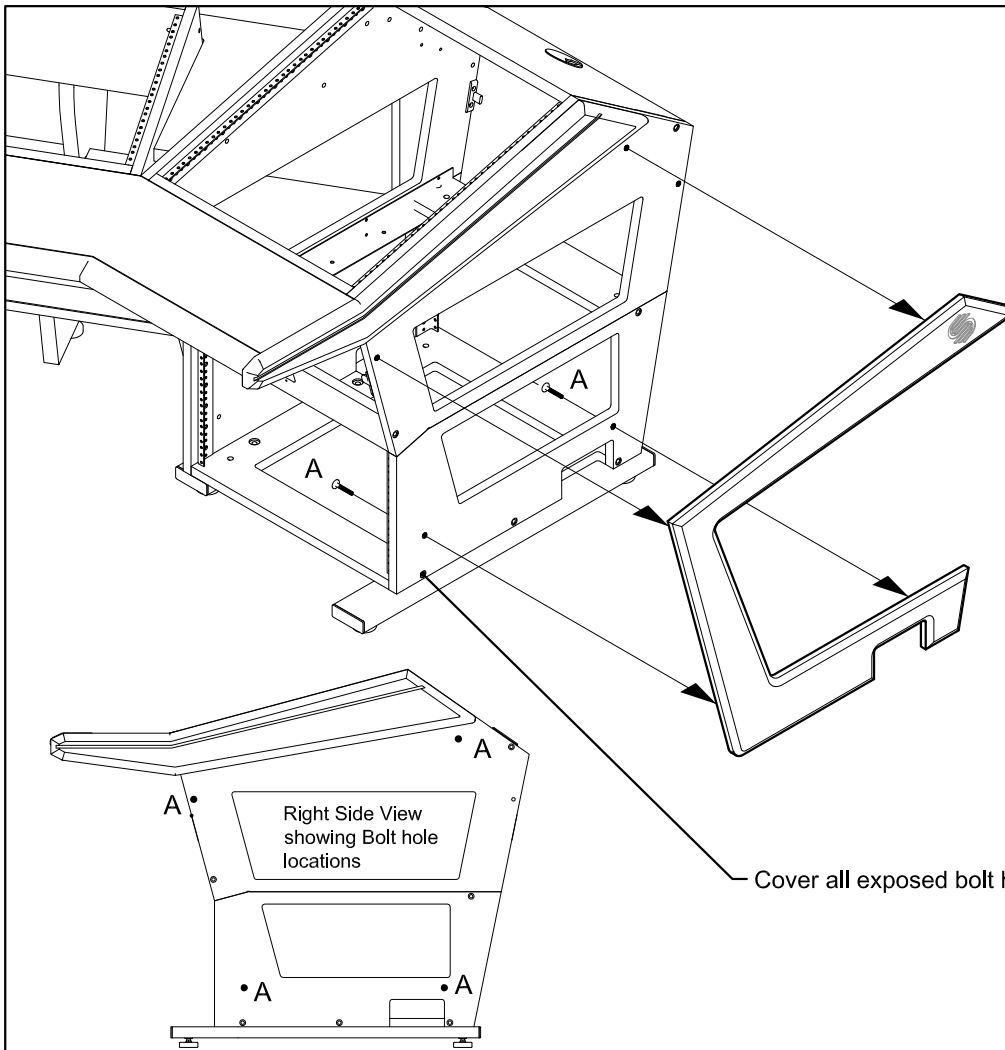
Step 24

Place the Desk Top onto the Desk Top Brackets as shown.

Align Desk Top with Bracket Holes and fasten with #8 x 5/8" Pan Head Screws(A).

Fasten the Desk Top to the Center Angle Brackets with #8 x 5/8" Pan Head Screws(B).





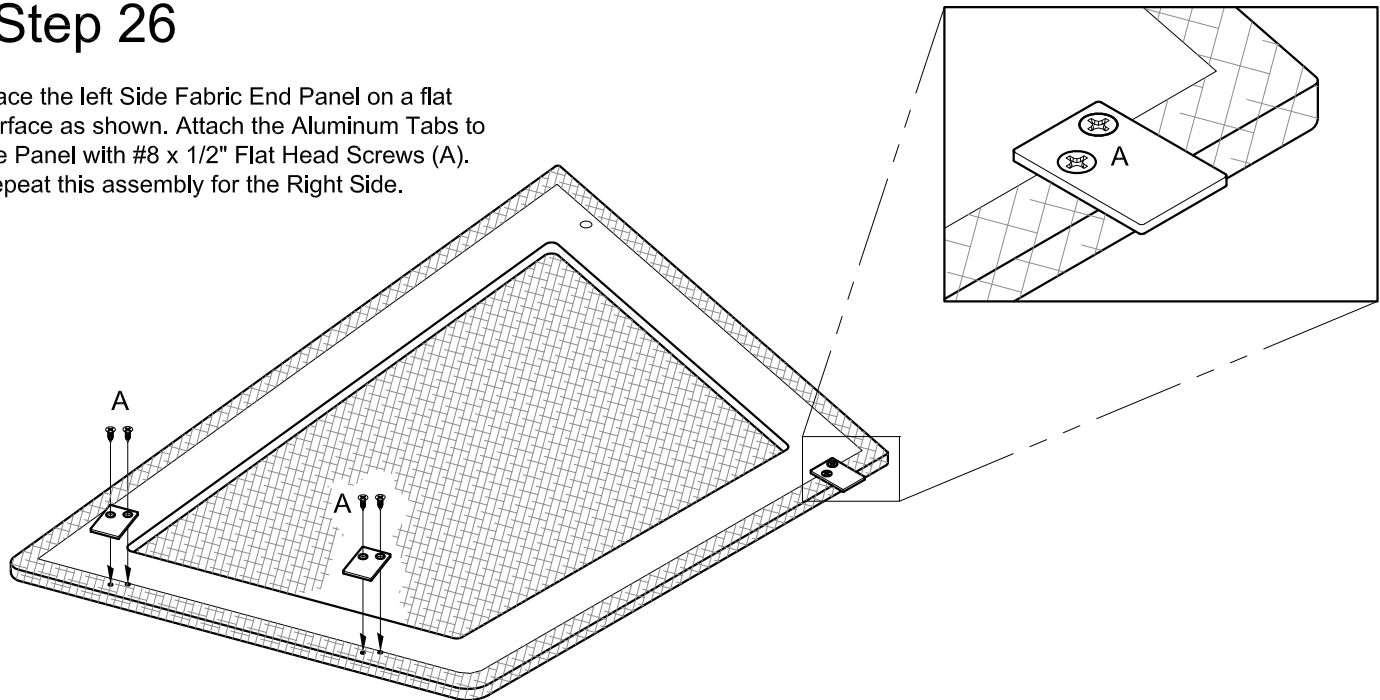
Step 25

Attach the Fabric End Frames by aligning with the proper holes, and fastening the Panels from the inside with 30mm x 1/4-20 Connector Bolts(A).

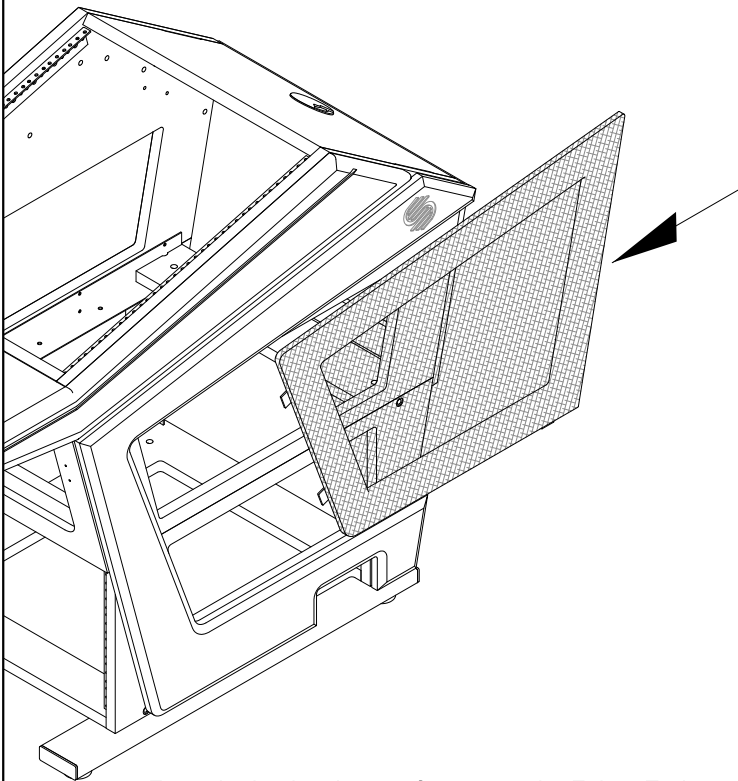
Cover all exposed bolt holes with Black PVC Caps.

Step 26

Place the left Side Fabric End Panel on a flat surface as shown. Attach the Aluminum Tabs to the Panel with #8 x 1/2" Flat Head Screws (A). Repeat this assembly for the Right Side.

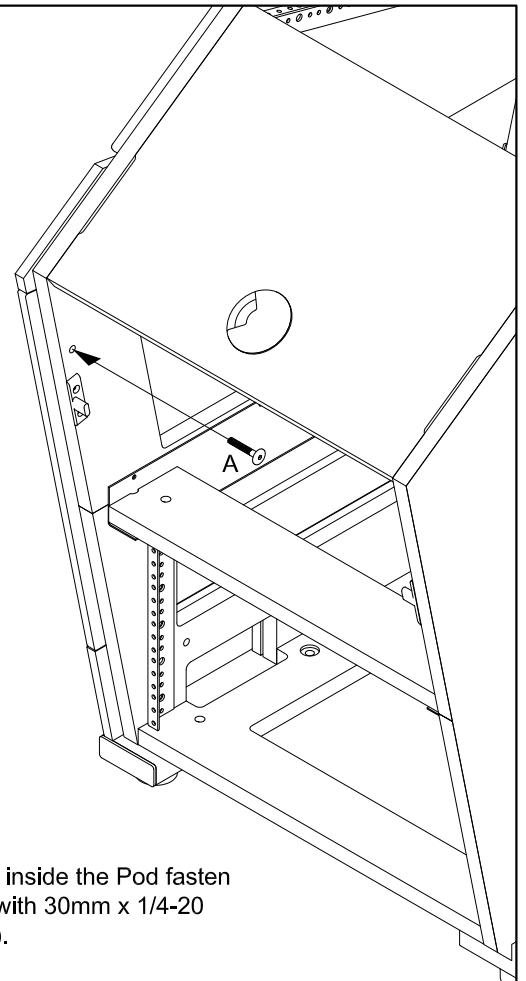


Step 27



From the back side, carefully insert the Fabric End Panels into the Fabric Frames as shown. Be sure to keep the Aluminum Tabs behind the Frame.

Step 28



From the back and inside the Pod fasten the Fabric Panels with 30mm x 1/4-20 Connector Bolts(A).

Step 29

Attach the Front and Rear Fabric Panels as shown.

Note:
Do not attach the Fabric Panels until the entire console is assembled.

