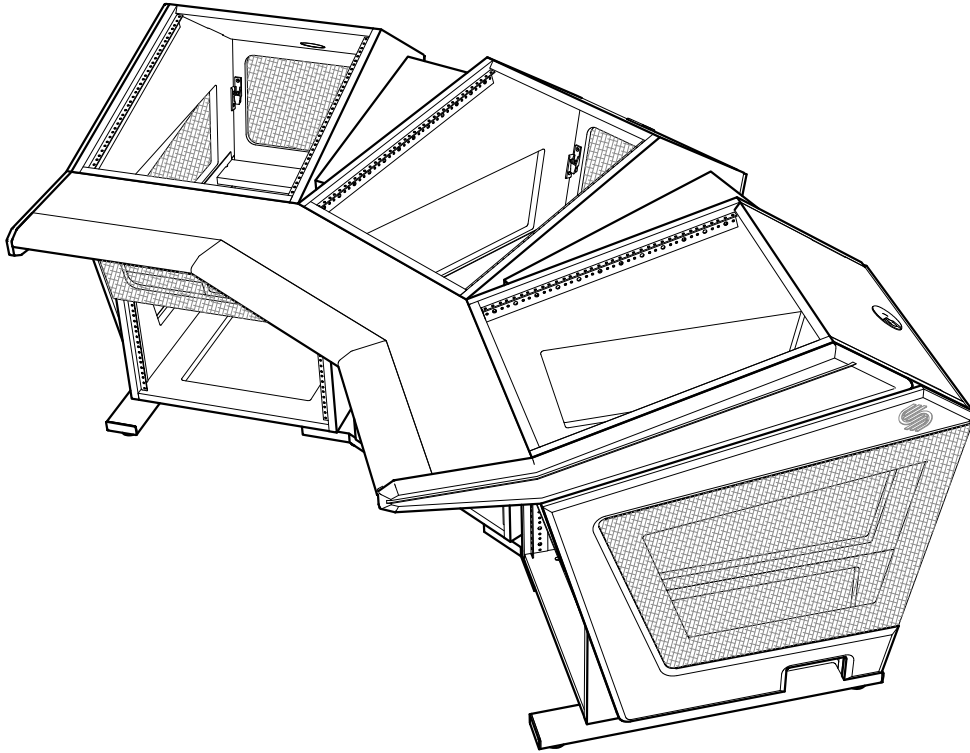


Plan C - Assembly Instructions



Thank you for your purchase from Sterling Modular Systems, Inc.
We hope you have years of success with this finely engineered piece of furniture.

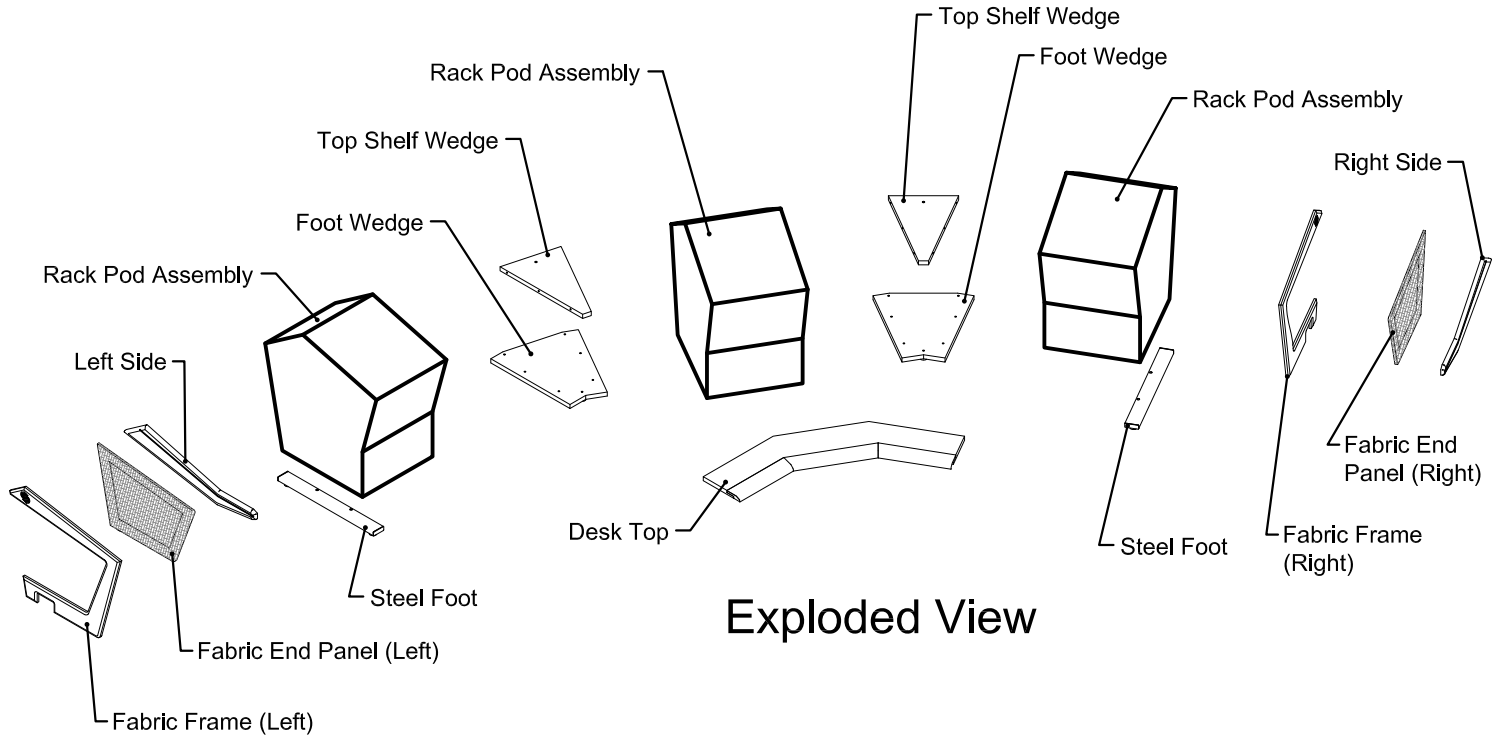
If you have any questions regarding assembly, missing or damaged pieces.
Please contact us:

Telephone: 610-369-5802 (8am to 3pm EST)
Email: sales@sterlingmodular.com

Thank You,
Sterling Modular Systems, Inc.

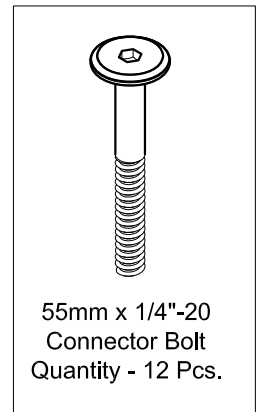
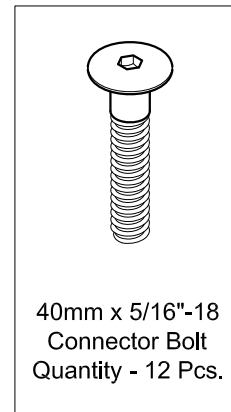
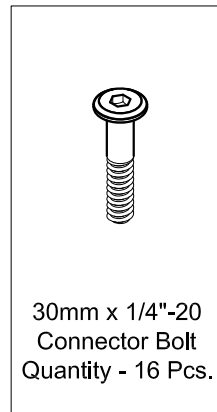
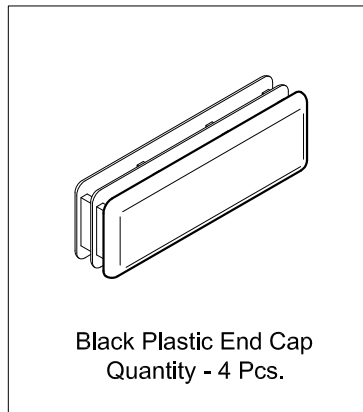
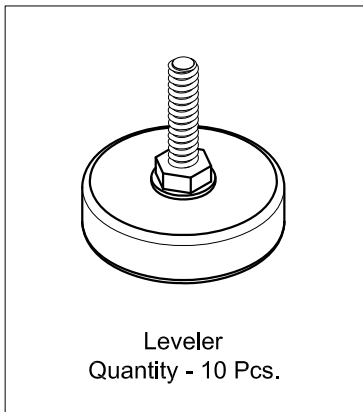
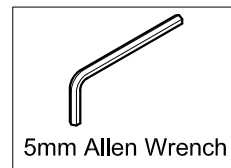
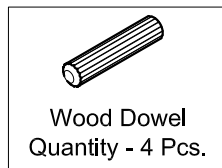
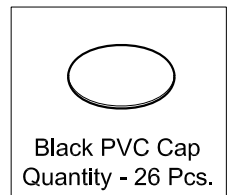
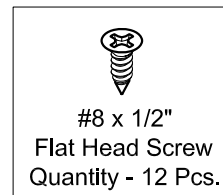
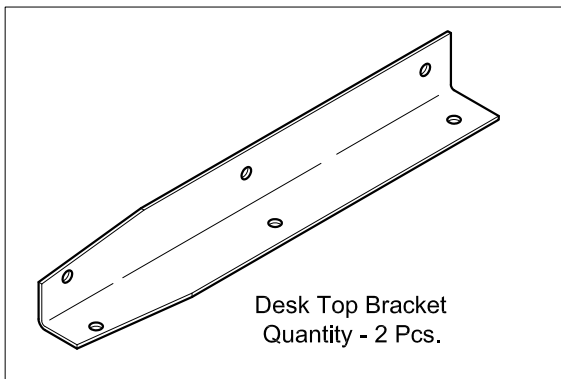


Components

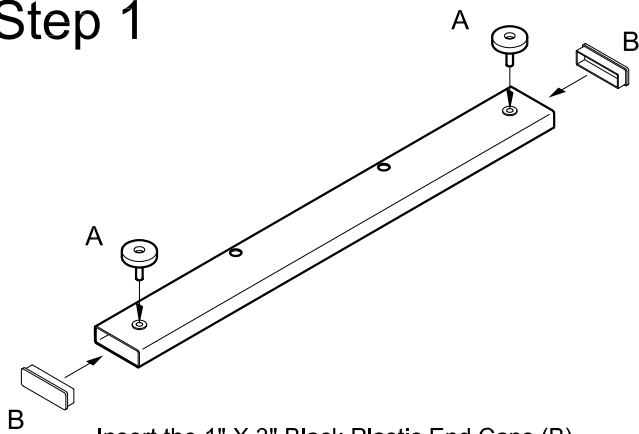


Hardware

Note:
Please unpack and organize all components and hardware prior to assembly.



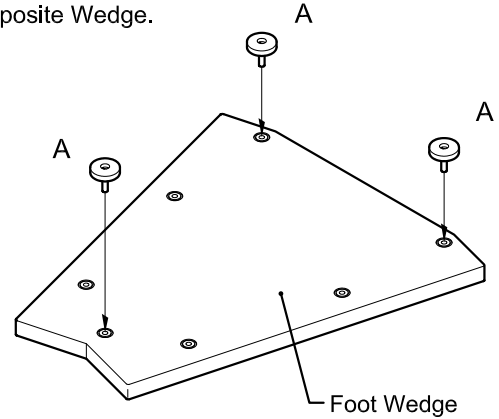
Step 1



Insert the 1" X 3" Black Plastic End Caps (B) into both ends of the Steel Foot.
Thread the Levelers (A) into the outer holes of the Steel Foot.
Repeat this assembly for the opposite Foot.

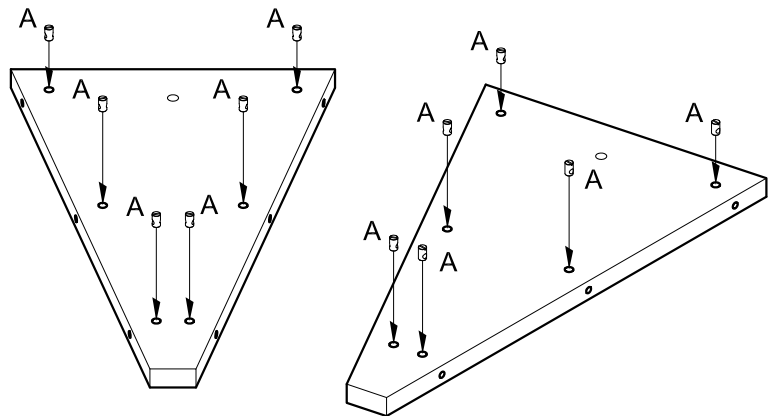
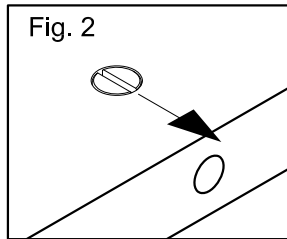
Step 2

Thread the Levelers (A) into the Foot Wedge. Repeat this assembly for the opposite Wedge.



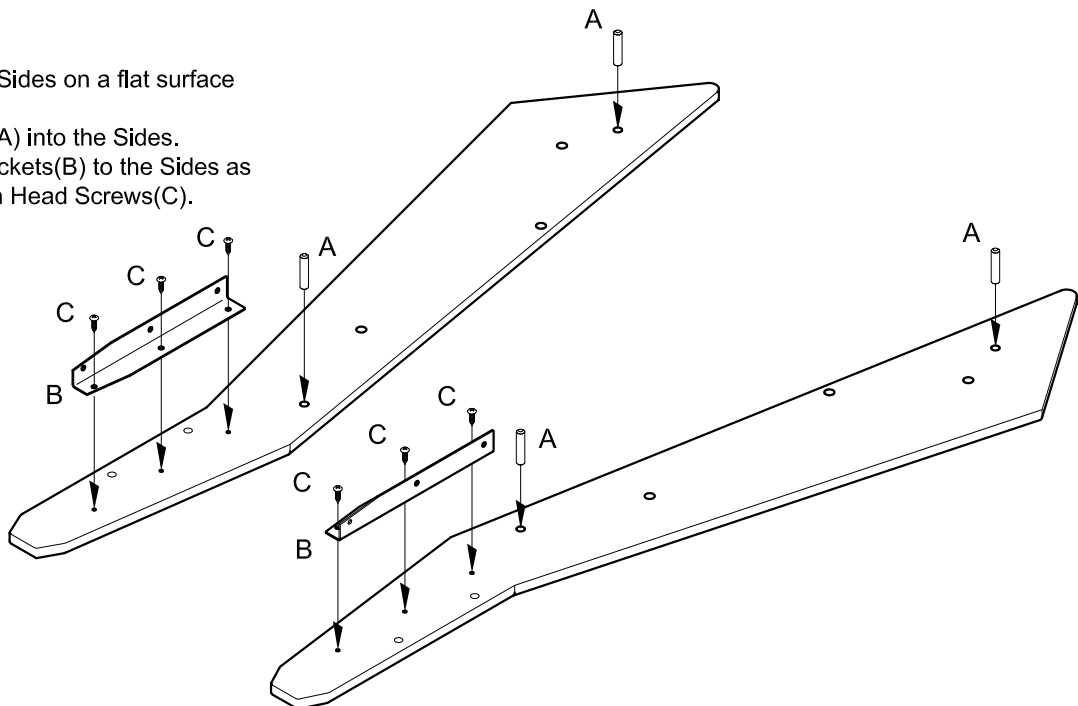
Step 3

Place the Wedge Shelf Tops on a flat surface as shown. Insert Connector Nuts (A) in the holes with the slotted end facing up, and align as shown in Figure 2.

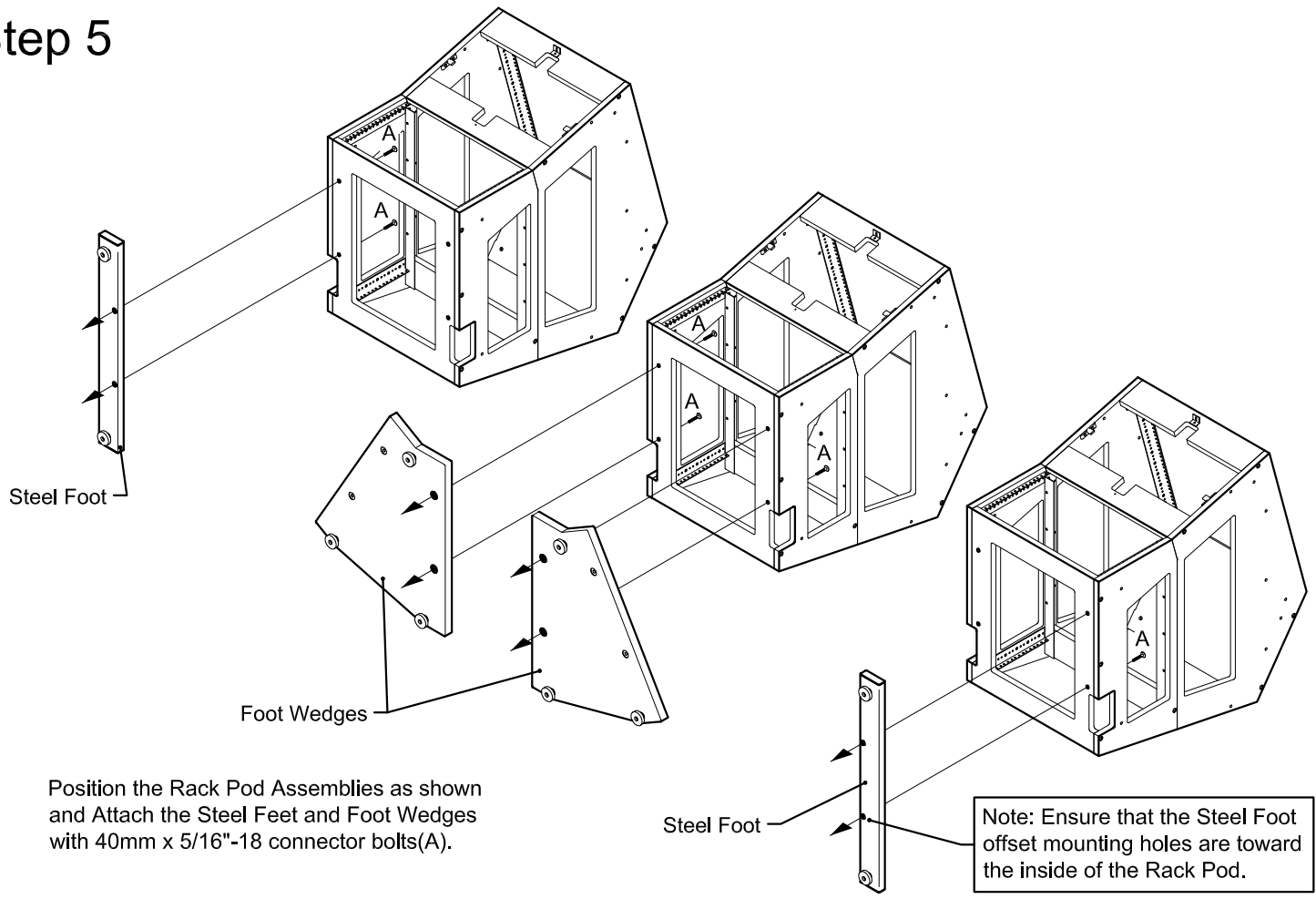


Step 4

Place the Right and Left Sides on a flat surface as shown. Insert the Wood Dowels (A) into the Sides. Attach the Desk Top Brackets (B) to the Sides as shown with #8 x 5/8" Pan Head Screws (C).



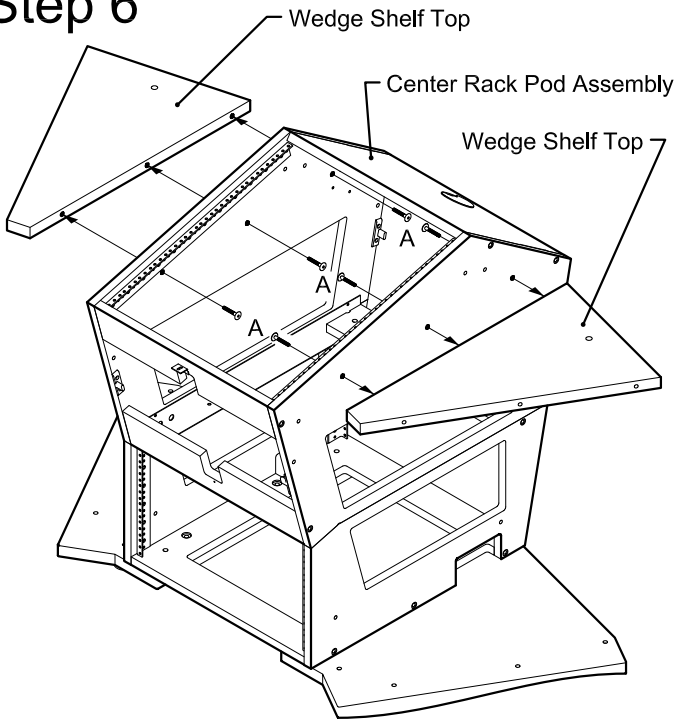
Step 5



Position the Rack Pod Assemblies as shown and Attach the Steel Feet and Foot Wedges with 40mm x 5/16"-18 connector bolts(A).

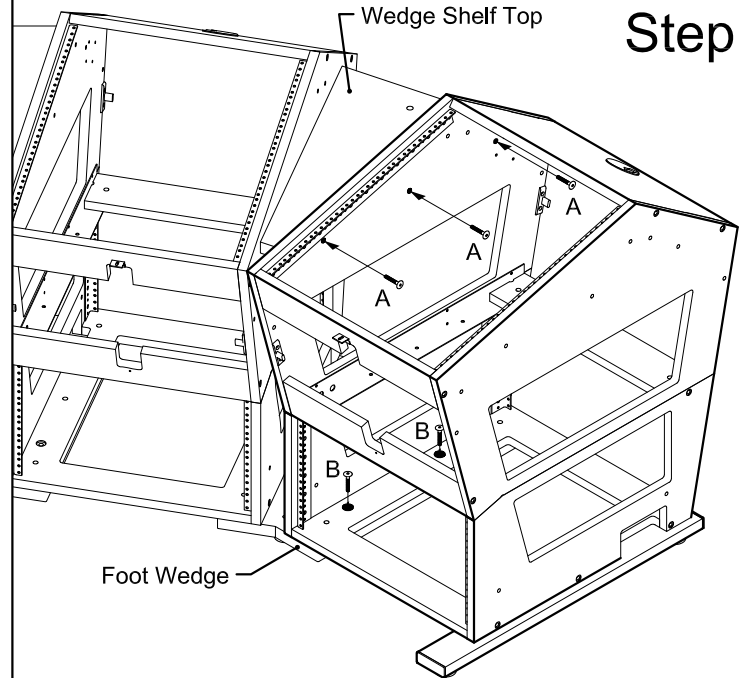
Note: Ensure that the Steel Foot offset mounting holes are toward the inside of the Rack Pod.

Step 6



Stand the Rack Pod Assemblies upright. Attach the Wedge Shelf Tops to the center Rack Pod as shown with 55mm x 1/4"-20 connector bolts(A).

Step 7

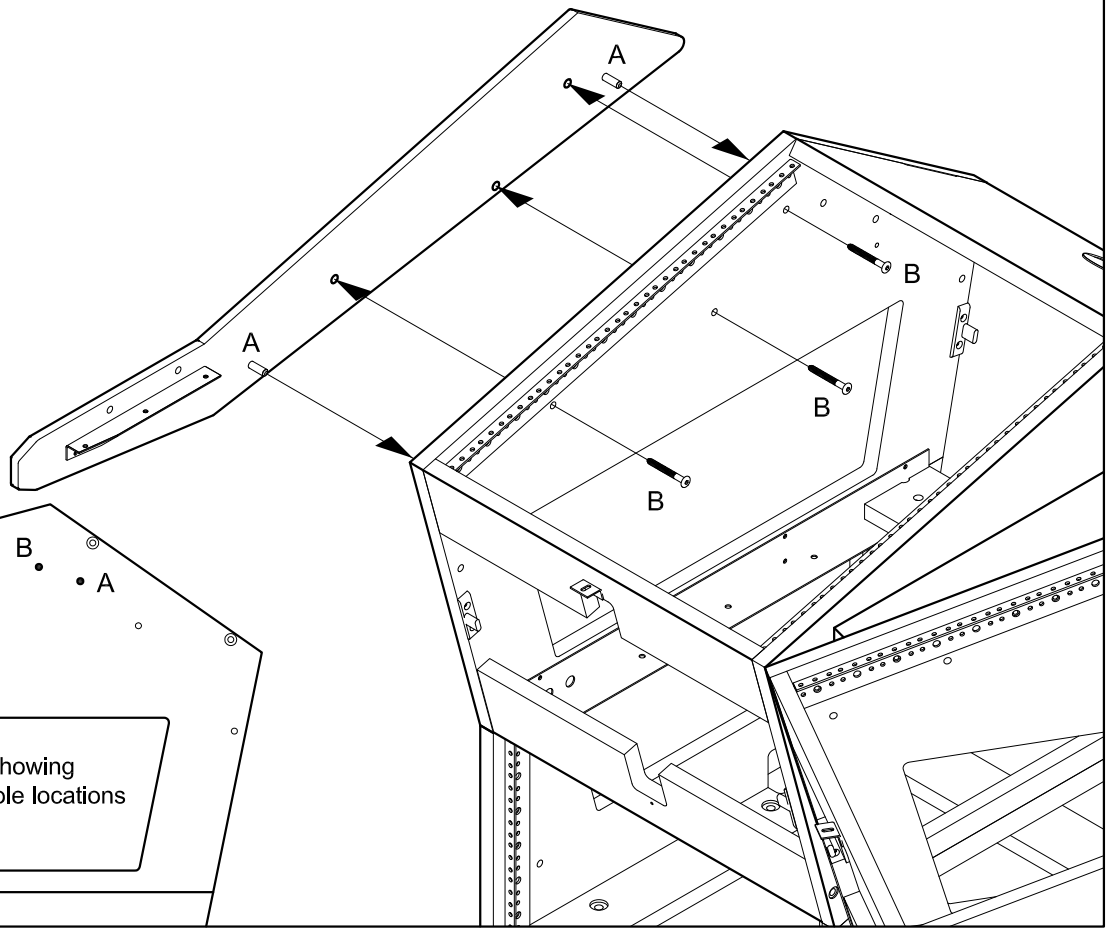
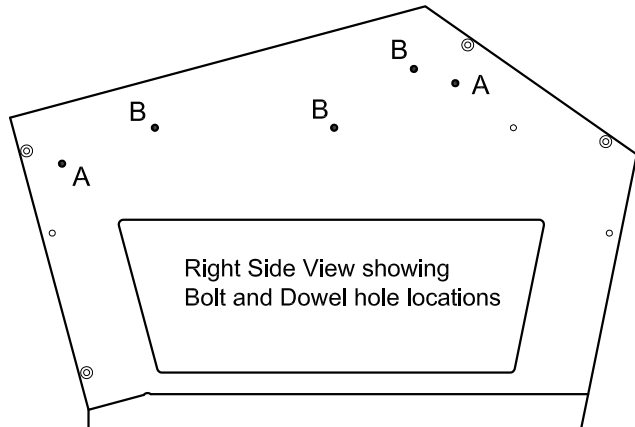


Place the right Rack Pod Assembly next to the center with the base resting on the Foot Wedge. Attach the Wedge Shelf Tops to the center Rack Pod as shown with 55mm x 1/4"-20 connector bolts(A). Attach the right Rack Pod Base to the Foot Wedge with 40mm x 5/16"-18 connector bolts. Repeat this assembly for the left side.



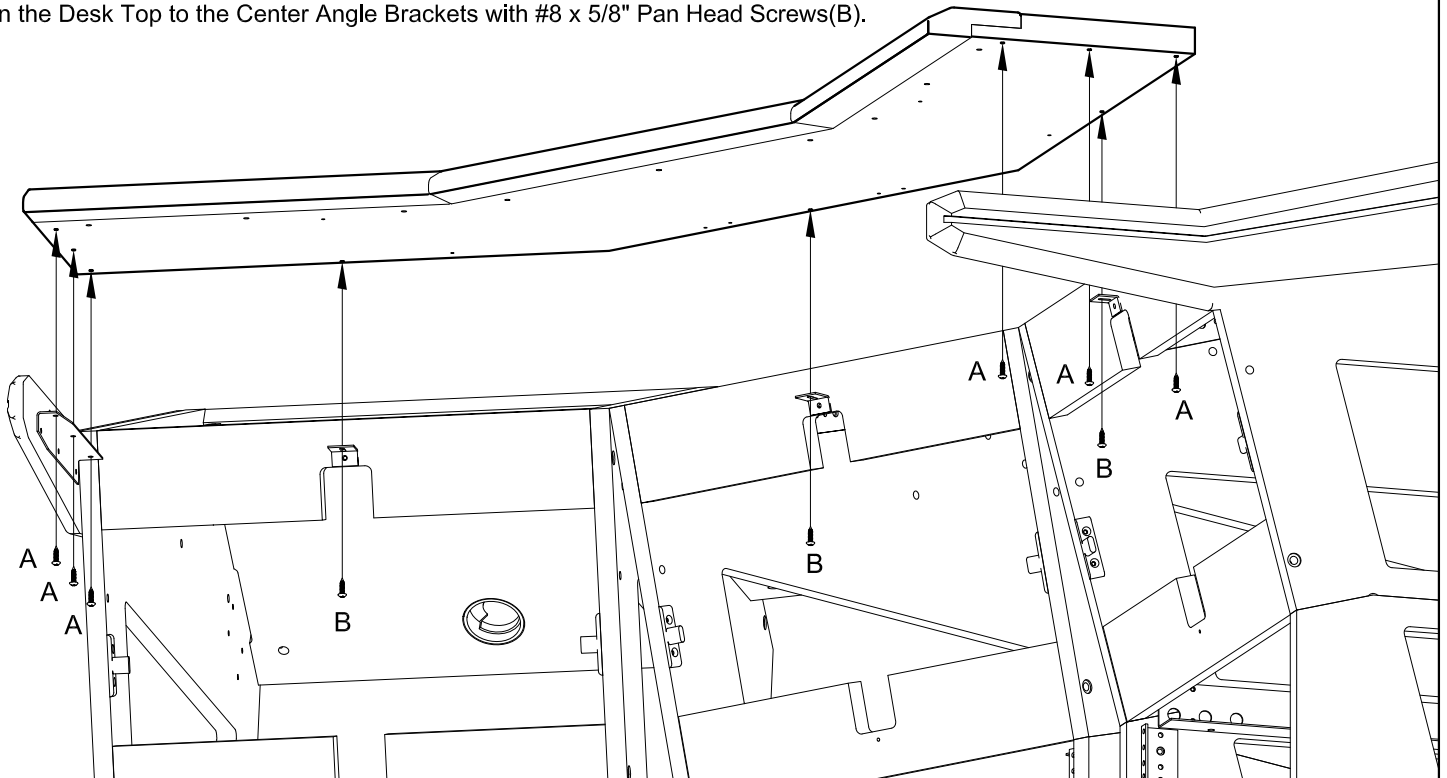
Step 8

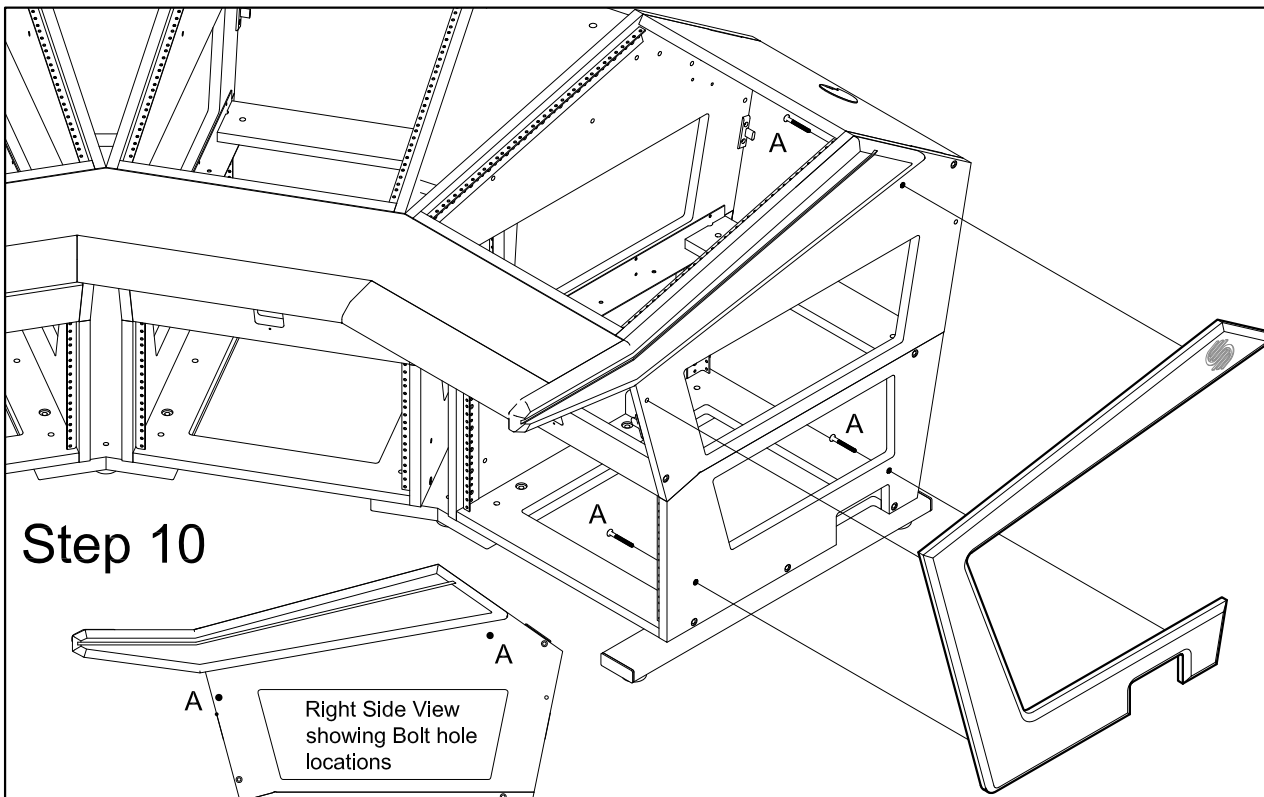
Attach the Sides by aligning the Dowels(A) with the proper holes, and press fit onto the Rack Pod Side. Fasten the Sides from the inside with 30mm x 1/4-20 Connector Bolts(B).



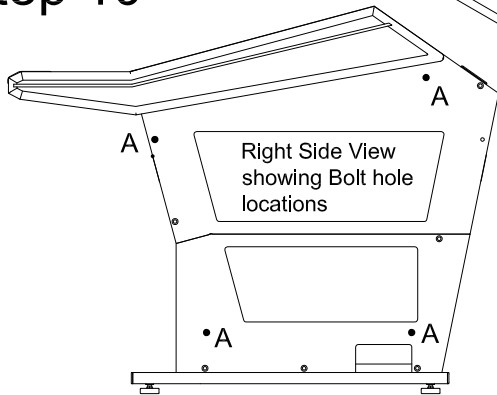
Step 9

Place the Desk Top onto the Desk Top Brackets as shown. Align Desk Top with Bracket Holes and fasten with #8 x 5/8" Pan Head Screws(A). Fasten the Desk Top to the Center Angle Brackets with #8 x 5/8" Pan Head Screws(B).





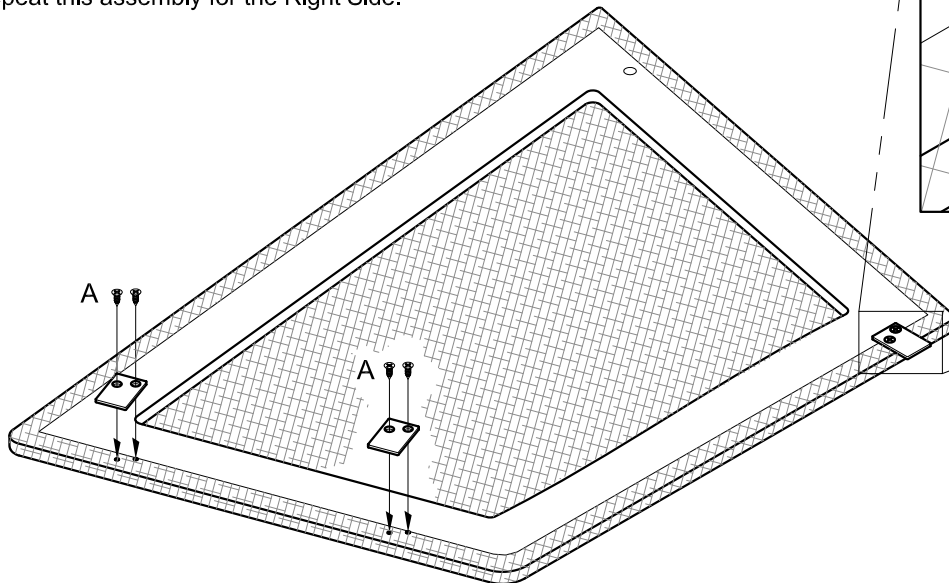
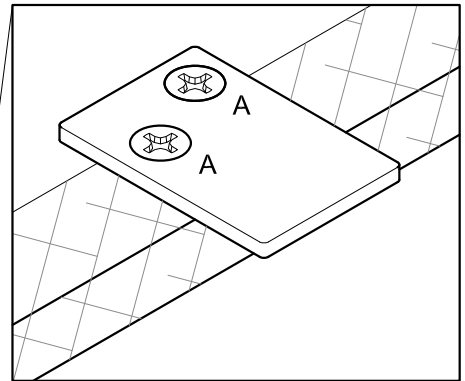
Step 10



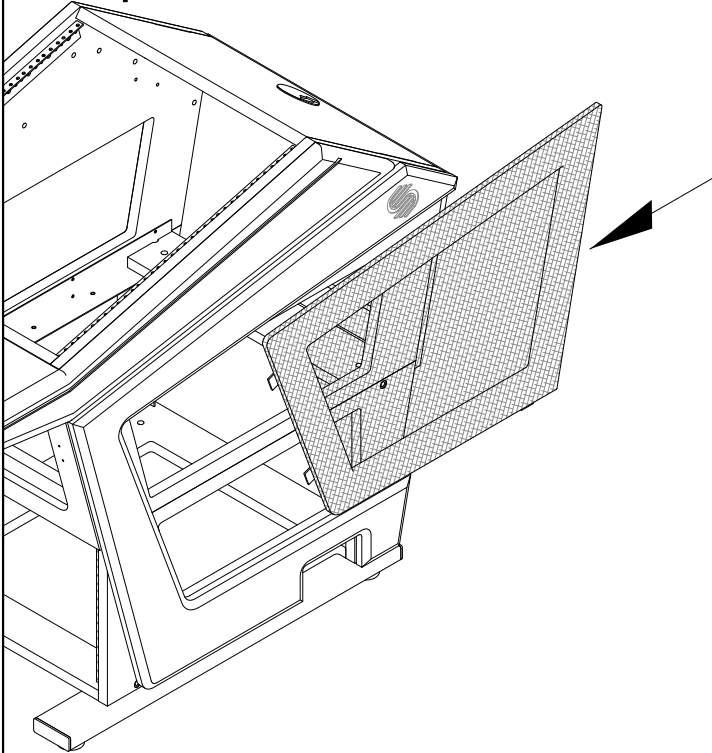
Attach the Fabric End Frames by aligning with the proper holes, and fastening the Panels from the inside with 30mm x 1/4-20 Connector Bolts(A).

Step 11

Place the left Side Fabric End Panel on a flat surface as shown. Attach the Aluminum Tabs to the Panel with #8 x 1/2" Flat Head Screws (A). Repeat this assembly for the Right Side.

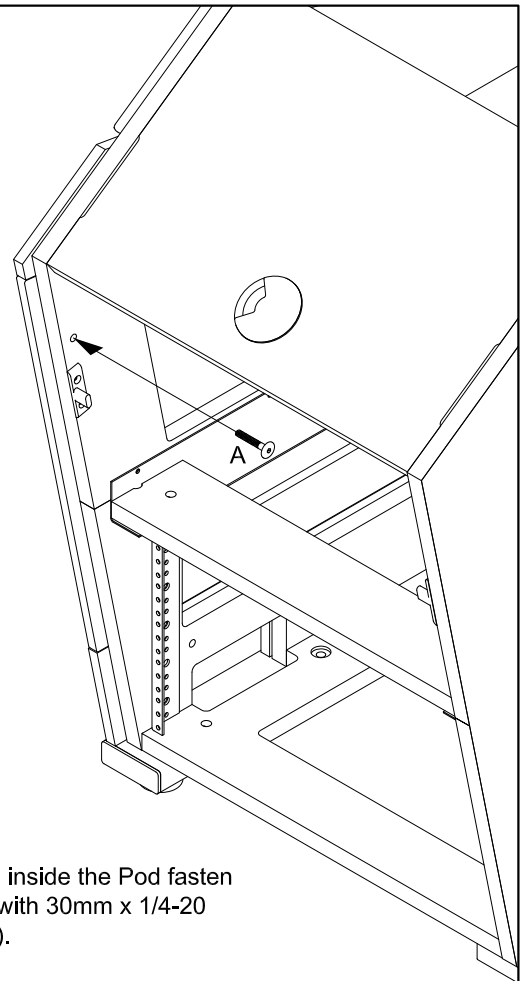


Step 12



From the back side, carefully insert the Fabric End Panels into the Fabric Frames as shown. Be sure to keep the Aluminum Tabs behind the Frame.

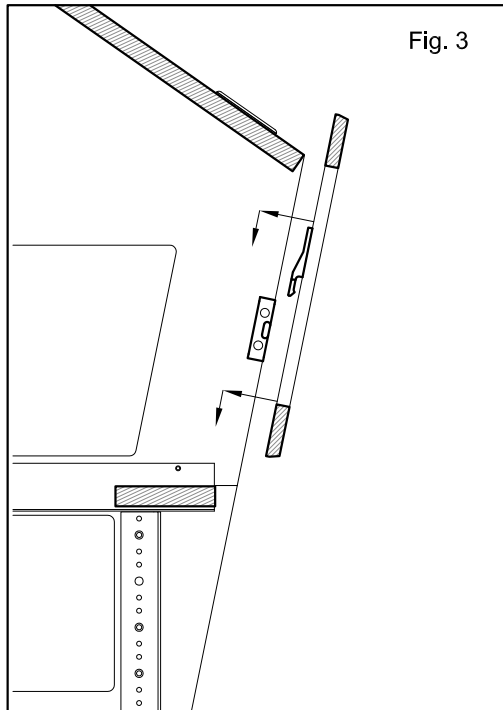
Step 13



From the back and inside the Pod fasten the Fabric Panels with 30mm x 1/4-20 Connector Bolts(A).

Step 14

Attach the Front and Rear Fabric Panels as shown in Figure 3.



Note:

Do not attach the Fabric Panels until the entire console is assembled.

