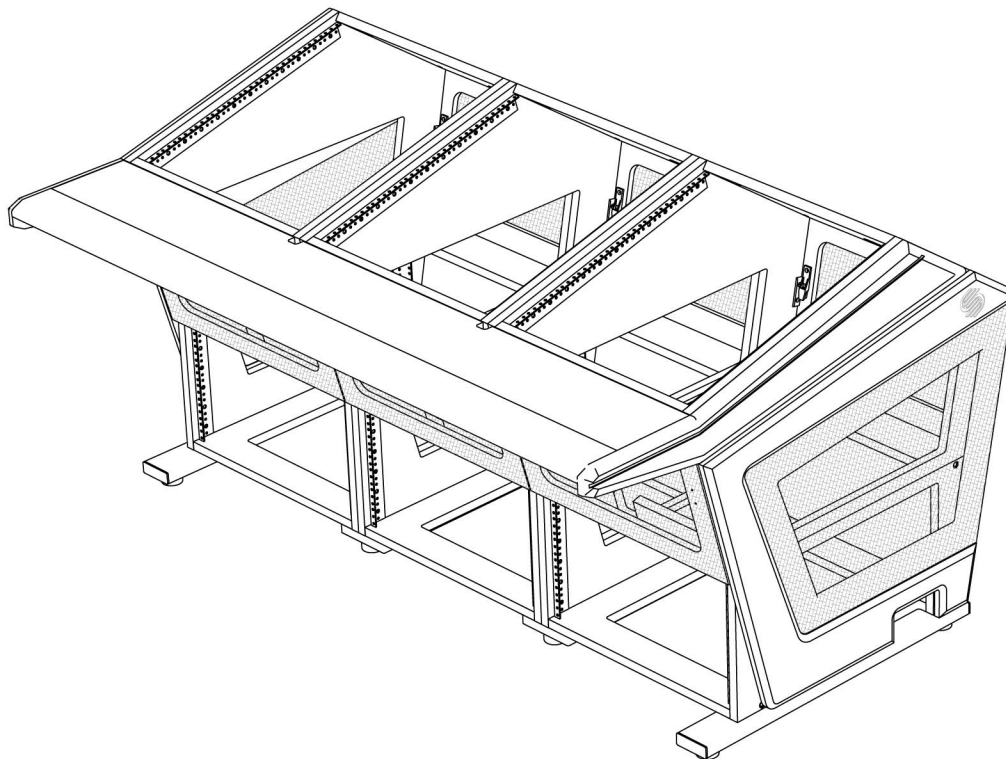


# Plan B - Assembly Instructions



Thank you for your purchase from Sterling Modular Systems, Inc.  
We hope you have years of success with this finely engineered piece of furniture.

If you have any questions regarding assembly, missing or damaged pieces.  
Please contact us:

---

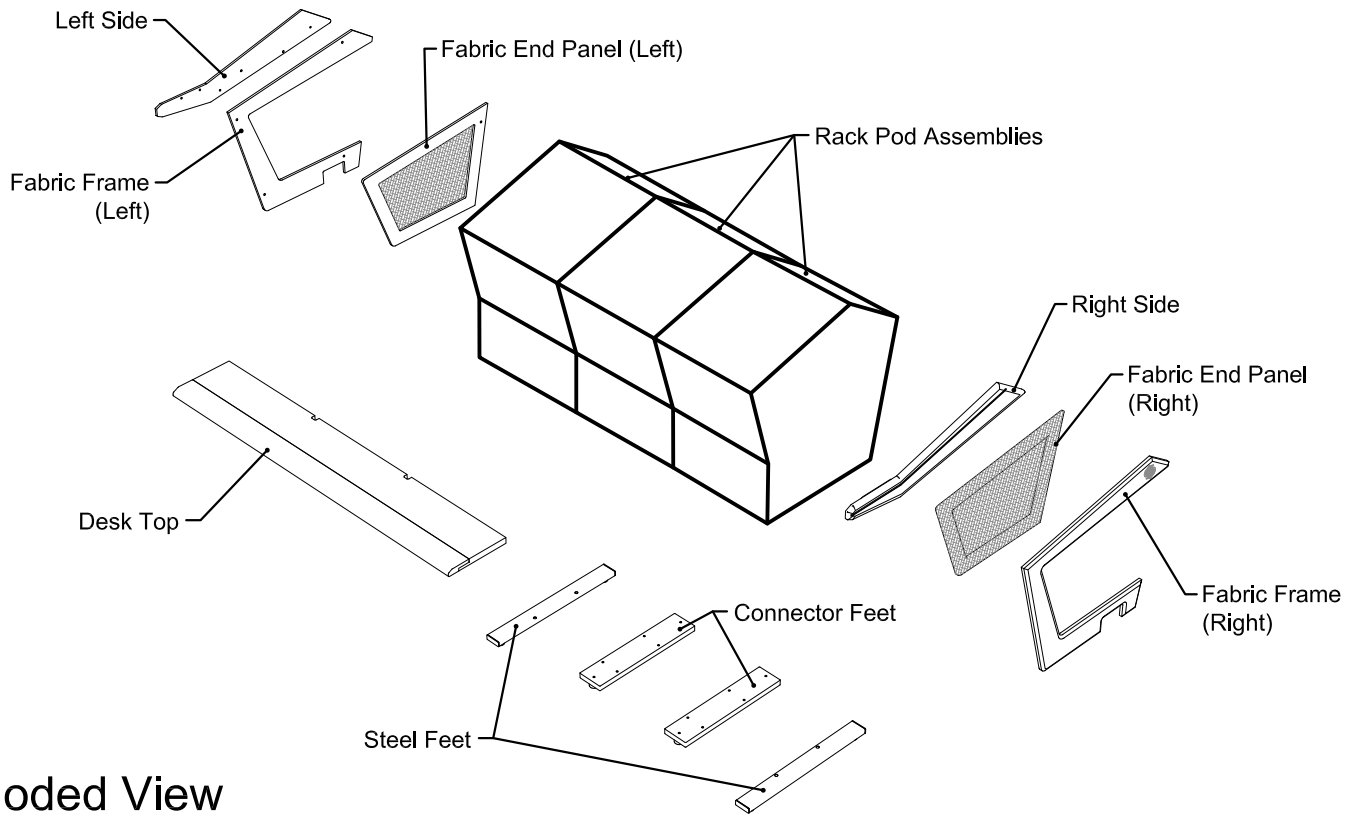
Telephone: 610-369-5802  
Email: [sales@sterlingmodular.com](mailto:sales@sterlingmodular.com)

---

Thank You,  
Sterling Modular Systems, Inc.



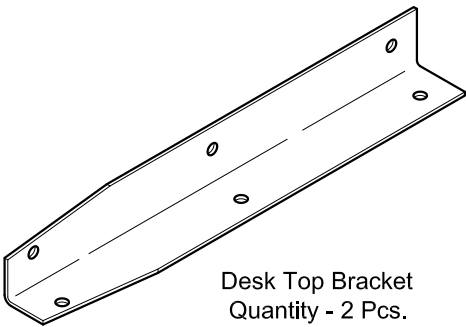




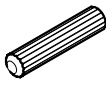
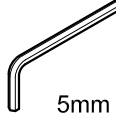

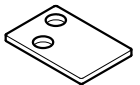
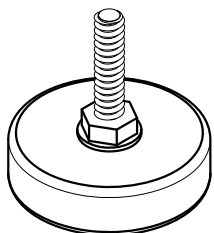
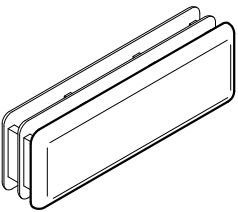
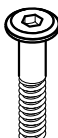
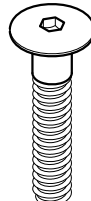
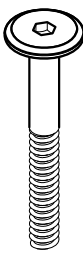
# Components



Exploded View

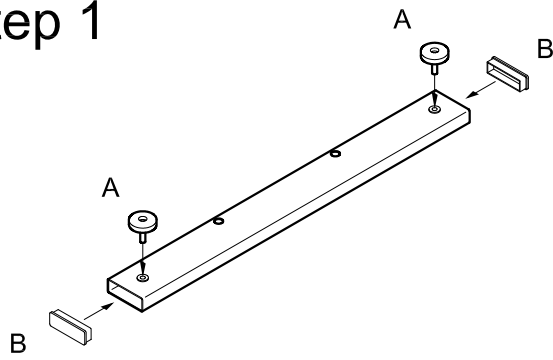
# Hardware

Note:  
Please unpack and organize all components and hardware prior to assembly.

 <p>Desk Top Bracket Quantity - 2 Pcs.</p>	 <p>#8 x 5/8" Pan Head Screw Quantity - 15 Pcs.</p>	 <p>5/32" Allen Wrench</p>	 <p>Black PVC Cap Quantity - 2 Pcs.</p>	 <p>#8 x 1/2" Flat Head Screw Quantity - 12 Pcs.</p>
 <p>Wood Dowel 4 Pcs.</p>	 <p>5mm Allen Wrench</p>	 <p>1/4"-20 Nut Quantity - 12 Pcs.</p>	 <p>Aluminum Tab Quantity - 6 Pcs.</p>	
 <p>Leveler Quantity - 8 Pcs.</p>	 <p>Black Plastic End Cap Quantity - 4 Pcs.</p>	 <p>30mm x 1/4"-20 Connector Bolt Quantity - 16 Pcs.</p>	 <p>40mm x 5/16"-18 Connector Bolt Quantity - 12 Pcs.</p>	 <p>50mm x 1/4"-20 Connector Bolt Quantity - 12 Pcs.</p>



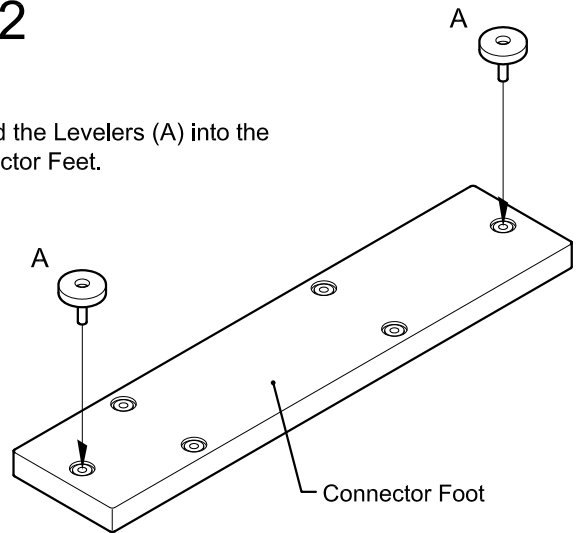
## Step 1



Insert the 1" X 3" Black Plastic End Caps (B) into both ends of the Steel Foot.  
Thread the Levelers (A) into the outer holes of the Steel Foot.  
Repeat this assembly for the opposite Foot.

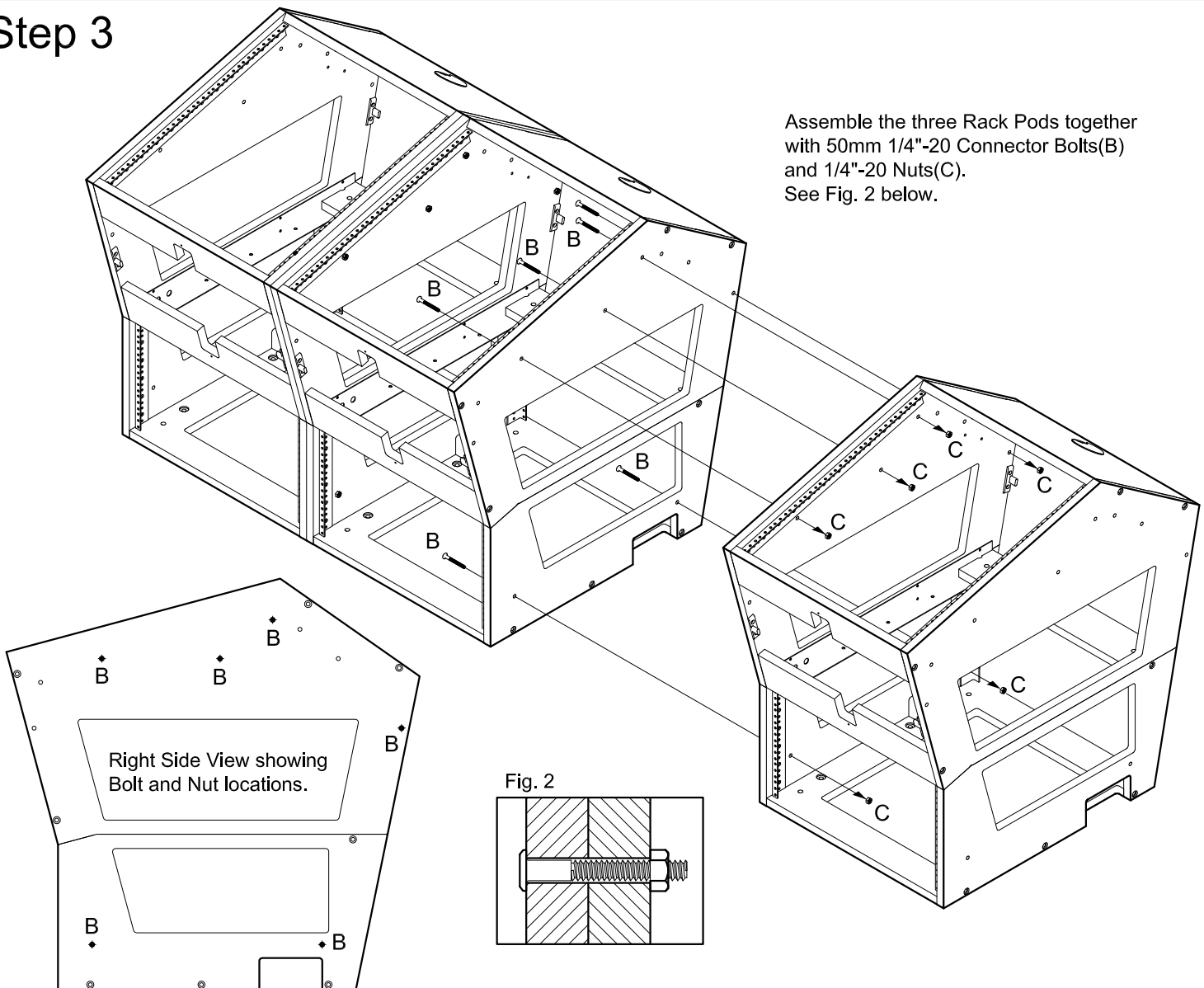
## Step 2

Thread the Levelers (A) into the Connector Feet.



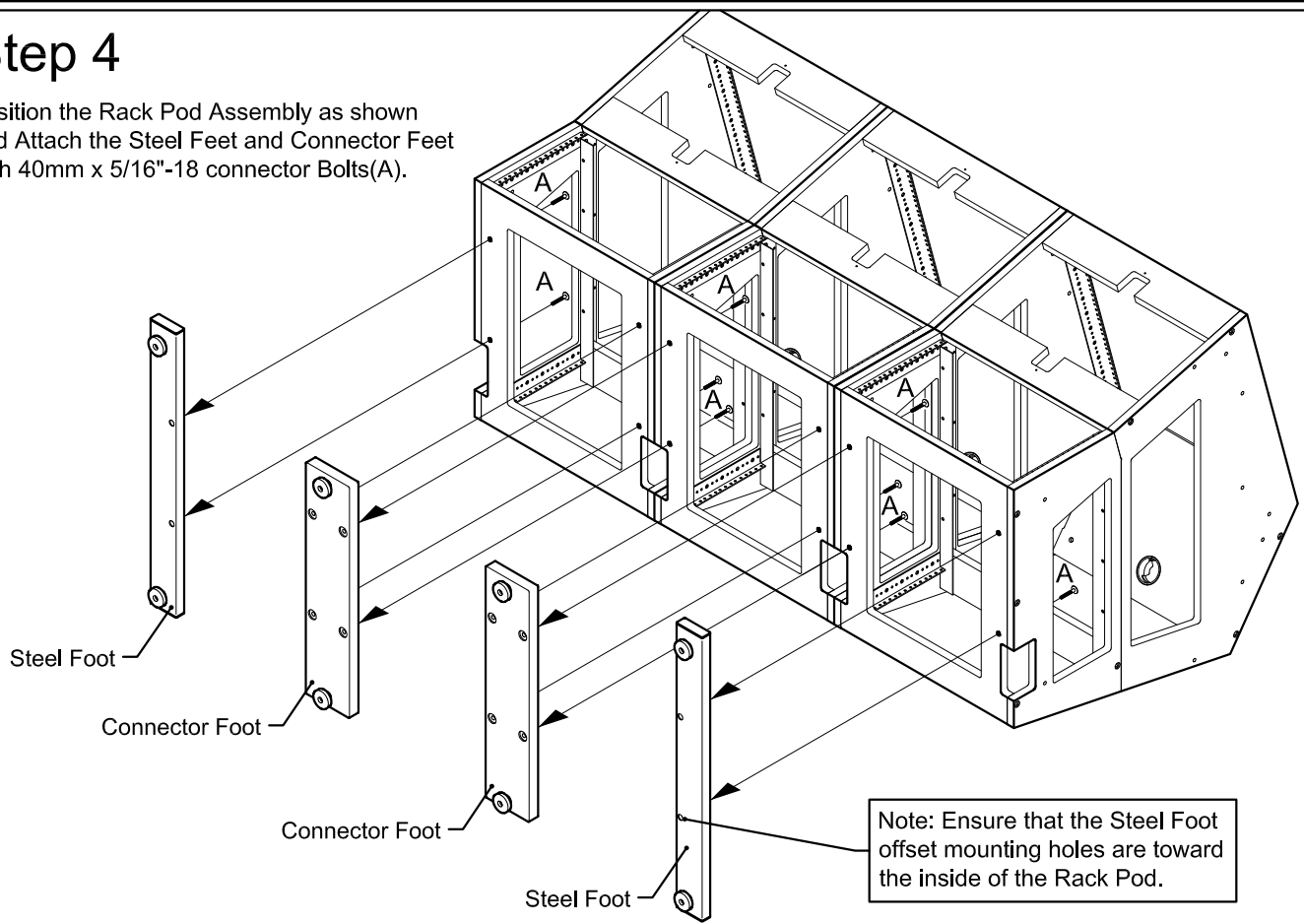
## Step 3

Assemble the three Rack Pods together with 50mm 1/4"-20 Connector Bolts (B) and 1/4"-20 Nuts (C).  
See Fig. 2 below.



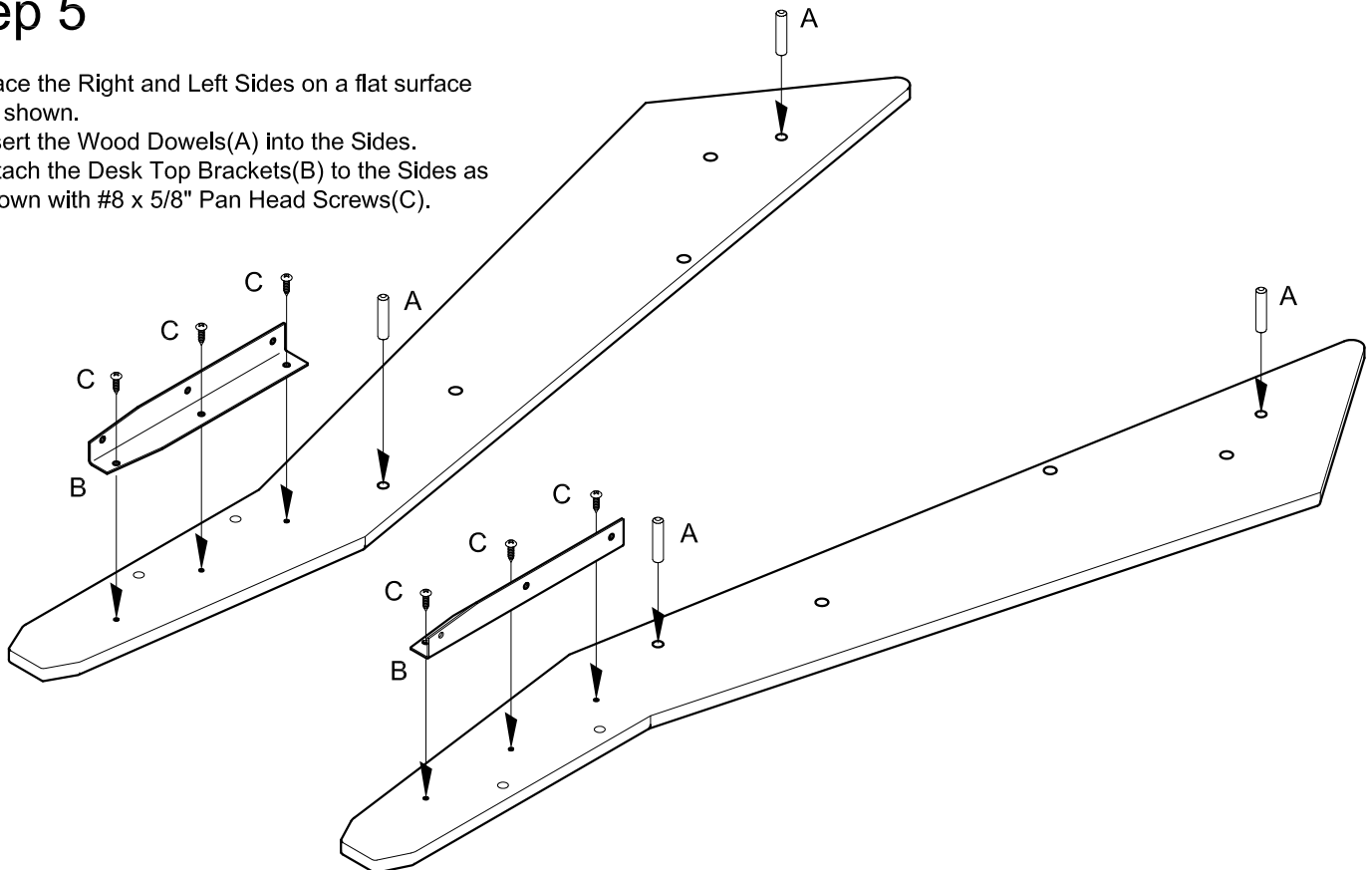
## Step 4

Position the Rack Pod Assembly as shown and Attach the Steel Feet and Connector Feet with 40mm x 5/16"-18 connector Bolts(A).



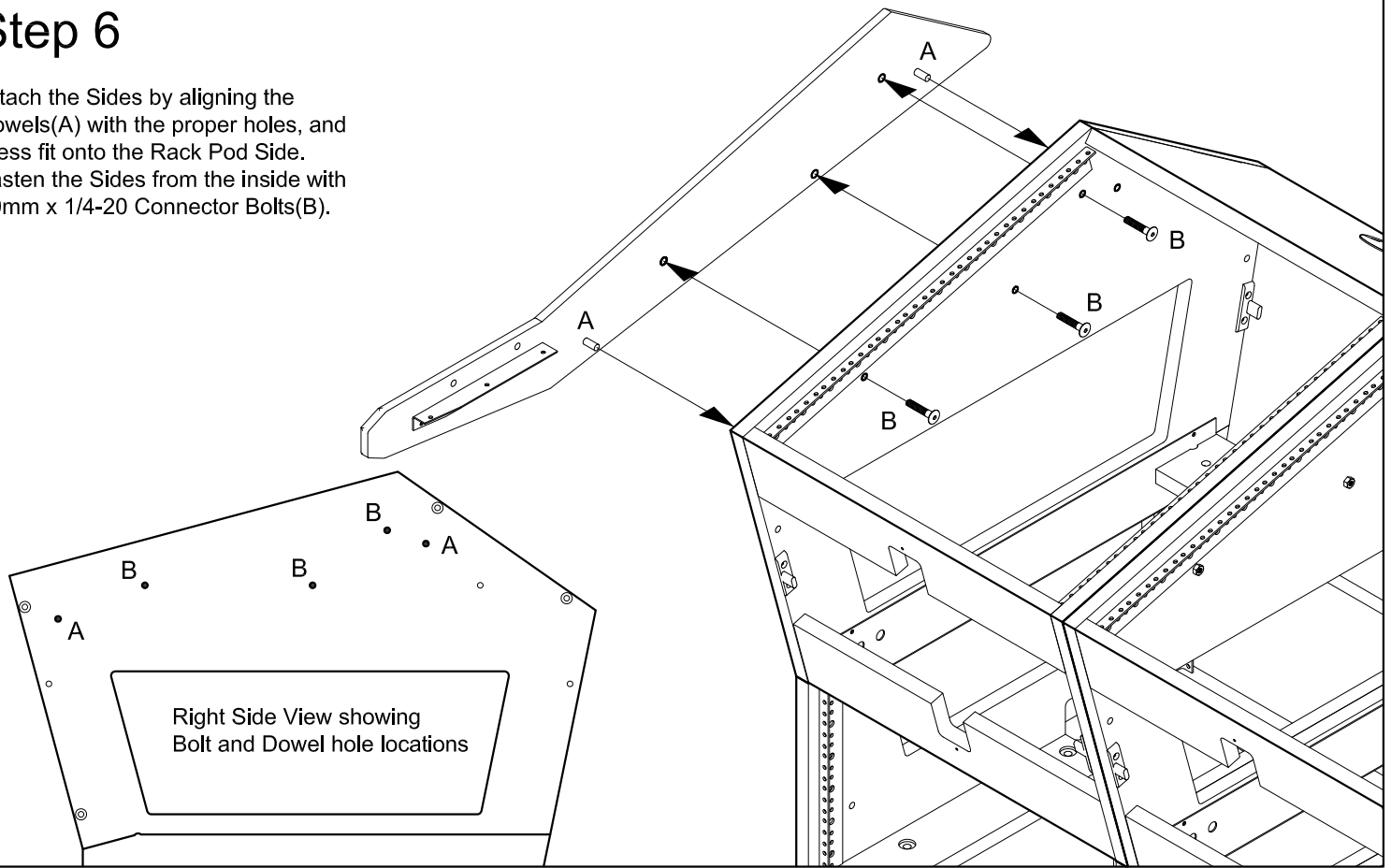
## Step 5

Place the Right and Left Sides on a flat surface as shown.  
Insert the Wood Dowels(A) into the Sides.  
Attach the Desk Top Brackets(B) to the Sides as shown with #8 x 5/8" Pan Head Screws(C).



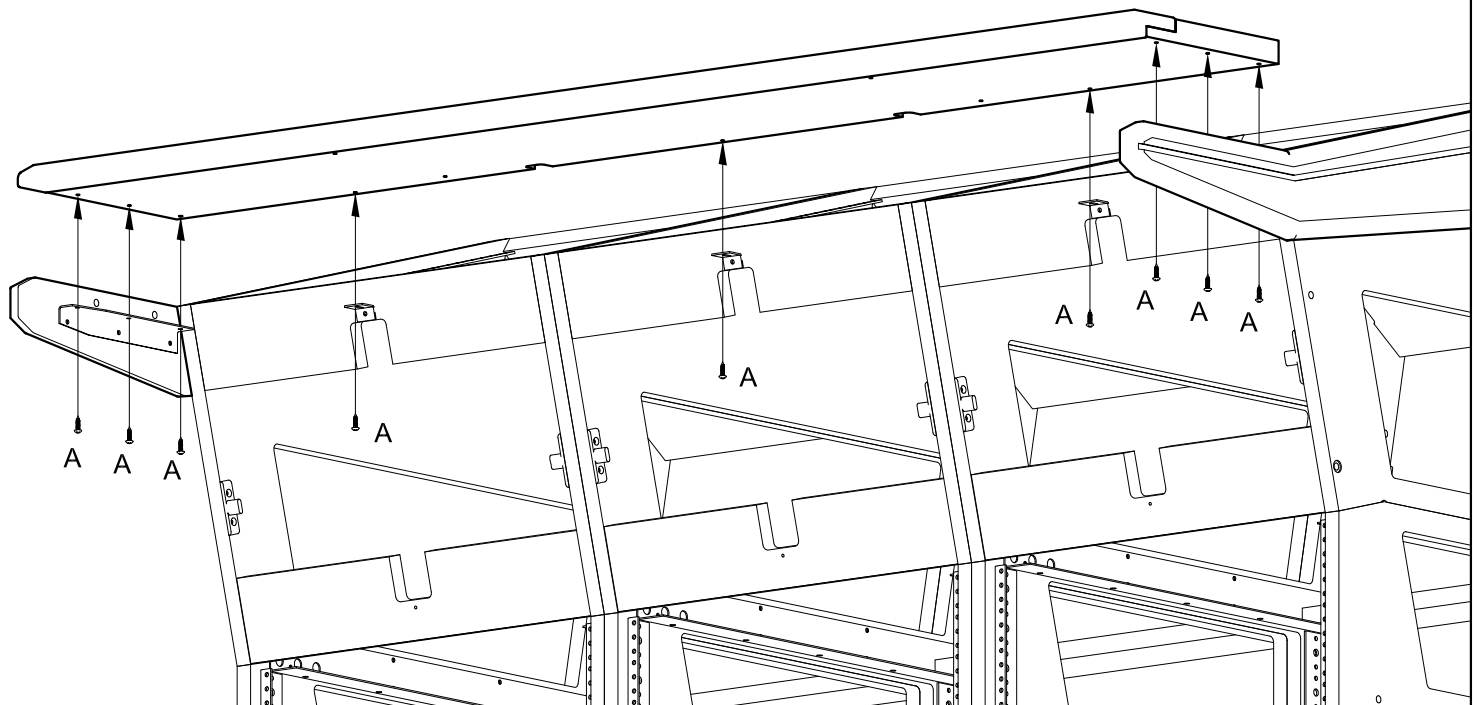
## Step 6

Attach the Sides by aligning the Dowels(A) with the proper holes, and press fit onto the Rack Pod Side. Fasten the Sides from the inside with 30mm x 1/4-20 Connector Bolts(B).



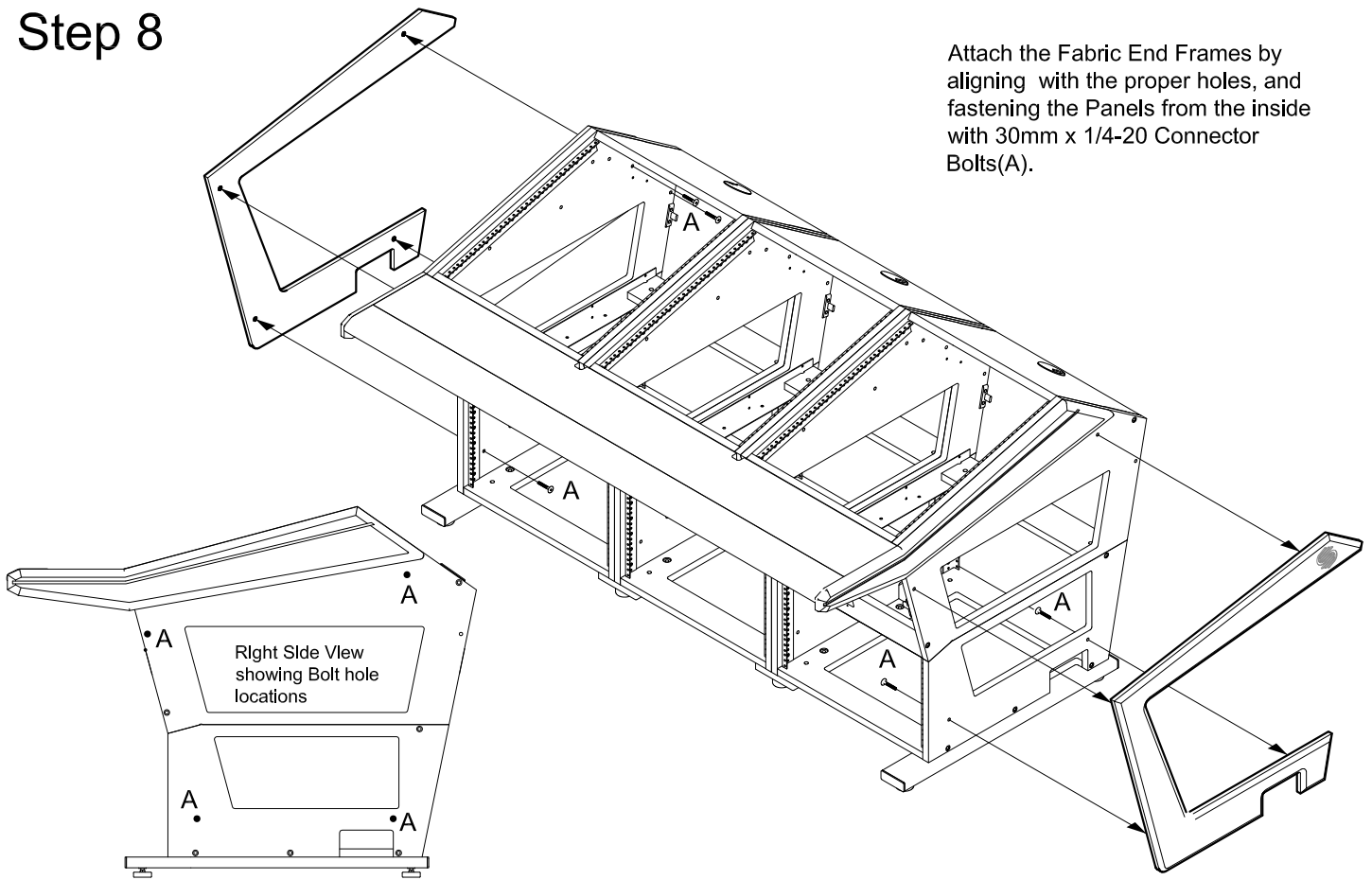
## Step 7

Place the Desk Top onto the Desk Top Brackets as shown. Align Desk Top with Bracket Holes and fasten with #8 x 5/8" Pan Head Screws(A). Fasten the Desk Top to the Center Angle Brackets with #8 x 5/8" Pan Head Screws(A).



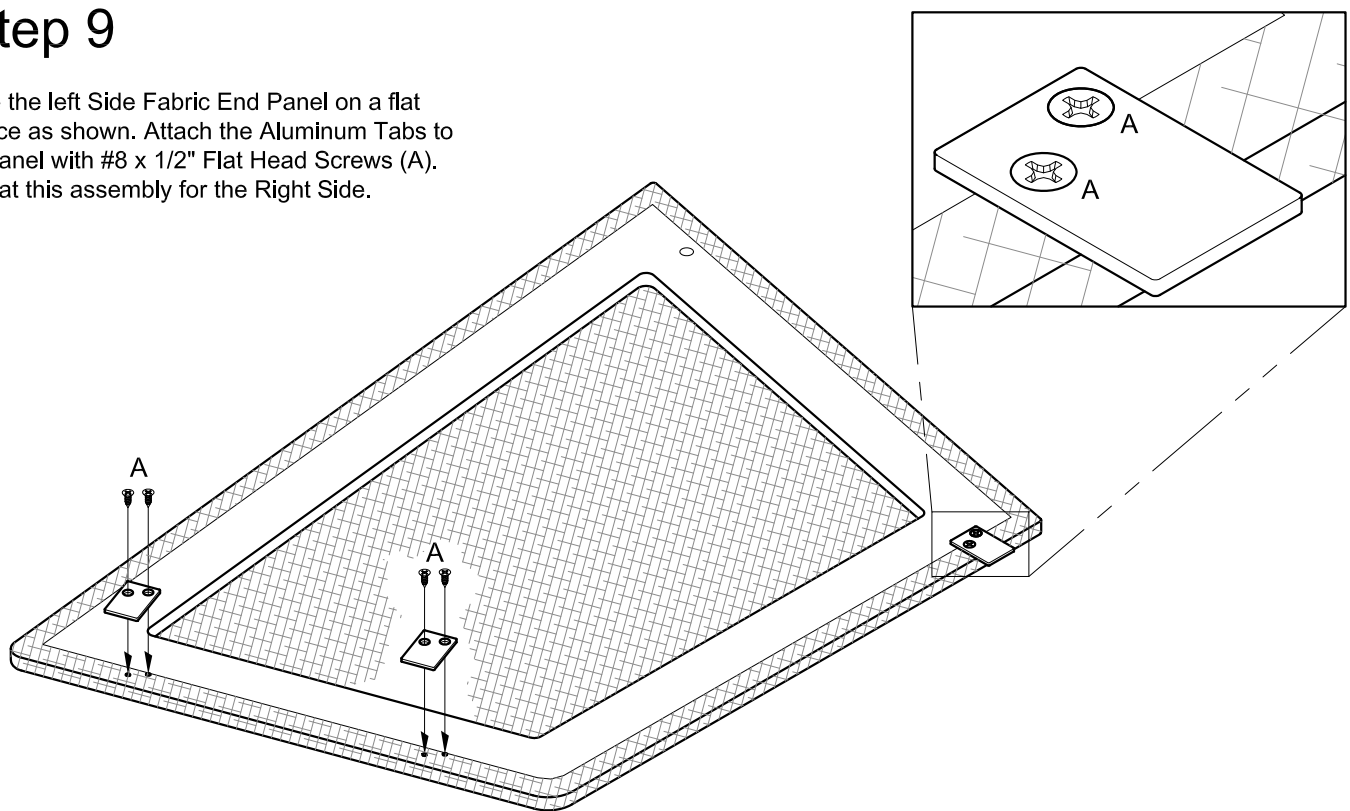
## Step 8

Attach the Fabric End Frames by aligning with the proper holes, and fastening the Panels from the inside with 30mm x 1/4-20 Connector Bolts(A).

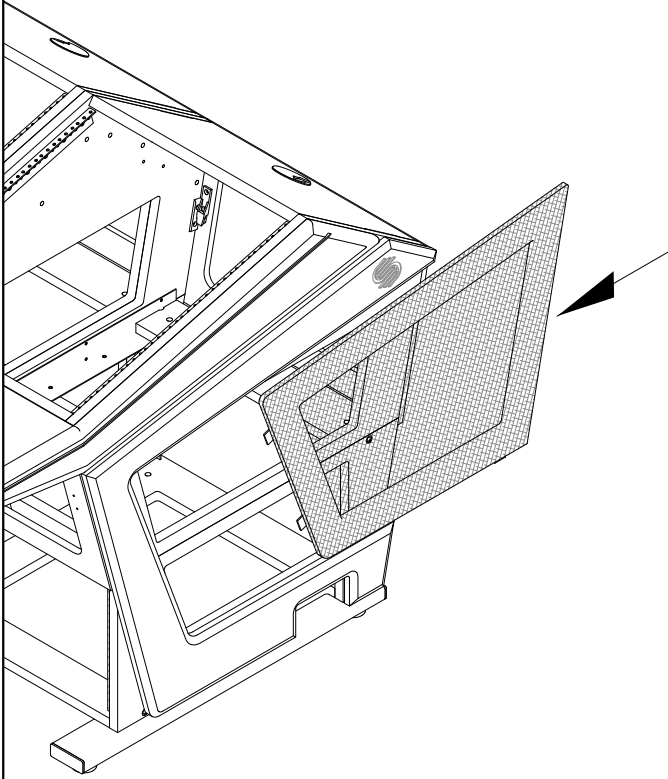


## Step 9

Place the left Side Fabric End Panel on a flat surface as shown. Attach the Aluminum Tabs to the Panel with #8 x 1/2" Flat Head Screws (A). Repeat this assembly for the Right Side.

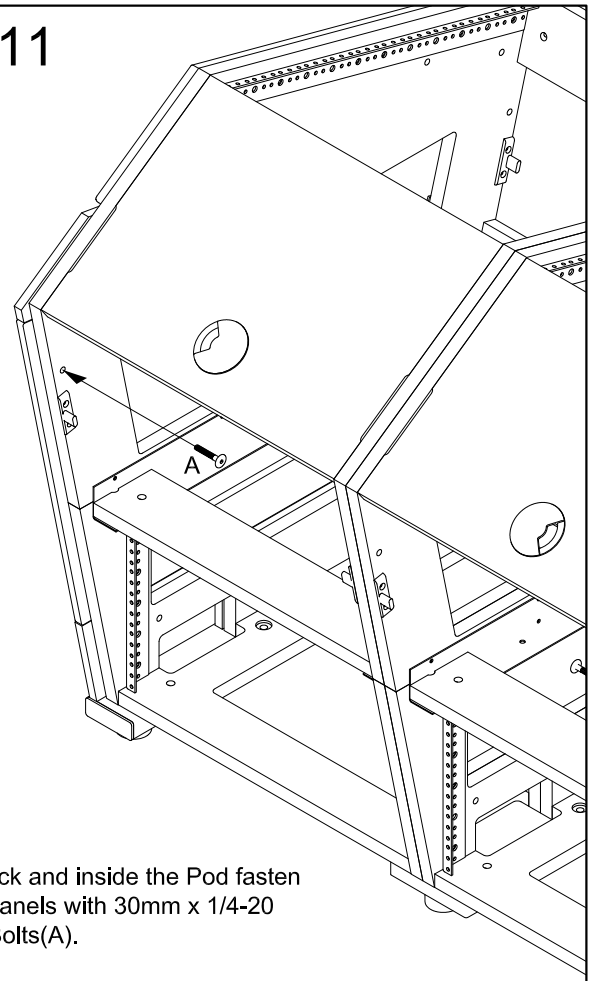


## Step 10



From the back side, carefully insert the Fabric End Panels into the Fabric Frames as shown. Be sure to keep the Aluminum Tabs behind the Frame.

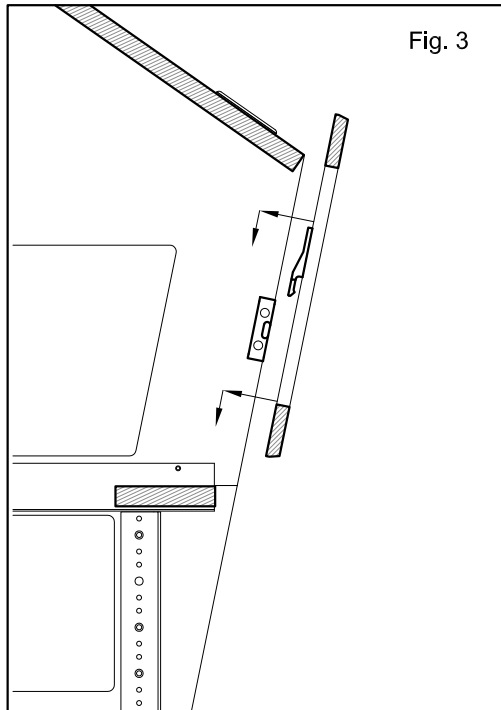
## Step 11



From the back and inside the Pod fasten the Fabric Panels with 30mm x 1/4-20 Connector Bolts(A).

## Step 12

Attach the Front and Rear Fabric Panels as shown in Figure 3.



**Note:**  
Do not attach the Fabric Panels until the entire console is assembled.

