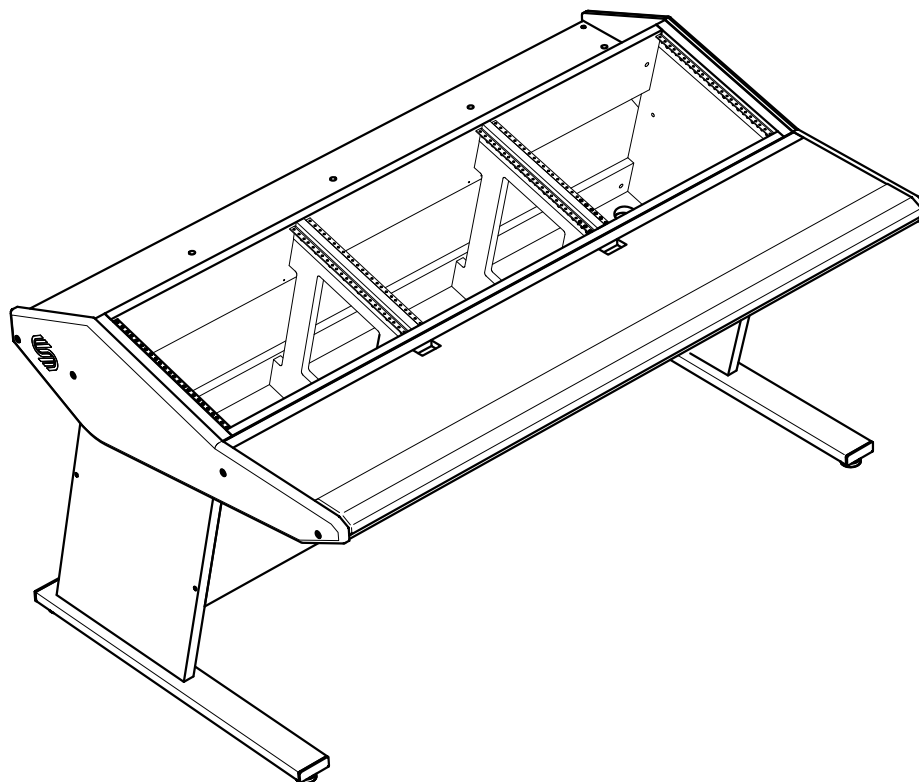


Multi Station 3 Bay - Assembly Instructions - Production Option



Thank you for your purchase from Sterling Modular Systems, Inc.
We hope you have years of success with this finely engineered piece of furniture.

If you have any questions regarding assembly, missing or damaged pieces.
Please contact us:

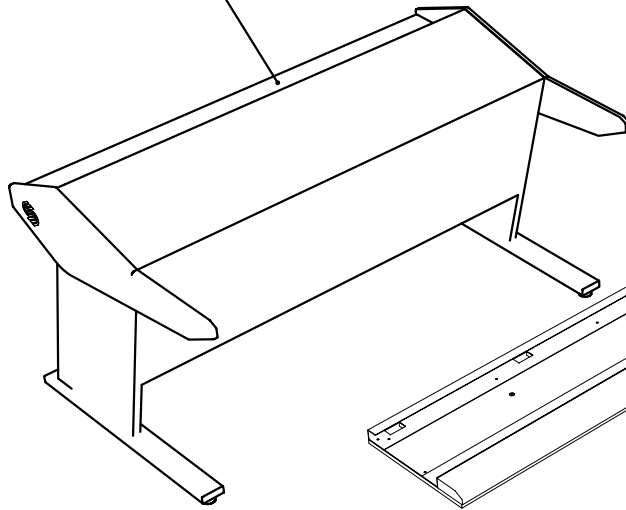
Telephone: 610-369-5802 (8am to 3pm EST)
Email: sales@sterlingmodular.com

Thank You,
Sterling Modular Systems, Inc.

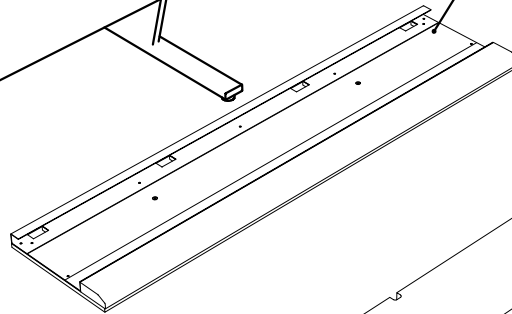


Components

Assembled 3 Bay Unit

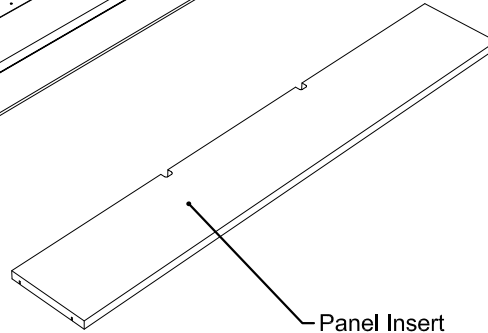


Assembled Tray



Exploded View

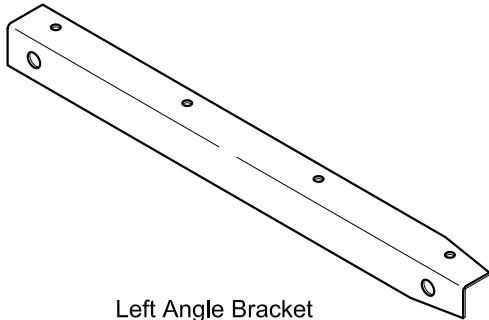
Panel Insert



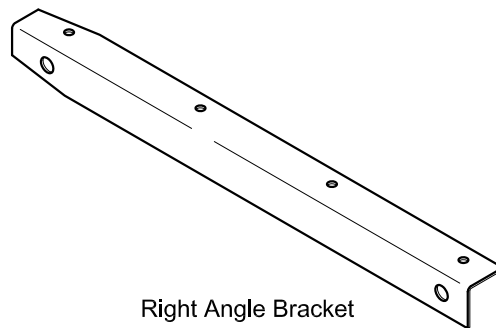
Hardware

Note:

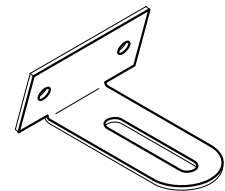
Please unpack and organize all components and hardware prior to assembly.



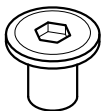
Left Angle Bracket
Quantity - 1 Pc.



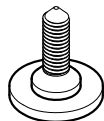
Right Angle Bracket
Quantity - 1 Pc.



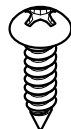
LCD Shelf Angle
Quantity - 1 Pc.



12mm Tube Nut
Quantity - 4 Pcs.



17mm Shoulder Screw
Quantity - 4 Pcs.



#8 x 5/8 Pan Head Screw
Quantity - 8 Pcs.



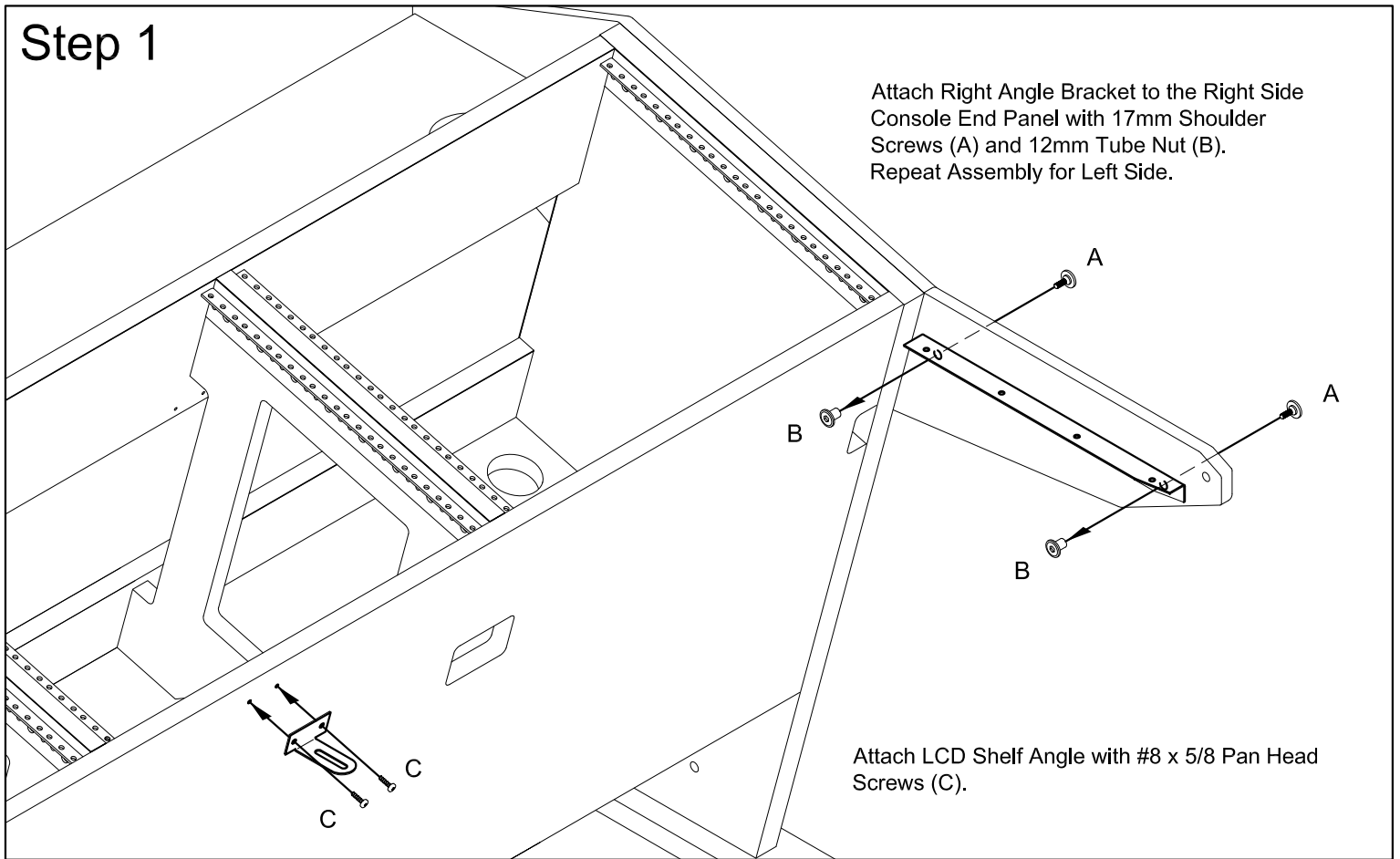
#8 x 1 1/2
Pan Head Screw
Quantity - 3 Pcs.



#10 x 1/2 Truss Head Screw
Quantity - 2 Pcs.

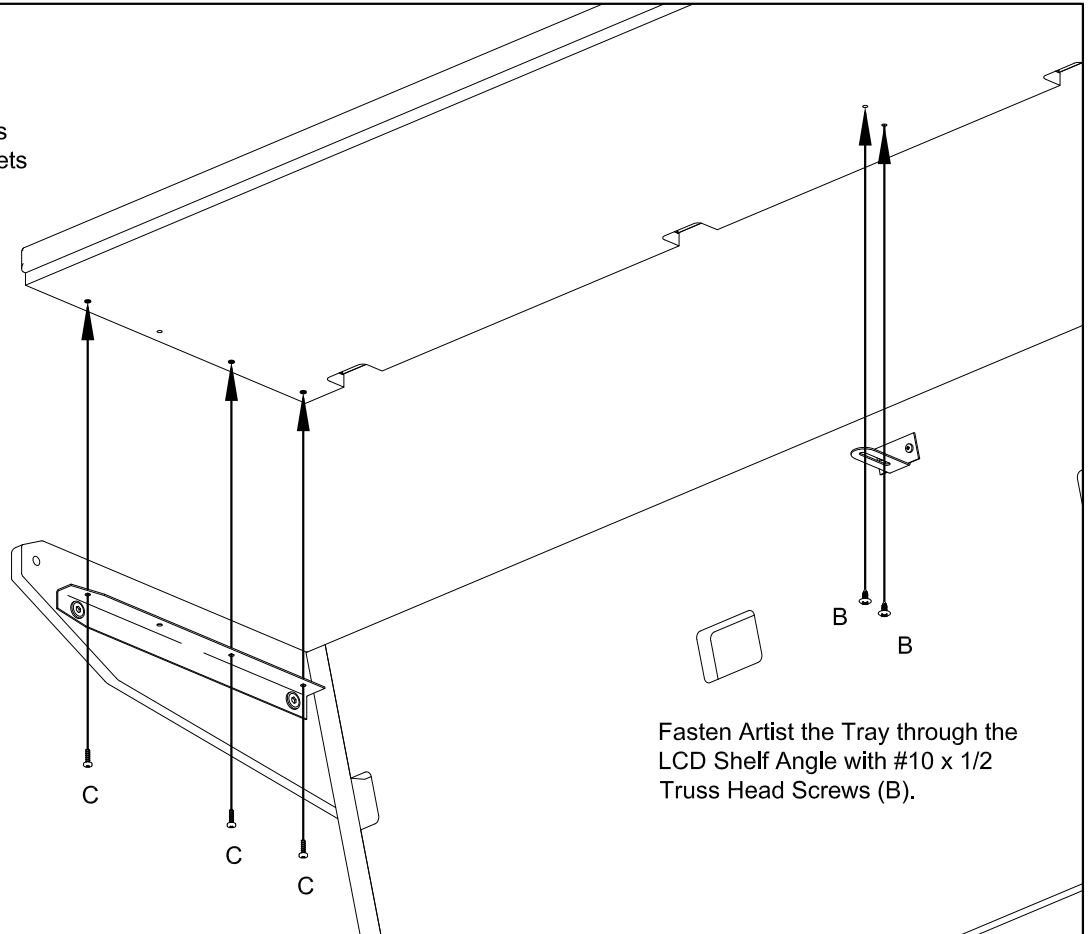


Step 1

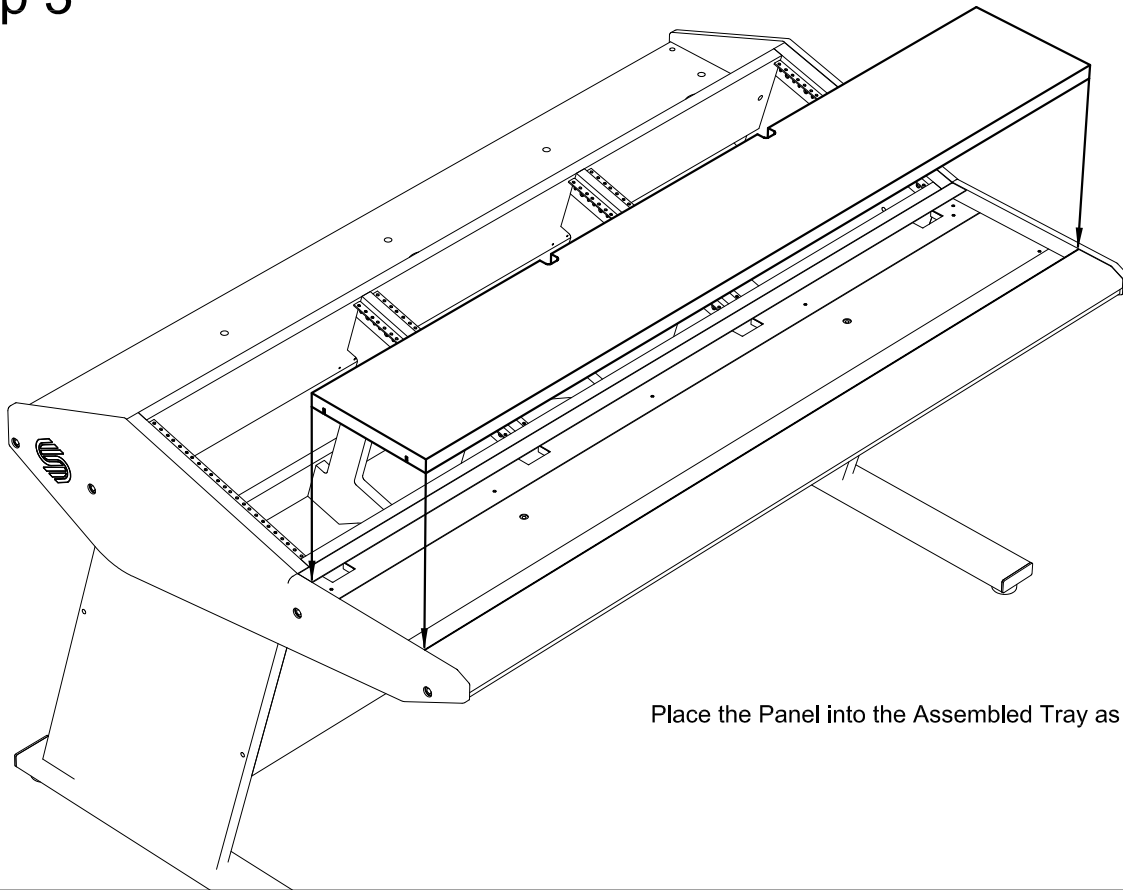


Step 2

Position the Tray over the Brackets as shown and Fasten through the Brackets with #8 x 5/8 Pan Head Screws (C). Repeat Assembly for Right Side.



Step 3



Place the Panel into the Assembled Tray as shown.

Step 4

Fasten the Panel through the Brackets and Assembled Tray with #8 x 1 1/2 Pan Head Screws (A). One Screw for each side and one in the center.

