

# API "The Box" Plan D-style *Mixer Conversion Console*

By Sterling Modular



The Sterling Modular line of Mixer Conversions is a complete line of furniture. Each one is designed for a specific Mixing Console. Built with the same ingenuity as our very popular Plan Series Audio Mastering Consoles, these Mixer Conversions Consoles are ideal for setting up your mixing station.

This API "The Box" Plan D-style Mixer Conversion is designed with your comfort in mind, as well as your workflow. It has a recessed top shelf so that the QWERTY keyboard is at the same height as the leading edge of the mixing Console. The mixing engineer doesn't have to raise his/her hands to go from the keyboard to the mixer and back. It has the most rack space in the industry at 48ru. And, as with all of our products, a little or a lot, of customization is possible.

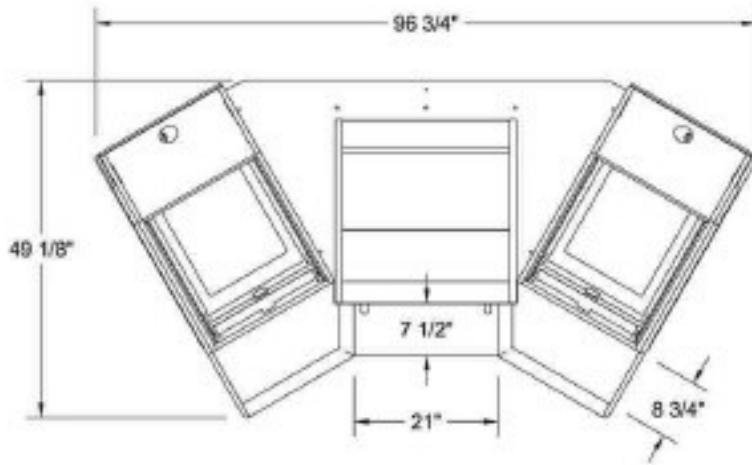
Heat Dissipation, Low Acoustic Impact, and Ergonomics are the hallmarks of Sterling Modular.

Sterling Modular  
704 E. 4<sup>th</sup> St., Unit #2  
Boyertown, PA 19512  
610-369-5802  
[www.sterlingmodular.com](http://www.sterlingmodular.com)



# API "The Box" Plan D-style *Mixer Conversion Console*

By Sterling Modular



## Available Option & Accessories

### LCD Arms

LCD1A-14  
LCD1A-28  
LCD2A-28  
LCD1R5  
LCD1R8  
LCD1R10

### Side Trim Options

Brushed Aluminum  
Basic Black  
Ash, Clear (standard)  
Ash, Light Stain, Medium Brown, and  
Dark Brown  
Red Oak, Medium Brown Stain

### Natural Maple

Bubinga (African Rosewood)  
Weathered Wood  
Sapele Reddish Stain (Mahogany), and  
Dark (Walnut)

### Speaker Platforms and Pedestals

SPB19S (P), 11 x 19", Single (Pair)  
Platform  
SPB11S (P), 11 x 11", Single (Pair)  
Platform  
SPP89S (P), 8 1/2 x 9 3/4" Single (Pair)  
Pedestal (requires mounting rail  
option)

As always, our design team is available to provide advice, and if needed, help you to create the custom solution that meets your specific application and requirements.

Sterling Modular  
704 E. 4<sup>th</sup> St., Unit #2  
Boyertown, PA 19512  
610-369-5802  
[www.sterlingmodular.com](http://www.sterlingmodular.com)

