

API 1608, Plan B-style *Mixer Conversion Console*

By Sterling Modular



The Sterling Modular line of Mixer Conversions is a complete line of furniture. Each one is designed for a specific Mixing Console. Built with the same ingenuity as our very popular Plan Series Audio Mastering Consoles, these Mixer Conversions Consoles are ideal for setting up your mixing station.

This API 1608 Mixer Conversion is designed with your comfort in mind, as well as your workflow. It has a recessed top shelf so that the QWERTY keyboard is at the same height as the leading edge of the mixing Console. The mixing engineer doesn't have to raise his/her hands to go from the keyboard to the mixer and back. It has the most rack in the industry at 48ru. And, as with all of our products, a little or a lot of customization is possible.

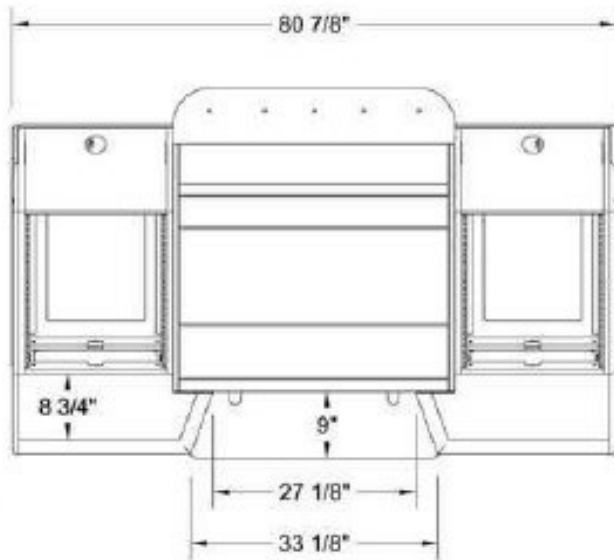
Heat Dissipation, Low Acoustic Impact, and Ergonomics are the hallmarks of Sterling Modular.

Sterling Modular
704 E. 4th St., Unit #2
Boyertown, PA 19512
610-369-5802
www.sterlingmodular.com



API 1608, Plan B-style *Mixer Conversion Console*

By Sterling Modular



Available Option & Accessories

LCD Arms

LCD1A-14
LCD1A-28
LCD2A-28
LCD1R5
LCD1R8
LCD1R10

Side Trim Options

Brushed Aluminum
Basic Black
Ash, Clear (standard)
Ash, Light Stain, Medium Brown, and
Dark Brown
Red Oak, Medium Brown Stain

Natural Maple

Bubinga (African Rosewood)

Weathered Wood

Sapele Reddish Stain (Mahogany), and
Dark (Walnut)

Speaker Platforms and Pedestals

SPB19S (P), 11 x 19", Single (Pair)
Platform

SPB11S (P), 11 x 11", Single (Pair)
Platform

SPP89S (P), 8 1/2 x 9 3/4" Single (Pair)
Pedestal (requires mounting rail
option)

As always, our design team is available to provide advice, and to help you to create the custom solution that meets your specific application and requirements.

Sterling Modular
704 E. 4th St., Unit #2
Boyertown, PA 19512
610-369-5802
www.sterlingmodular.com

