

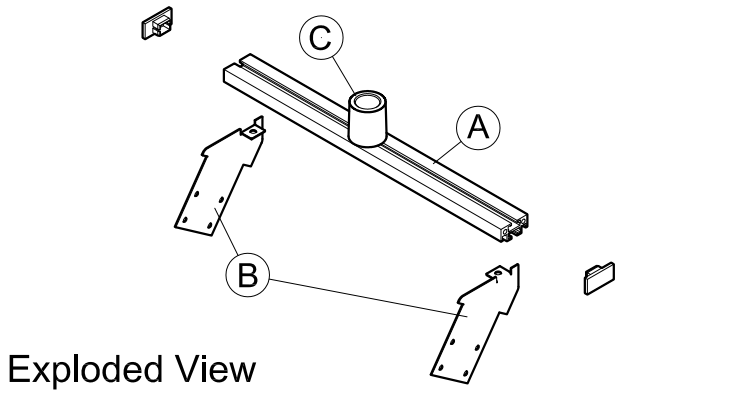
Mounting Rail - Info Sheet

The Mounting Rail assembly is used for mounting speaker platforms and lcd arms to the Plan Series consoles. This NEW versatile assembly replaces the old "LCD Arm mounting block".

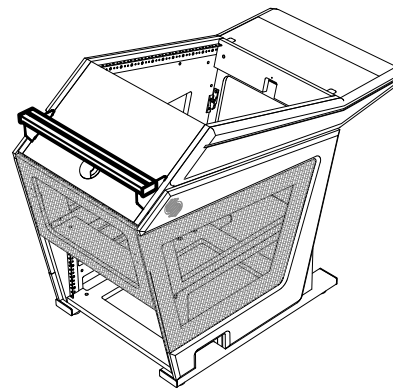
The aluminum slotted rail (A) is attached to the console "Rack Pod" by installing the rail brackets (B). Various speaker and display arms can be attached to the rail by installing one or more "Mounting Cups" (C) to the rail.

The Mounting Rail assembly comes complete with all mounting hardware, trim caps and assembly instructions. The "Mounting Cup" (C), is included in each "Speaker Platform" or "LCD arm" assembly.

Shown below are some of the rail configurations. More detailed configuration options can be viewed when navigating through the specific Plan Series "build your console" web pages. Each "Plan Series" console page includes one or more "LCD MONITOR CLEARANCE GUIDES" that clearly illustrate the various sizes and location options of the Mounting Rails.

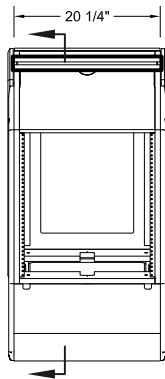


Exploded View

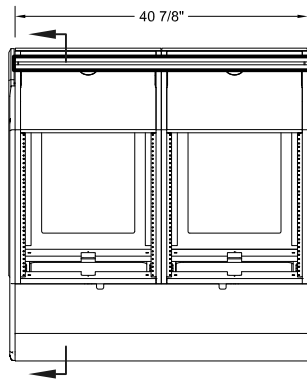


One Bay Rail

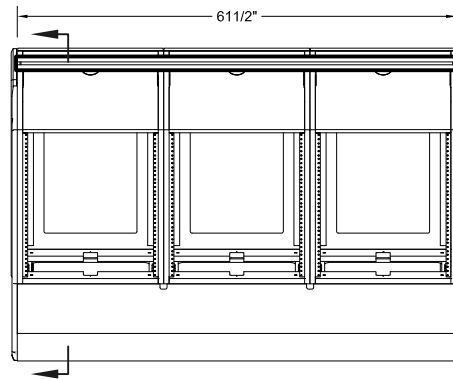
Shipping Info		
Rack Span	Weight	Boxes
1 Bay	4 lbs	1 Box
2 Bay	8 lbs	1 Box
3 Bay	10 lbs	1 Box



1 Bay

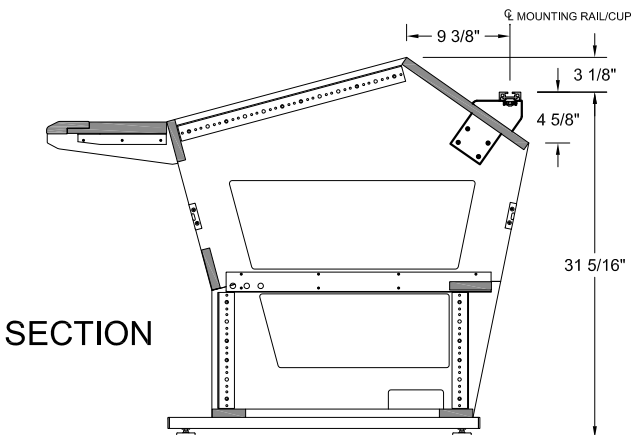


2 Bay



3 Bay

More detailed configuration options can be viewed when navigating through the specific Plan Series "build your console" web pages.



SECTION

Can also be used on Plan C, D, E and F. Please call for information.

