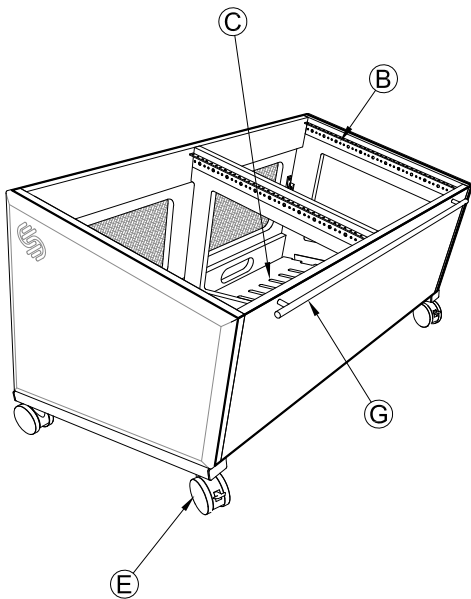
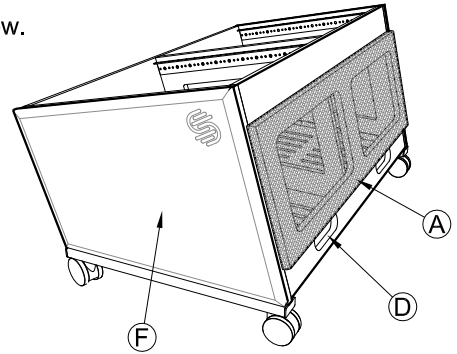


Dual Face Up Rack - Specifications

Features

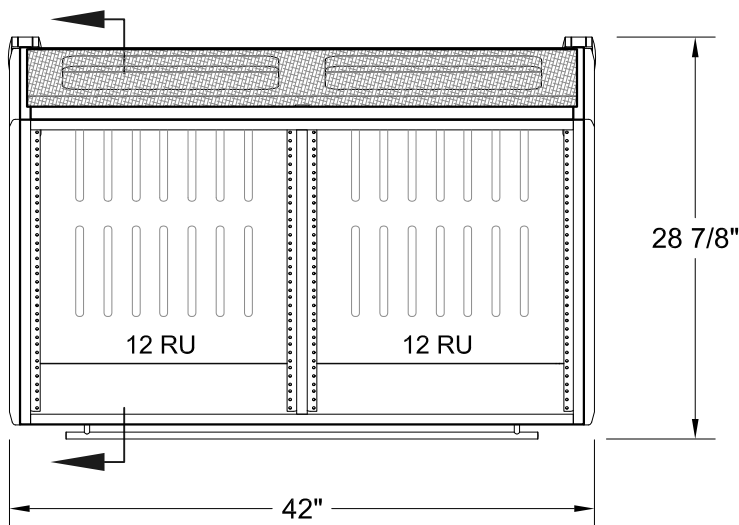


- A) Fabric covered thermal vent panel.
- B) 12RU front rack rail per side w/Sterling Modular exclusive 1/2RU hole spacing.
- C) Slotted bottom panel for ample air flow.
- D) Rear hole for cable management.
- E) 3" Rubberized Casters with brakes for the front.
- F) Changeable side Panels
- G) Full length Handle

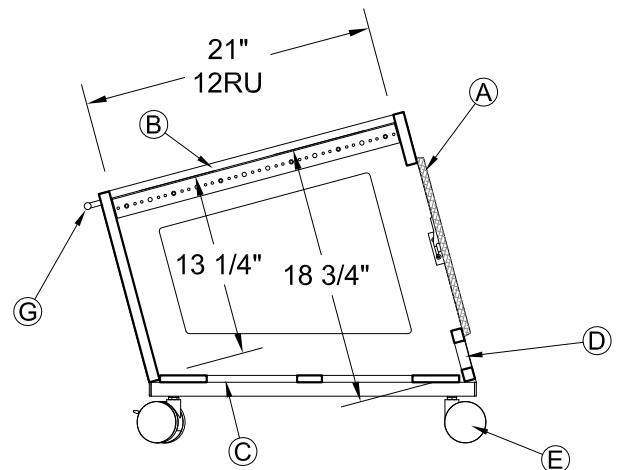


Shipping Info

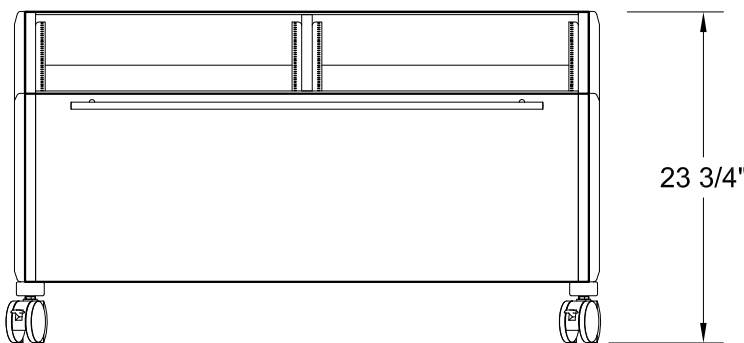
Number of Boxes - 2
Shipping weight - 100 Lbs



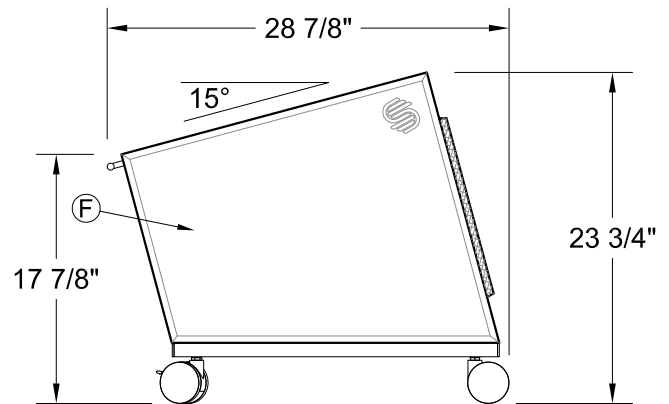
PLAN



SECTION



FRONT



RIGHT SIDE