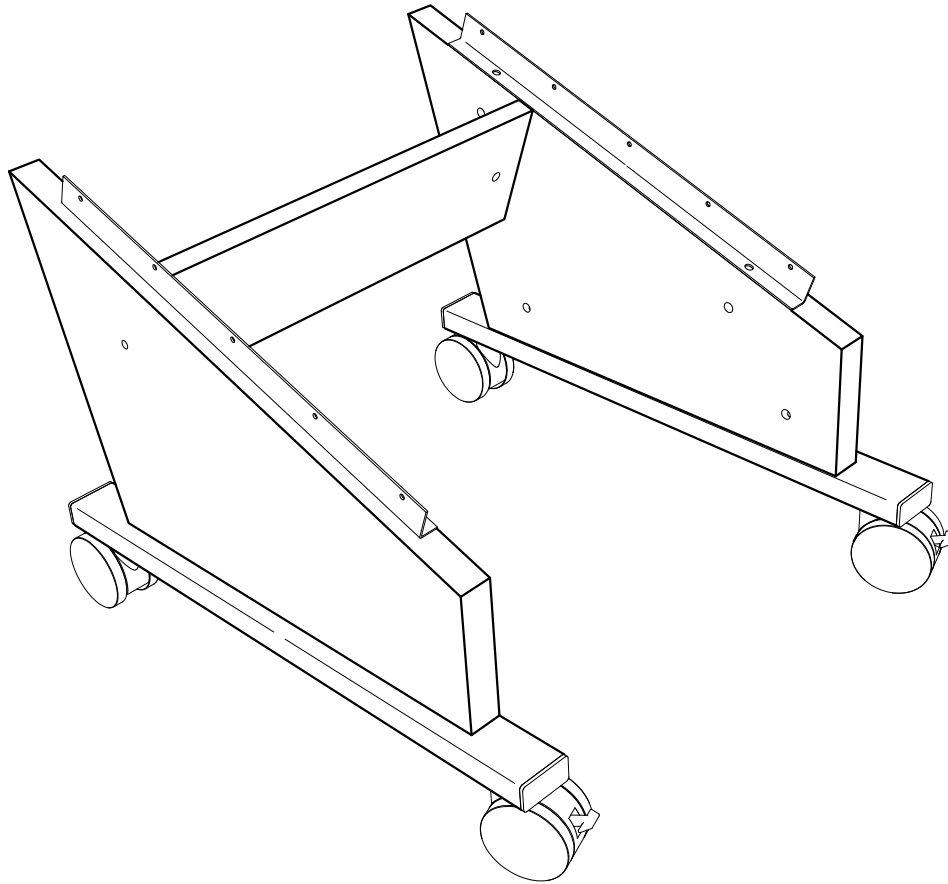


Face-Up Assembly Instructions - Riser Option



Thank you for your purchase from Sterling Modular Systems, Inc.
We hope you have years of success with this finely engineered piece of furniture.

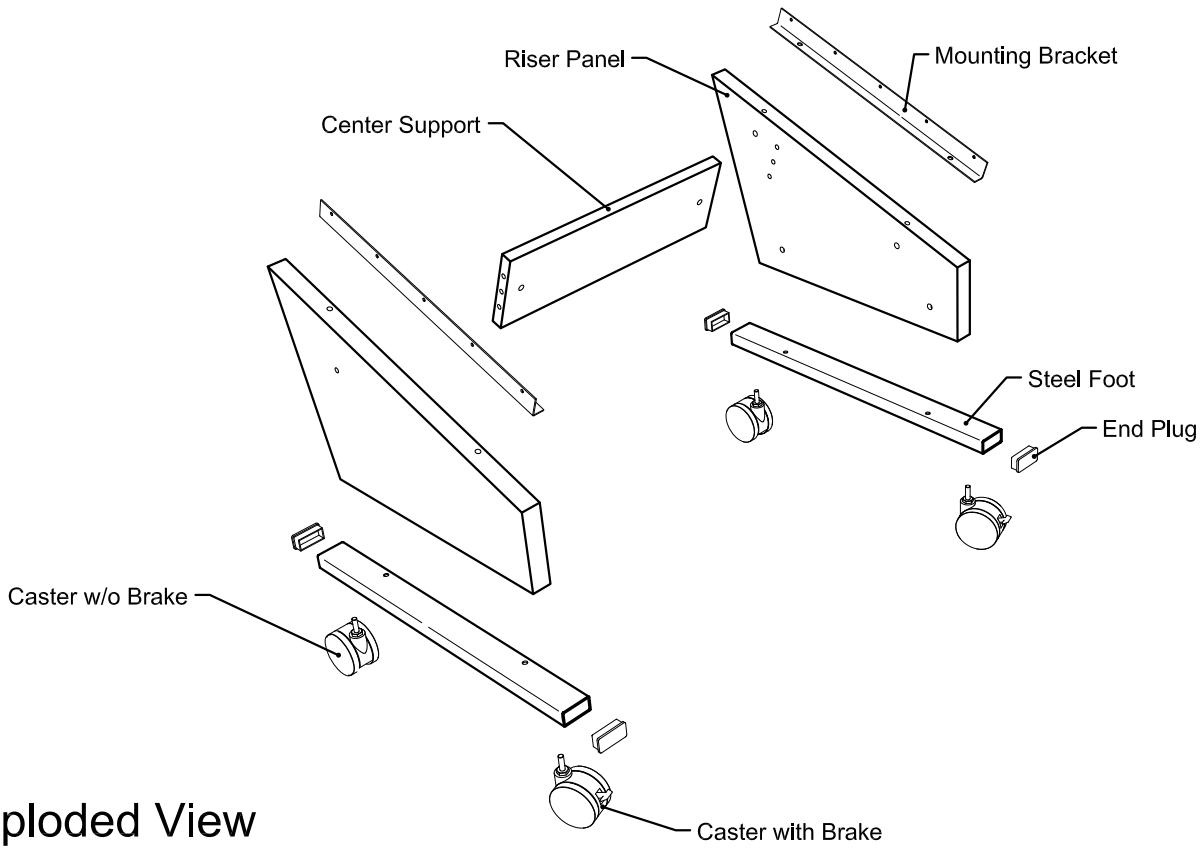
If you have any questions regarding assembly, missing or damaged pieces.
Please contact us:

Telephone: 610-369-5802 (8am to 3pm EST)
Email: sales@sterlingmodular.com

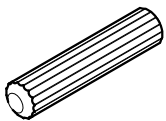
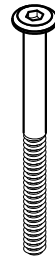
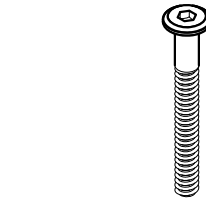
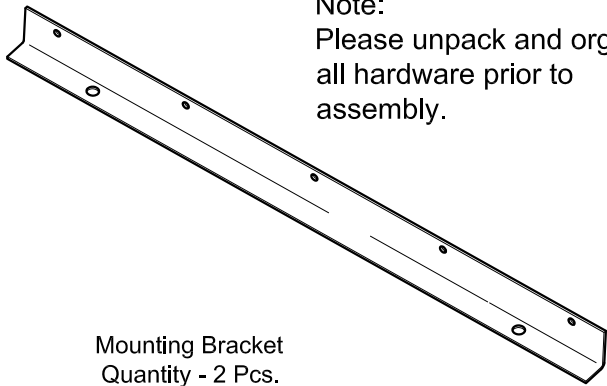
Thank You,
Sterling Modular Systems, Inc.



Face-Up Assembly Instructions - Riser Option

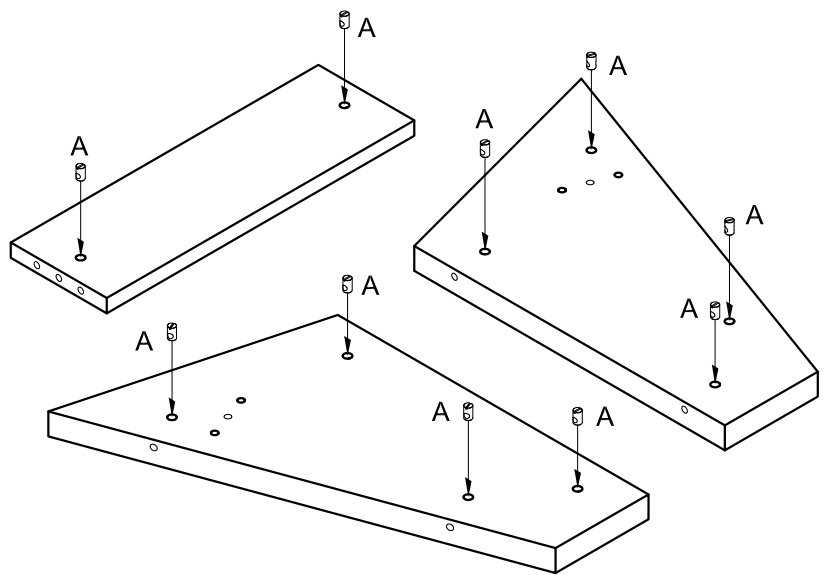
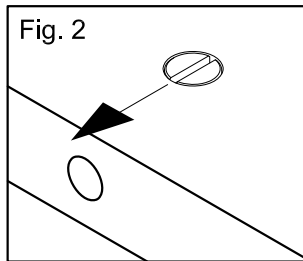


Note:
Please unpack and organize
all hardware prior to
assembly.



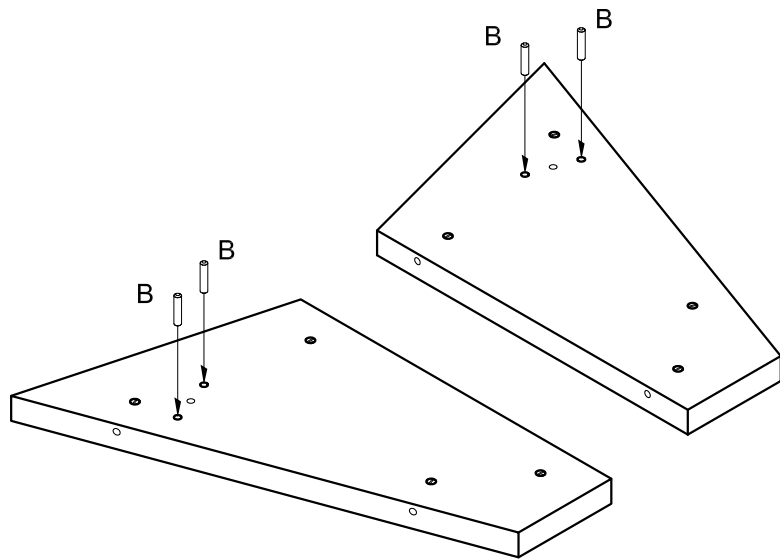
Step 1

Place the Right Riser, Left Riser, and Riser Support on a flat surface.
Insert Connector Nuts (A) in the holes with the slotted end facing up, and align as shown in Figure 2.



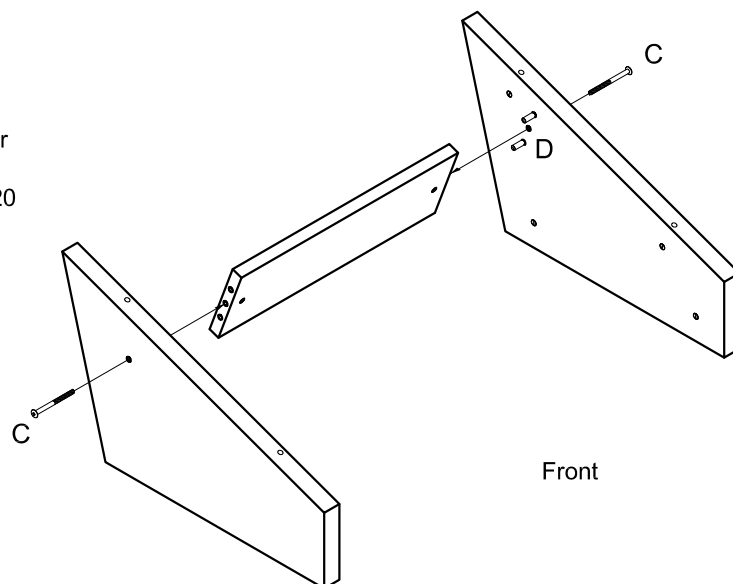
Step 2

Insert Wood Dowels (B) as shown.



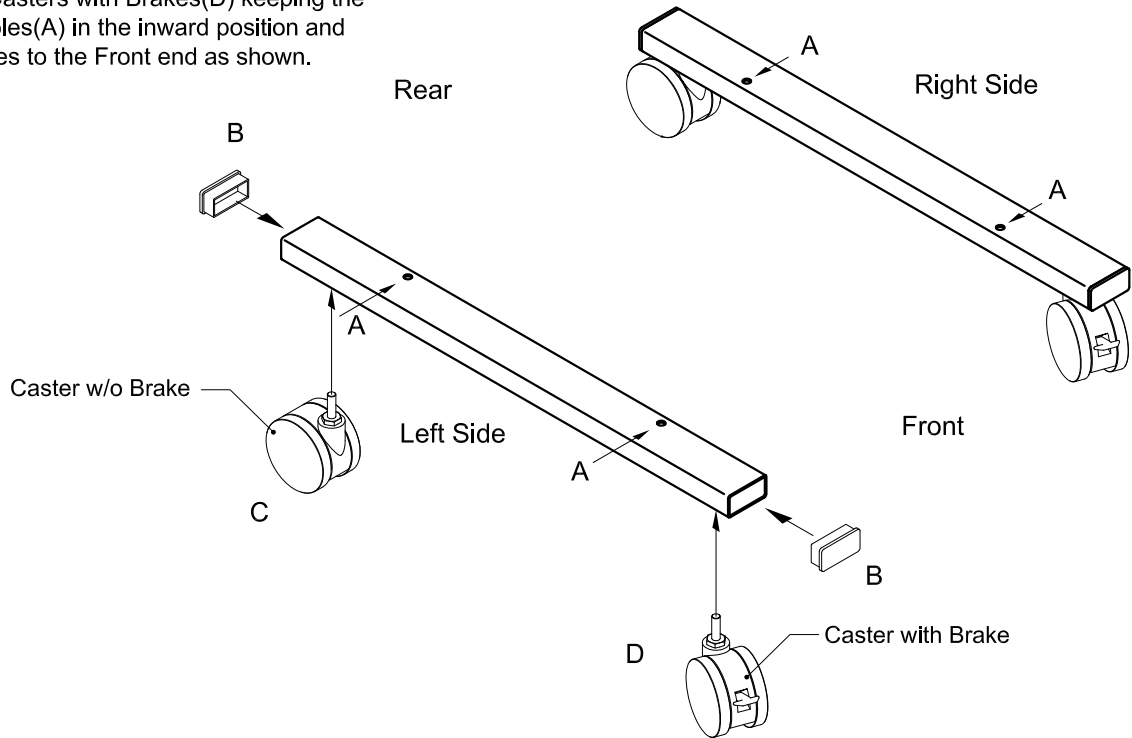
Step 3

Assemble the Riser Sides and Center Support as shown. Press Sides to Center Support using Wood Dowels (D) for alignment and Fasten with 80mm x 1/4-20 Connector Bolts (C).



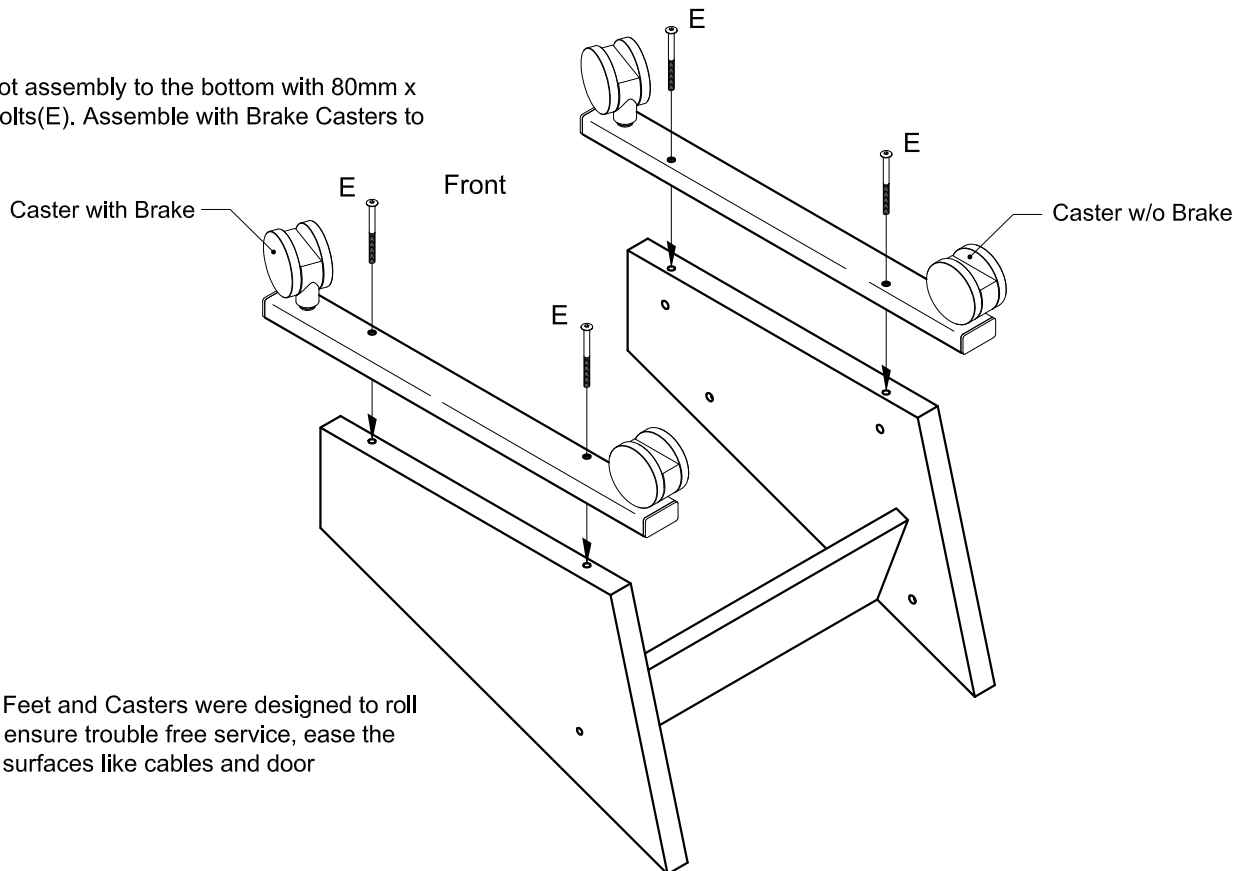
Step 4

Insert the End Caps(B) into the steel tube ends.
To assure proper assembly, attach the Casters w/o Brakes(C) and the Casters with Brakes(D) keeping the offset attachment holes(A) in the inward position and the Casters w/ Brakes to the Front end as shown.



Step 5

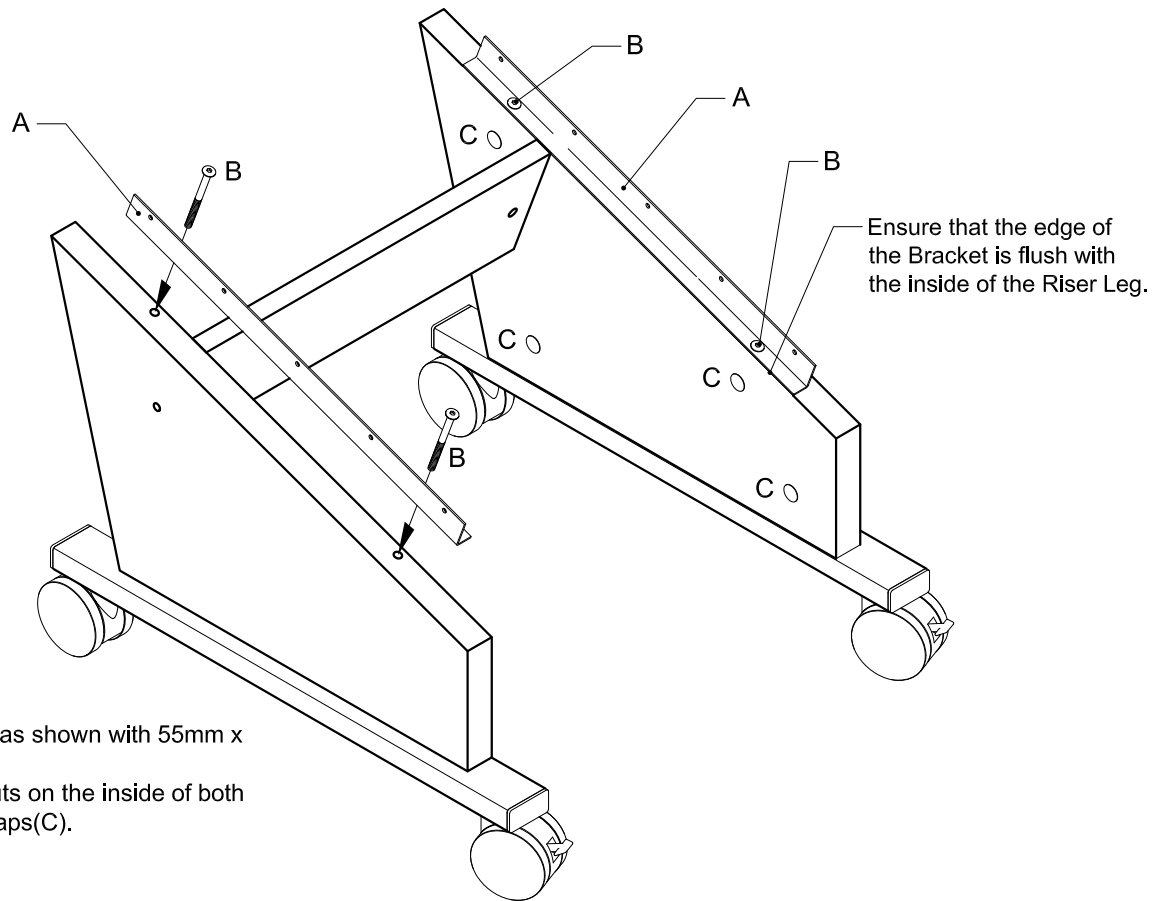
Attach the Steel Foot assembly to the bottom with 80mm x 1/4-20 Connector Bolts(E). Assemble with Brake Casters to the Front.



Note:
The mounted Steel Feet and Casters were designed to roll on flat surfaces. To ensure trouble free service, ease the casters over raised surfaces like cables and door thresholds.

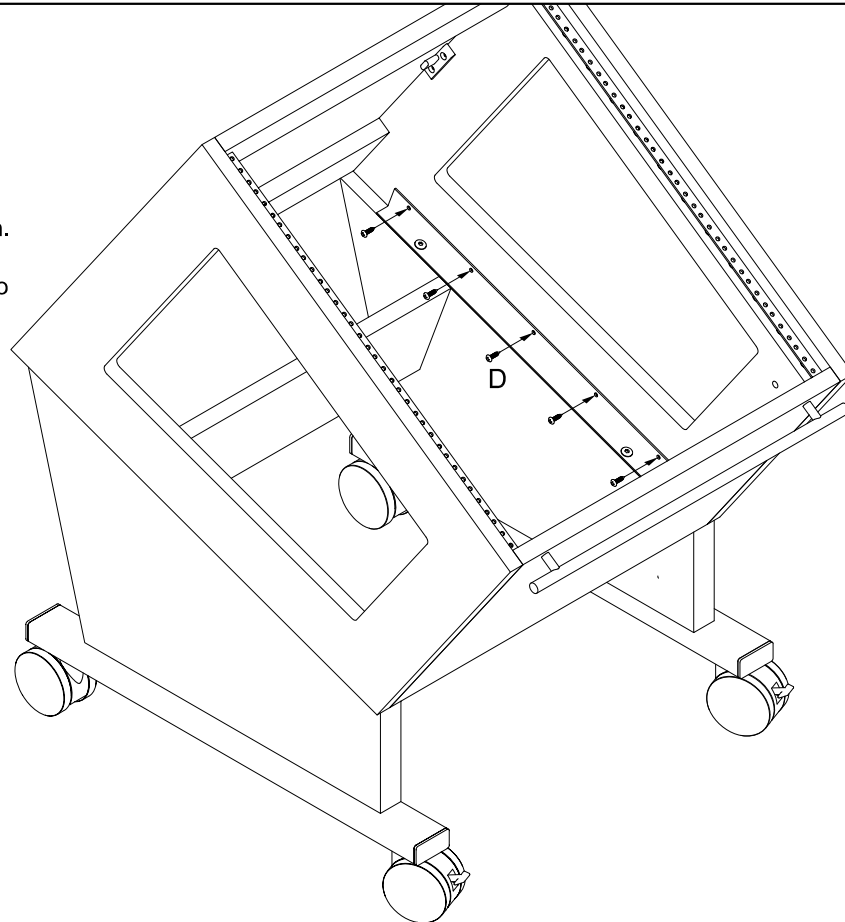


Step 6



Step 7

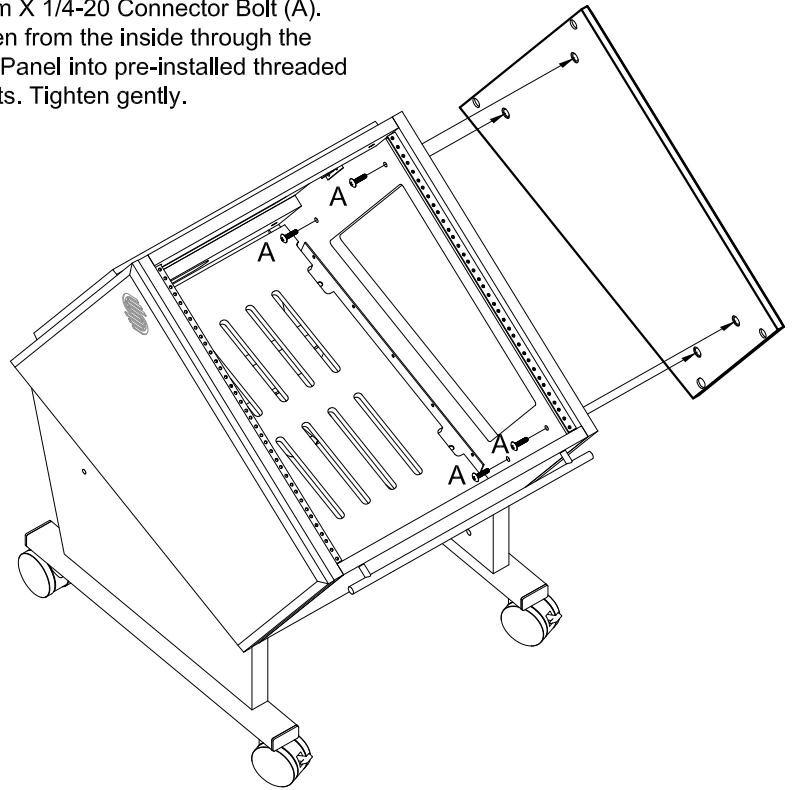
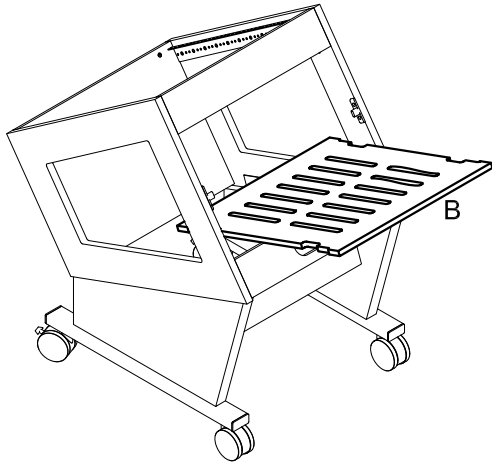
Gently place the Face-Up carcass on to the assembled riser as shown. Align holes. Using (10) #8-5/8" Pan Head Screws(D), attach the Riser to the Carcass.



Step 8

Before Attaching the Finished End Panels, Install the slotted Bottom Panel(B) through the back opening as shown.

Attach both Finished End Panels with 30mm X 1/4-20 Connector Bolt (A). Fasten from the inside through the Side Panel into pre-installed threaded inserts. Tighten gently.



Step 9

To attach the removable Fabric Panel. Press the Panel against the back Rails and Sides(A). Push downward(B) until locked in position(C).

