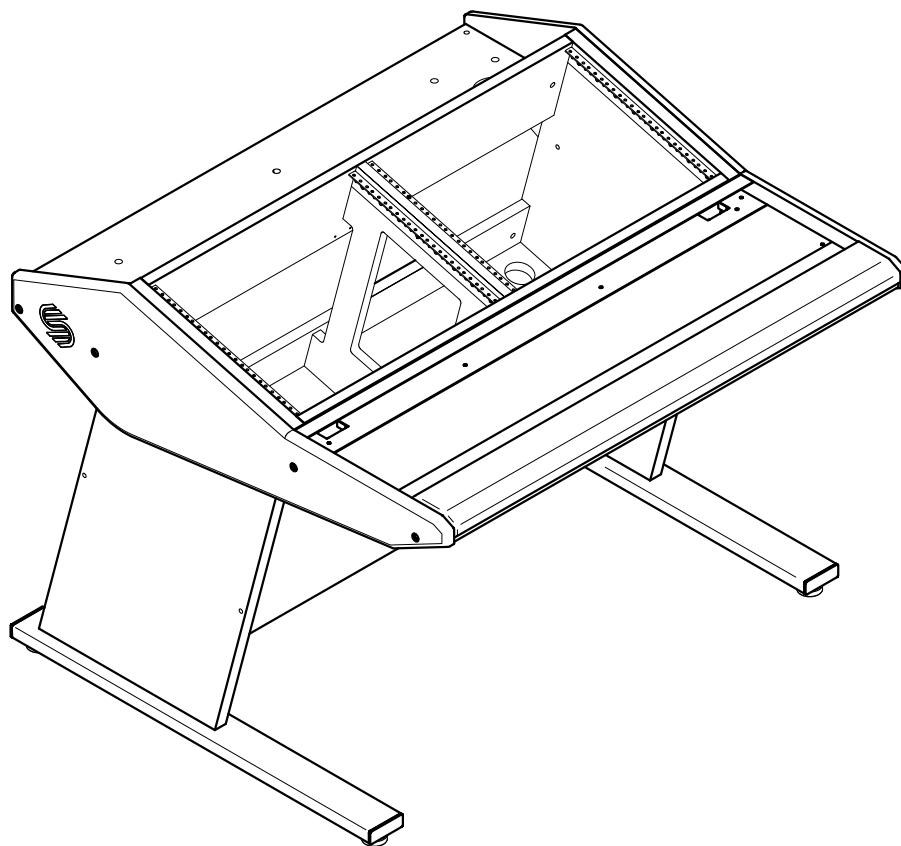


# Multi Station 2 Bay - Assembly Instructions - Artist Option



Thank you for your purchase from Sterling Modular Systems, Inc.  
We hope you have years of success with this finely engineered piece of furniture.

If you have any questions regarding assembly, missing or damaged pieces.  
Please contact us:

---

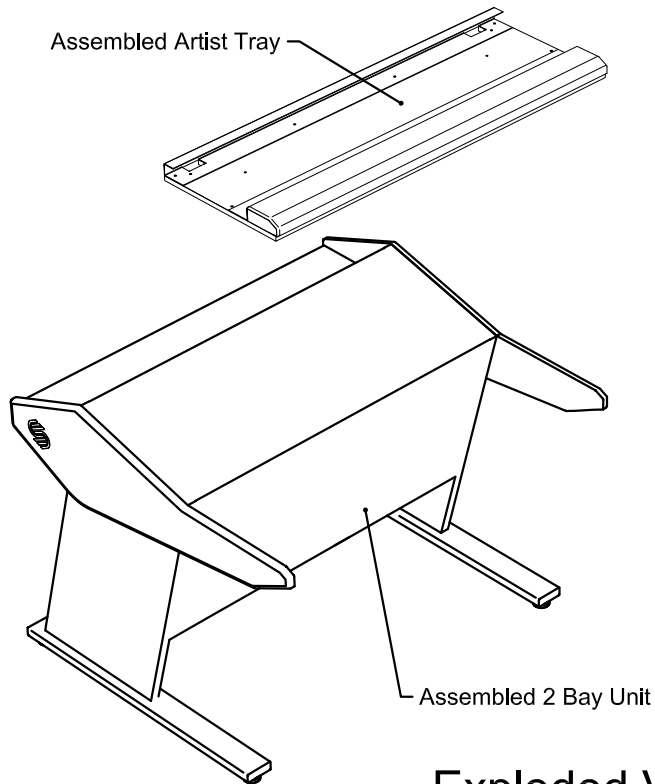
Telephone: 610-369-5802 (8am to 3pm EST)  
Email: [sales@sterlingmodular.com](mailto:sales@sterlingmodular.com)

---

Thank You,  
Sterling Modular Systems, Inc.



# Components

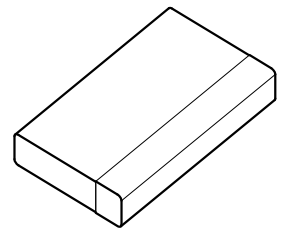
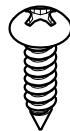
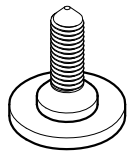
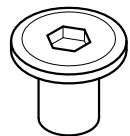
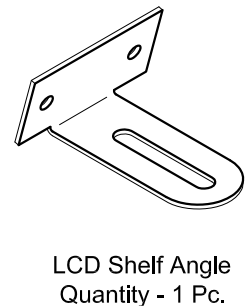
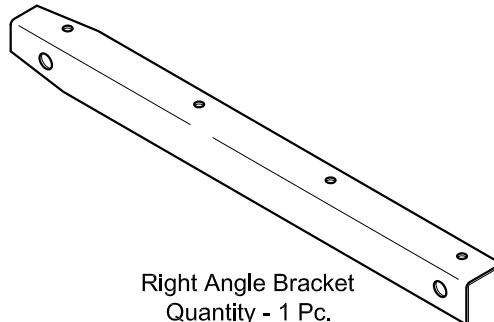
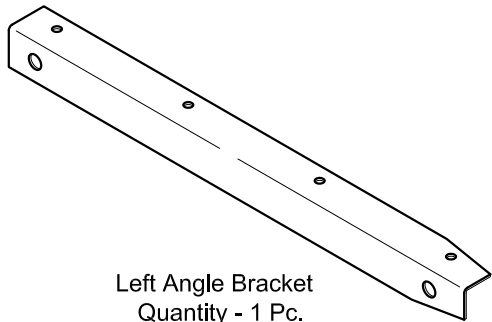


## Exploded View

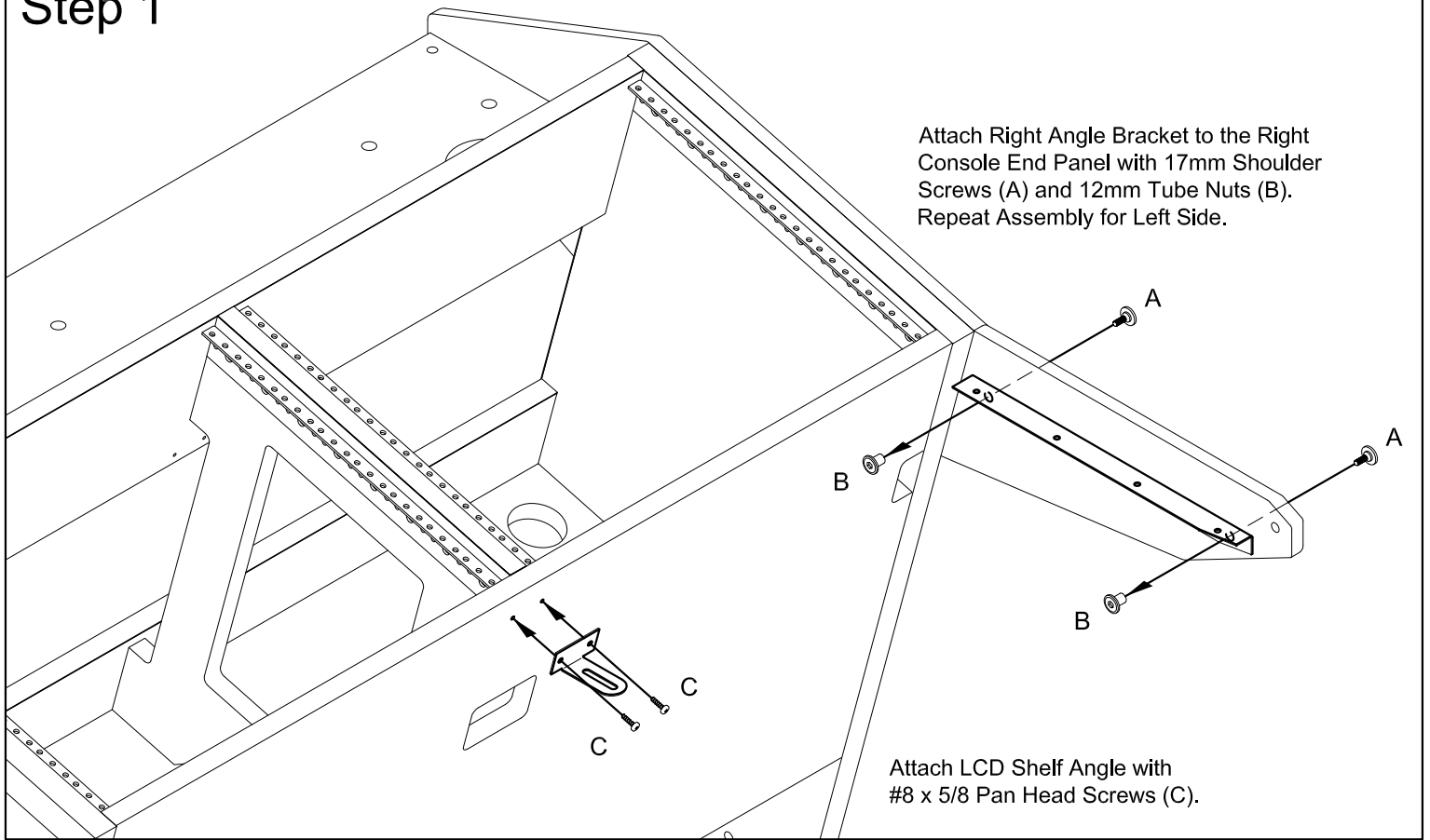
## Hardware

Note:

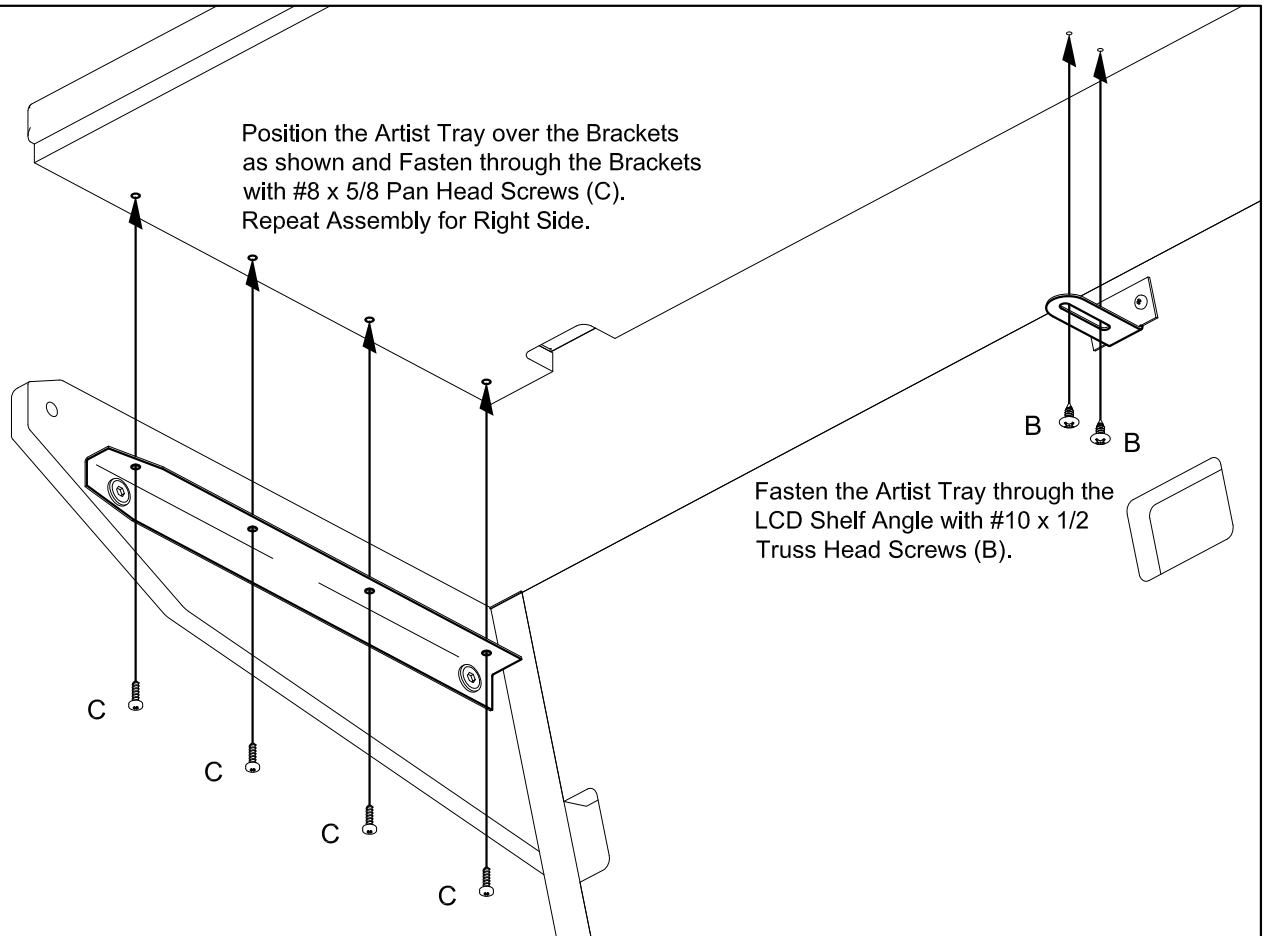
Please unpack and organize all components and hardware prior to assembly.



# Step 1



# Step 2



## Step 3

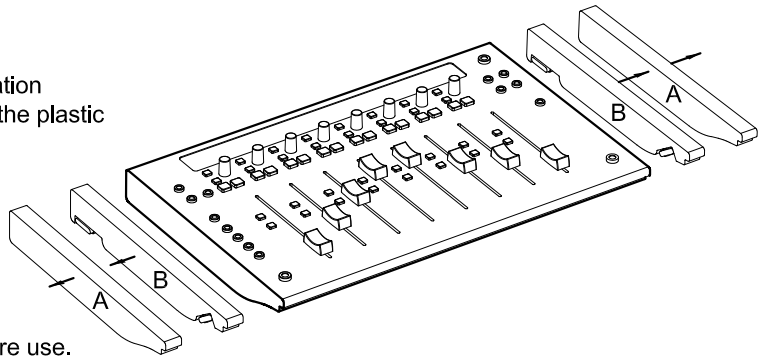
This console assembly and proper Avid component installation requires that you remove the decorative end caps (A) and the plastic end plates (B).

This is required for the Mix, Control and Transport units.

Refer to your Avid users manual for instructions.

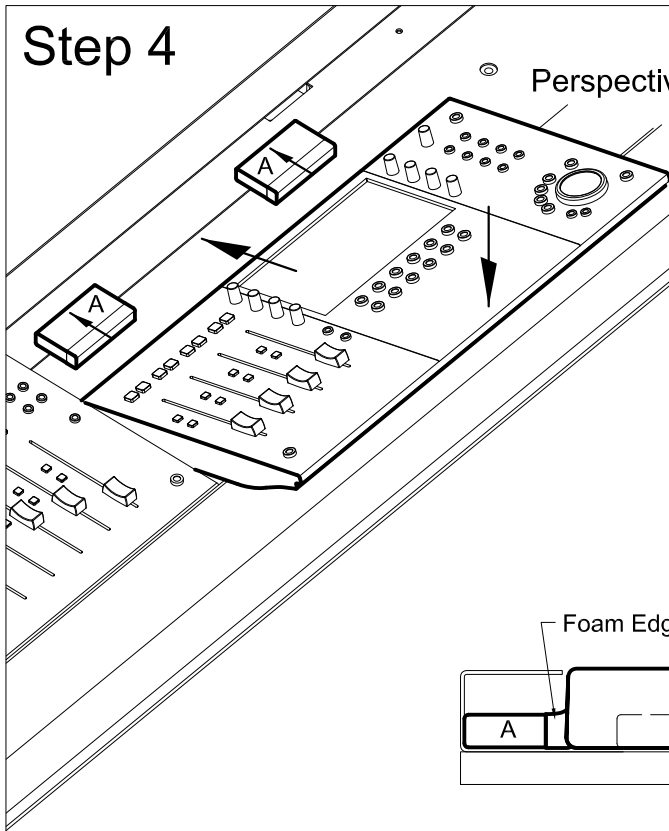
Note:

Do not discard these items as they may be needed for future use.



## Step 4

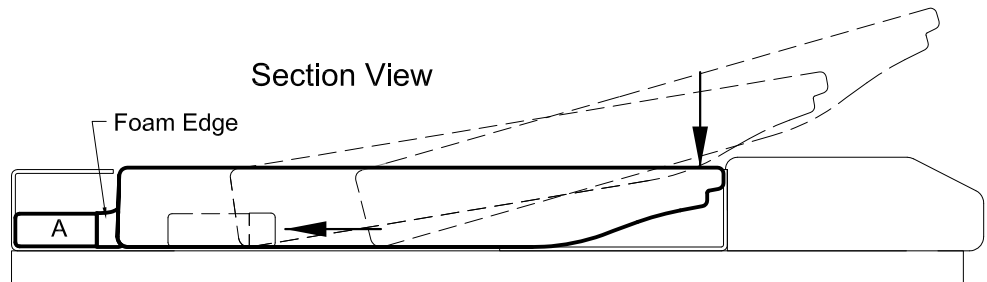
Perspective View



Installing Avid Components:

- 1) Rout and connect the Power and Data cables to the unit.
- 2) Slide the spacer blocks (A) into the metal 'C' channel as shown. Ensure that the foam cap is facing you. (note: use 2 blocks for mix or control and 1 for transport)
- 3) Place the unit as shown and push forward against the spacer blocks then down on the back edge seating the Avid component into the metal tray.

Section View



## Step 5

The 2 Bay example shown is one of many configurations that are possible with the 2 Bay and 3 Bay Multi-Station consoles.

While your console and configuration may be different, the process is the same for all.

When installing these components, work left to right or vice versa, and carefully rout the data and power cables as you move forward.

