

API 1608

“Pro Series” Console

By Sterling Modular



Sterling Modular offers a complete line of beautifully appointed furniture, accessories, and options to improve your

workflow and ensure your comfort to get the most out of your API 1608. Each component was designed specifically to blend seamlessly with API 1608 Consoles and carefully considered as a part of the whole, down to the last detail, even the nosing and front rails.

Sterling Modular
704 E. 4th St., Unit #2
Boyertown, PA 19512
610-369-5802
www.sterlingmodular.com

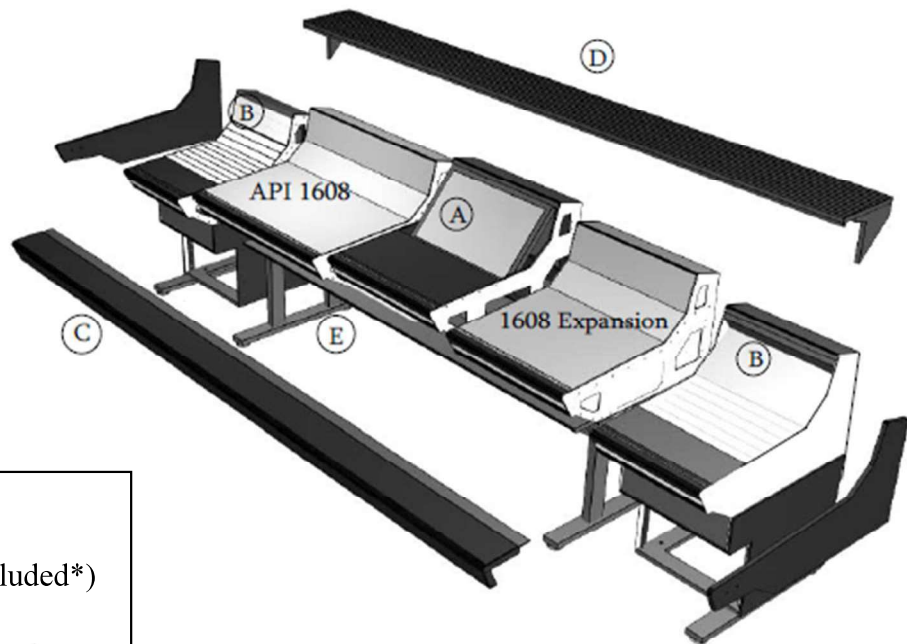


“Pro Series” Console

By Sterling Modular

Sterling Modular is the “ONLY” furniture manufacturer that employs such a detailed approach to console enhancement. We use API nosing and front rails to maintain the OEM appearance and convenience to make your API function flawlessly.

*We look forward to building
your studio “centerpiece”.*



- A) Console Bucket
 - B) Patch bays
 - C) Bolster (std. side trim is included*)
 - D) Speaker Bridge
 - E) Steel Stand
 - F) Keyboard Shelf, sliding (not shown)
- * Custom Side Trim can be ordered.

Sterling Modular
704 E. 4th St., Unit #2
Boyertown, PA 19512
610-369-5802
www.sterlingmodular.com



"Pro Series" Console

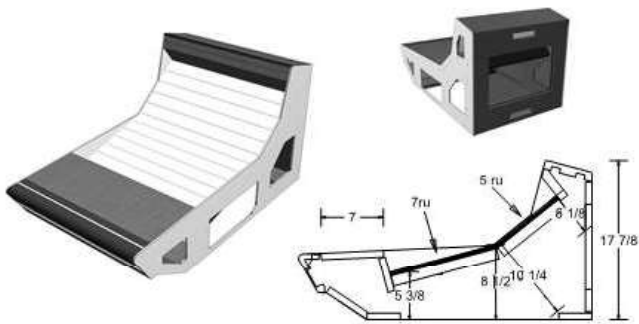
By Sterling Modular

Console Bucket Options

Pro Series Console Buckets are designed to provide you with several configurations for racking electronics and / or for patch bays, too, and for various sizes of writing surfaces, producer desks, and DAWs. They are shipped replete with API Nosing and front rails.

As always, our design team is available to provide advice, and if needed, to help you to create the custom solution that meets your specific application and workflow.

Shown here are only a few of the possibilities. Call us to see how we can build your dream console.



Console Bucket #1 is a 12ru configuration and is shipped complete with rack rail and a rear vented access panel (shown at far right). Throughout, the blank 1ru rack panels are not included.

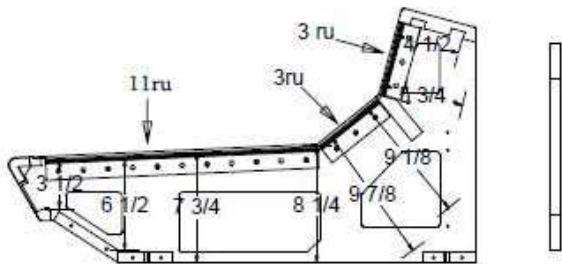


Console Bucket #2 is shipped with rack rail, rear vented panel and assembled.

CB #2 Option A
Is a 7ru console bucket with 7" writing surface (included in base price).

CB #2 Option B
Is a 19" writing surface with no horizontal rack spaces. There are two 3ru sections at the back.

CB #2 Option C
Includes an Avid Artist Rack Tray with 4ru toward the back plus two 3ru sections.
Pro Series Bucket Options are



“Pro Series” Console

By Sterling Modular



designed to give the mixing engineer additional production desk space and provide locations for computer monitoring, keyboard, mouse, and writing surface.

The Console Buckets on this page are only a small sampling of the possible configurations.

The width of these buckets width will be determined by the size of the monitor and customer preferences. And most likely incur an additional charge for a longer stand.

Console

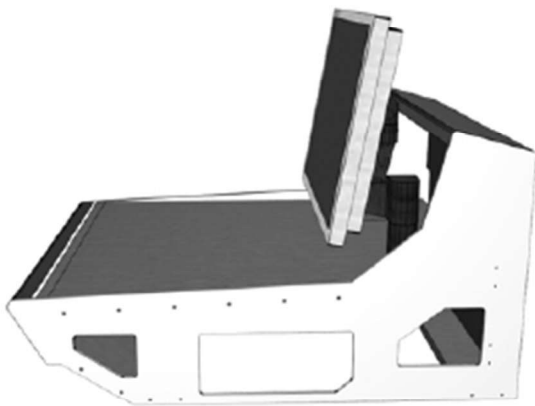
Bucket #3,

above, is a flat surface (21” deep) with 5ru of rack space in the bridge section. Its standard width is 19”. However, it can be extended to the width required to meet a unique requirement.

Console Bucket #4, right, has a 12” (30cm) front writing surface. There is a recess for a computer monitor. (A MAC 24” is shown, not included.) The width of this bucket will vary by the monitor size and any unique requirements.



Console Bucket #5, left, has an extended desk surface that is the full depth of the bucket. It features pre-drilled holes for adding an LCD arm (not included) providing more flexibility for monitor positioning. The standard width of this bucket, as with any bucket is determined by the monitor size and customer preferences.



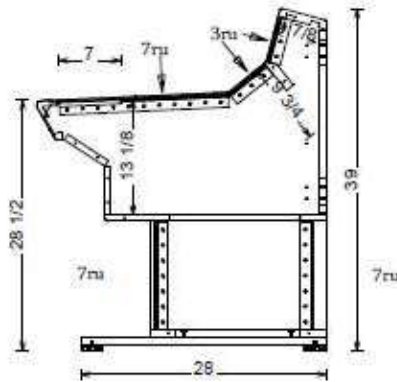
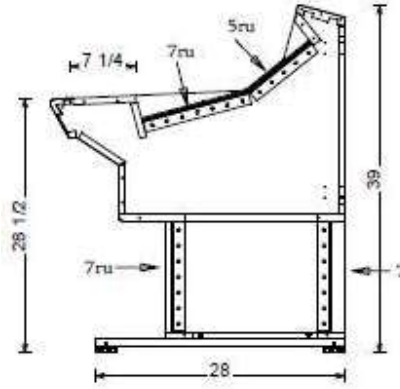
"Pro Series" Console

By Sterling Modular

Patch Bay Options

Patch bay #1

Has a 7" deep writing surface and features 12ru of rack space that is angled in a classic patch bay manner. It also is replete with a vented rear panel.



Patch bay #2

Has a 7" writing surface that can be removed to reveal an additional 5ru of shallow rack space that follows the contour of the API 1608 Console.

- 1) Patch bay cabinets are fabricated with 3/16" aluminum side panels to match the API dividers and console profile.
- 2) The assembly includes a steel foot with heavy duty levellers that match the steel legset.
- 3) Rear removeable vented panels are included.
- 4) All components (with the notable exception of the aluminum side panels) are black laminate, or durable black texture finish.
- 5) All rack rails are included.
- 6) Patch bays are shipped assembled.
- 7) Machine screws and locking nuts for assembly to the API 1608 are included.
- 8) Correct installation requires that the side panels of the API 1608 are removed and reinstalled on the outside of the patch bay(s). The patch bay must be secured to the API 1608 using the supplied hardware.
- 9) Patch bay nosing and aluminum rail match the API 1608 nosing and trim.

"Pro Series" Console

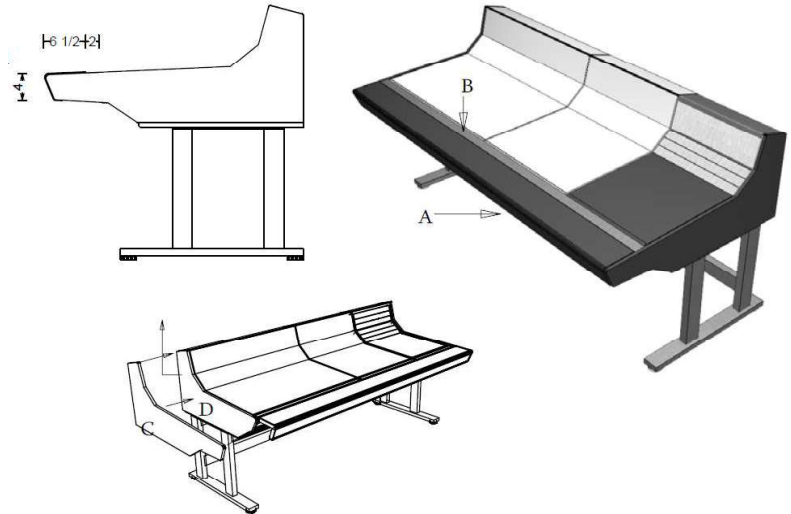
By Sterling Modular

Padded Bolster

The padded bolster (A) is 4" high x 6½" deep and is covered with ¼" foam padding under a high grade, durable (non-PVC) vinyl. There is a 2" wide black aluminum strip (B) that separates the bolster from the console body. (It is handy for track strips.)

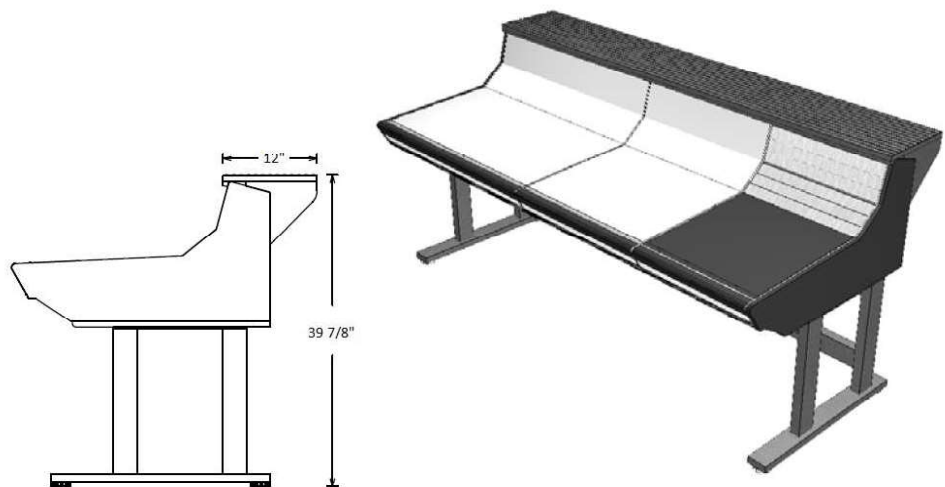
The bolster assembly comes complete with two extended black console end panels (C) that support the bolster. These panels match the API 1608 side panels but can be ordered in a variety of wood species.

NB Bolster assembly must be ordered at the same time as the console bucket(s) and / or patch bays, due to assembly and support considerations.



Speaker Bridge

The speaker bridge is 12" deep and runs the full length of the console and is fabricated using ¾" melamine coated MDF. MDF is used since it has greatly reduced resonance compared with other materials. (Shown at right, is an API 1608 plus expansion and one Console Bucket #1.) It is covered with a 1/8" thick rubber matting. It is designed to rest on the bridge of the console and should be secured using the screws provided.



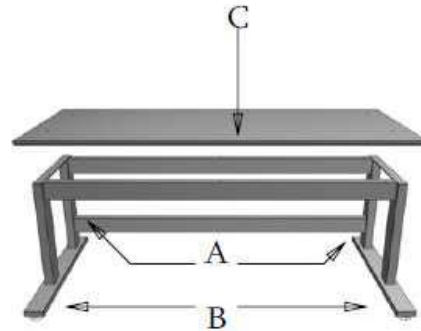
Sterling Modular
704 E. 4th St., Unit #2
Boyertown, PA 19512
610-369-5802
www.sterlingmodular.com



“Pro Series” Console

By Sterling Modular

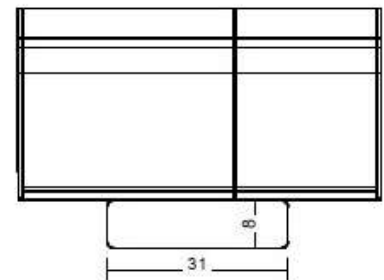
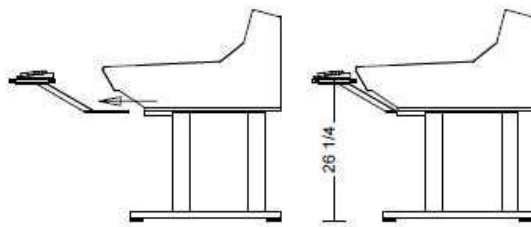
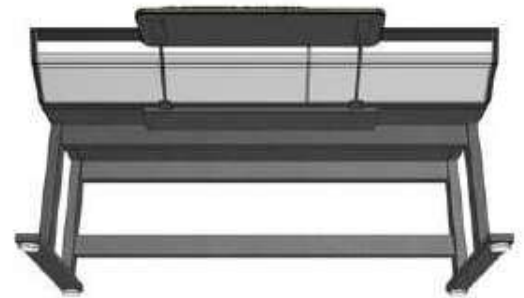
Steel Stand



The Steel Stand is designed and built to provide worry-free stability for the API 1608 Console and its Expansion Options. The four tubular legs (A) and horizontal support rails are made of 1½” x 3” x 0.083” (14ga steel). The tubular steel feet (B) are made from 1” x 3” x 0.083” wall (14ga steel) with heavy duty 2 ½” levellers. The platform (C) on which the API 1608 (plus expansion) rests is fabricated using ¾” melamine coated MDF with a durable edge finish. The Frame ships in two or more cartons and requires assembly.

Keyboard Tray

The Keyboard Tray is made of the same durable material as the steel stand platform. The brackets that support the tray are made of steel and slide in and out. The tray can also be removed. All mounting holes are pre-drilled to make the installation easy.



Sterling Modular
704 E. 4th St., Unit #2
Boyertown, PA 19512
610-369-5802
www.sterlingmodular.com

