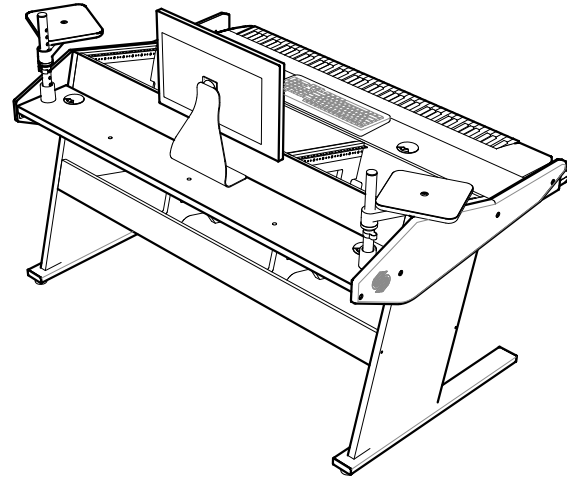
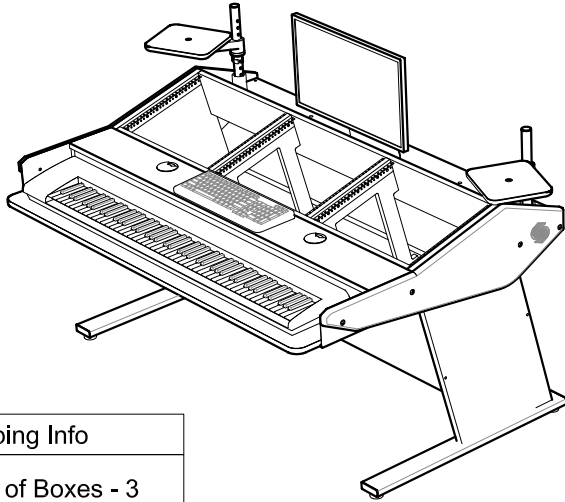


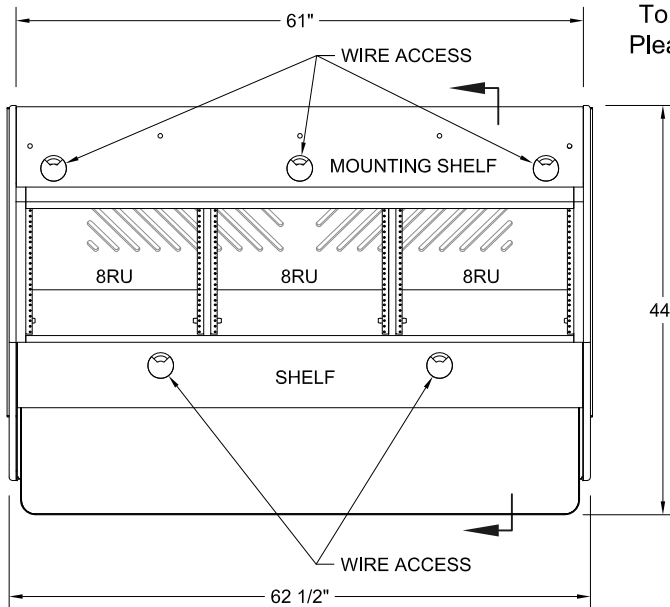
Multi-Station Composer Controller 3 Bay - Console Specifications



Shipping Info

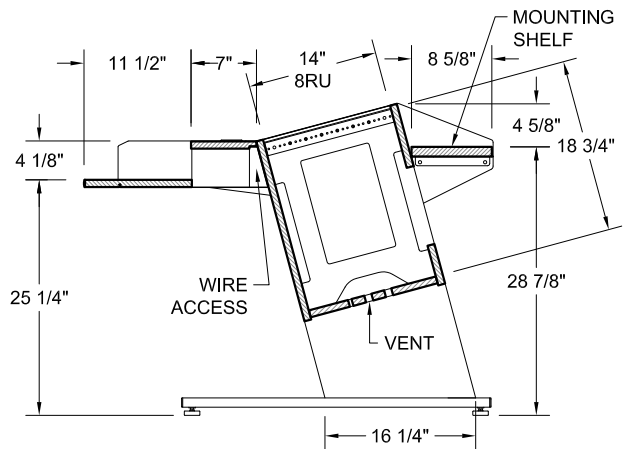
Number of Boxes - 3
Shipping weight - 211 Lbs

For keyboards up to 5 1/2"H x 10 1/2"D x 60 3/4"L
(Shown with optional speaker platforms.)

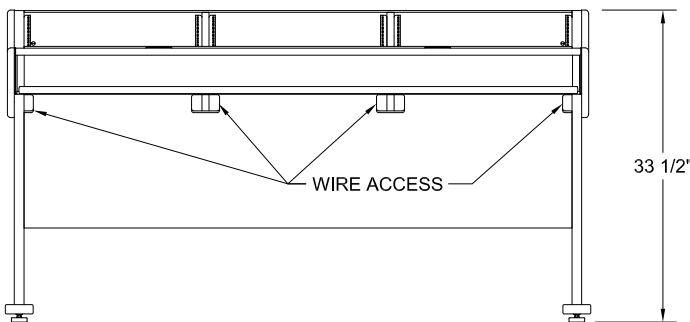


PLAN

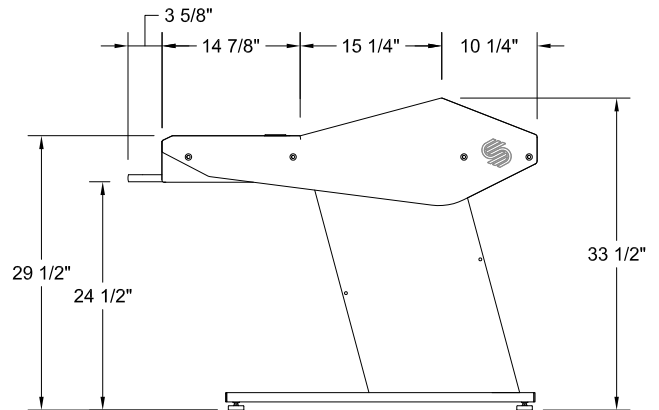
To be sure that you get the configuration that best suits your needs. Please provide us with the make and model of your keyboard and we will provide a dimensional drawing for your approval.



SECTION

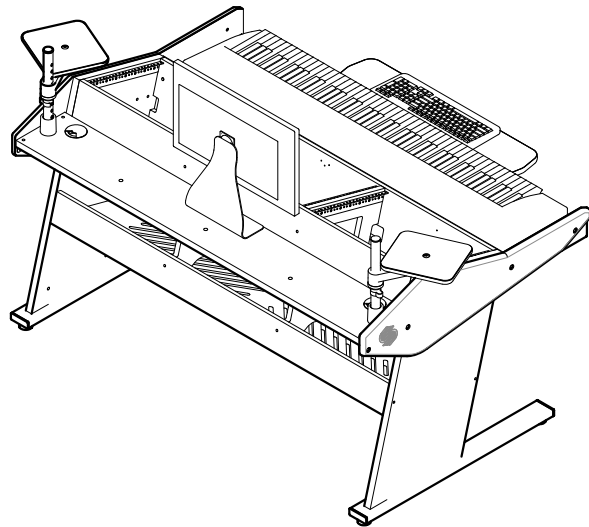
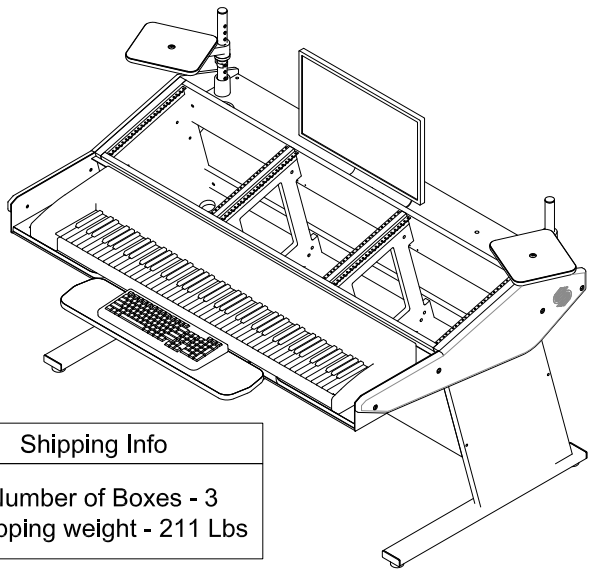


FRONT



RIGHT SIDE

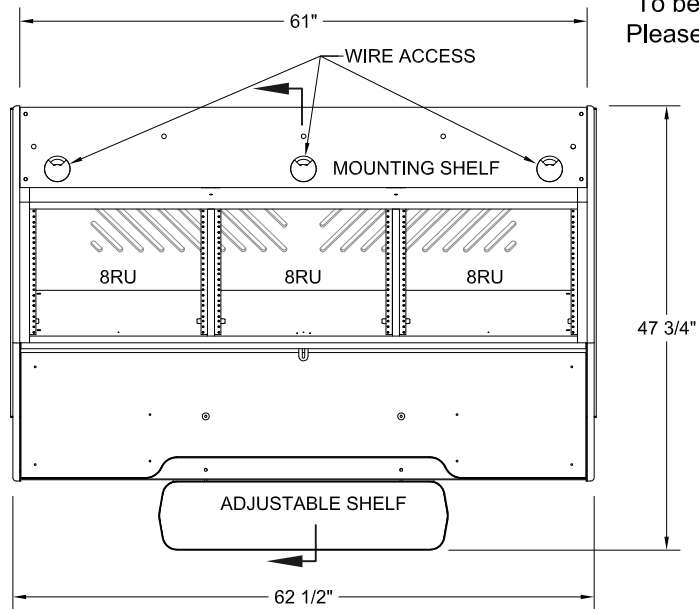
Multi-Station Composer Workstation 3 Bay - Console Specifications



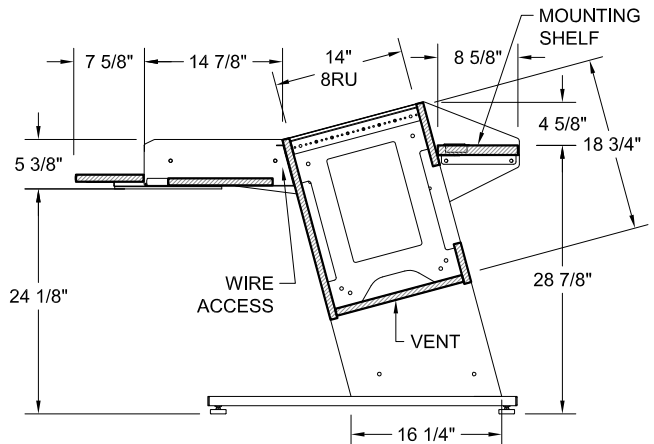
Shipping Info
 Number of Boxes - 3
 Shipping weight - 211 Lbs

For keyboards up to 5 1/2"H x 15"D x 60 3/4"L
 (Shown with optional speaker platforms.)

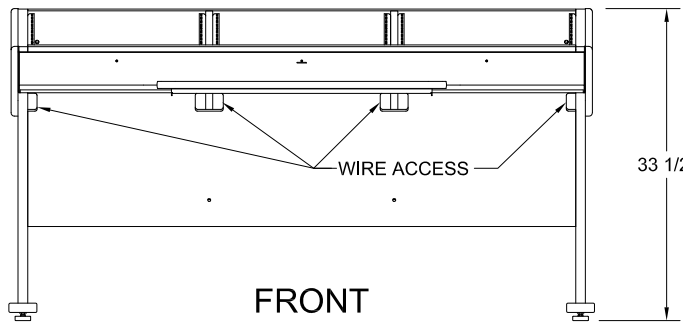
To be sure that you get the configuration that best suits your needs. Please provide us with the make and model of your keyboard and we will provide a dimensional drawing for your approval.



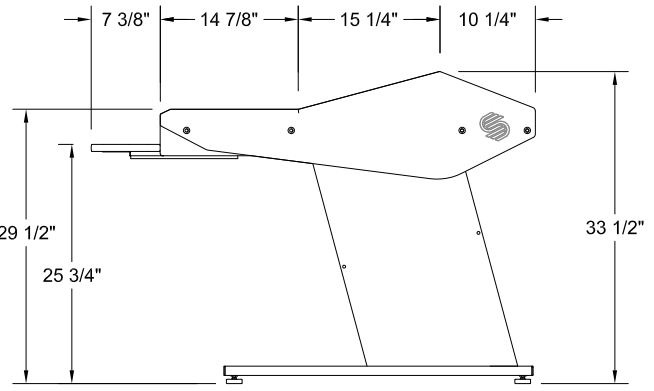
PLAN



SECTION



FRONT



RIGHT SIDE