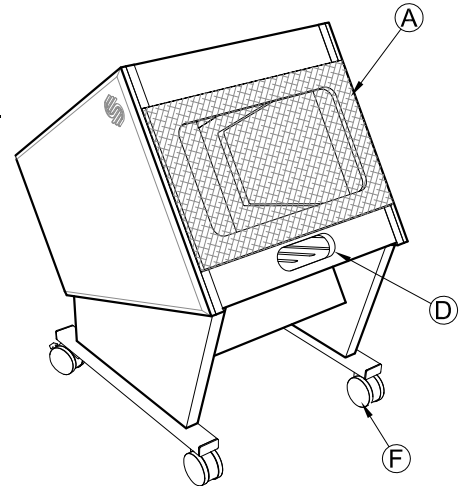
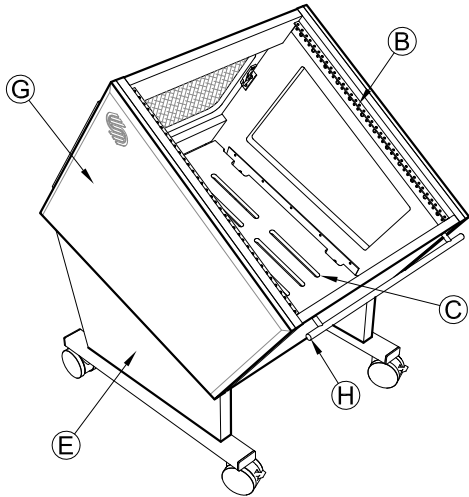


Raised Face Up Rack - Specifications

Features

- A) Fabric covered thermal vent panel.
- B) 12RU front rack rail w/Sterling Modular exclusive 1/2RU hole spacing.
- C) Slotted bottom panel for ample air flow.
- D) Rear hole for cable management.
- E) Raised Base.
- F) 3" Rubberized Casters with brakes for the front.
- G) Changeable side Panels
- H) Full length Handle



Shipping Info
Number of Boxes - 2
Shipping weight - 78 Lbs

