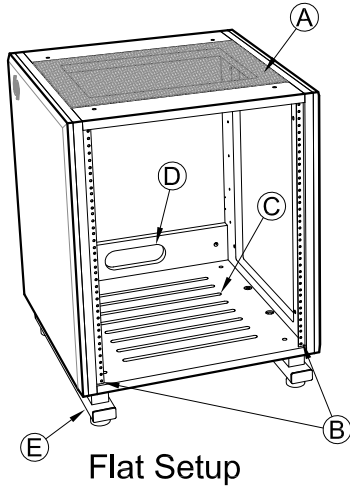


# Versa II One Bay Rack

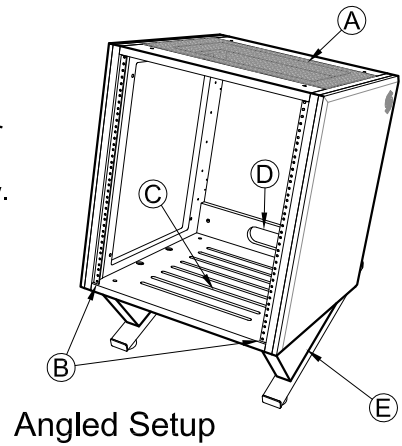
## Features / Specifications

### Features

- A) Fabric covered thermal vent panels.
- B) 13RU front rack rail w/Sterling Modular exclusive 1/2RU hole spacing.
- C) Slotted bottom panel for ample air flow.
- D) Rear hole for cable management.
- E) "Base Kit".



Flat Setup

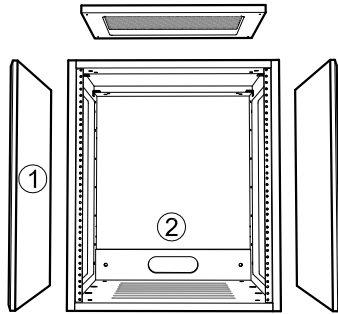


Angled Setup

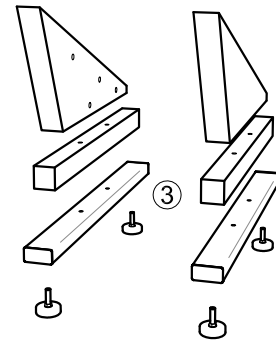
#### Shipping Info

Number of Boxes - 3  
Shipping weight - 61 Lbs

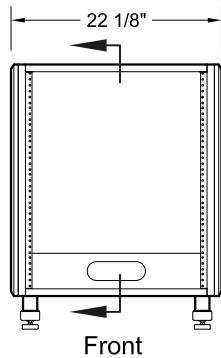
### What's Included



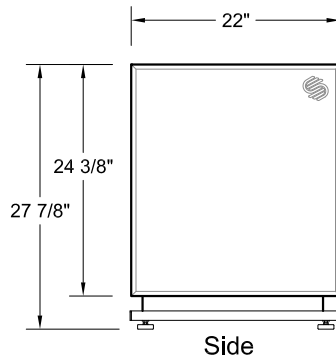
- 1) Side Panels
- 2) Rack Box
- 3) Base Kit



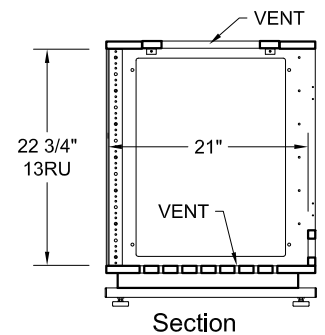
### Flat Setup Specification



Front

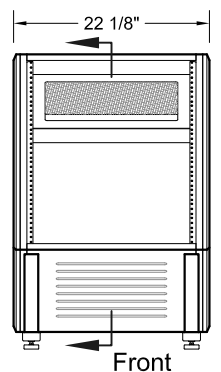


Side

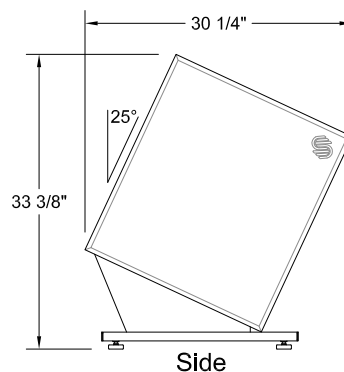


Section

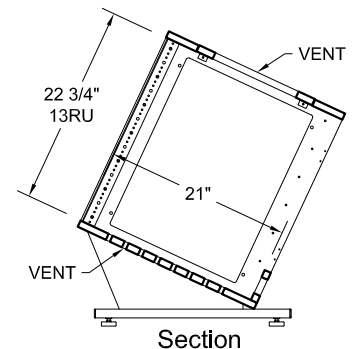
### Angled Setup Specification



Front



Side

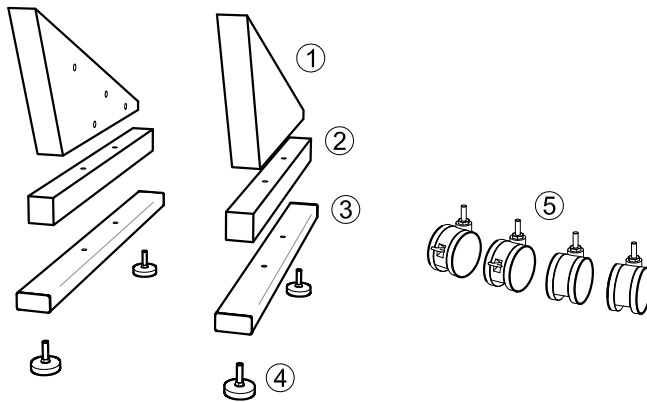
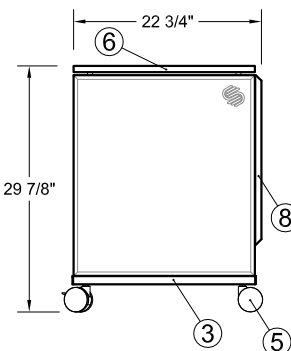
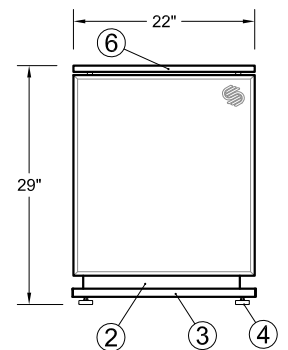
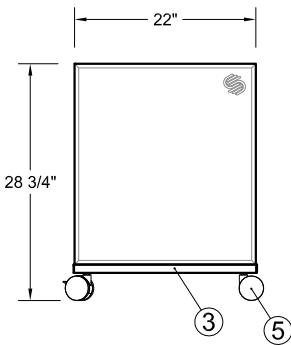
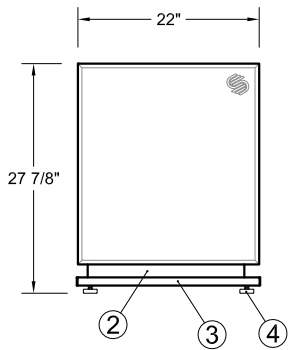


Section

# Versa II Rack

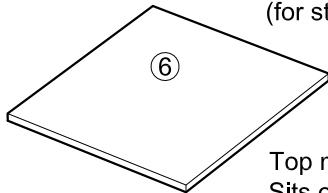
## Configurations / Options / Accessories

### Flat



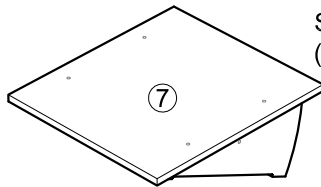
- 1) 25° Angled Riser
- 2) 1 1/2" Flat Riser
- 3) Steel Foot
- 4) Heavy Duty Levelers
- 5) Caster Pack (Optional)  
4 heavy duty, rubberized casters.  
with brakes for the front.

Solid Flat Top Option  
(for straight base configuration)



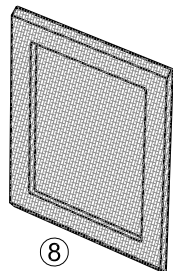
Top measures 20 1/2" wide x 22" deep.  
Sits on 5/8" risers to allow for continued  
top thermal venting.

Solid Wedge Top Option  
(for angled base configuration)



Top measures 20 1/2" wide x 22" deep  
and allows for the stacking of additional  
gear on the angled base configuration,  
without obstructing the thermal venting.

Rear Door Option



Fabric covered panel measuring 19 5/8" wide  
x 20 1/2" tall x 3/4" thick. Covers the rear  
while still providing thermal venting.  
Removable for gear access.

### Angled

