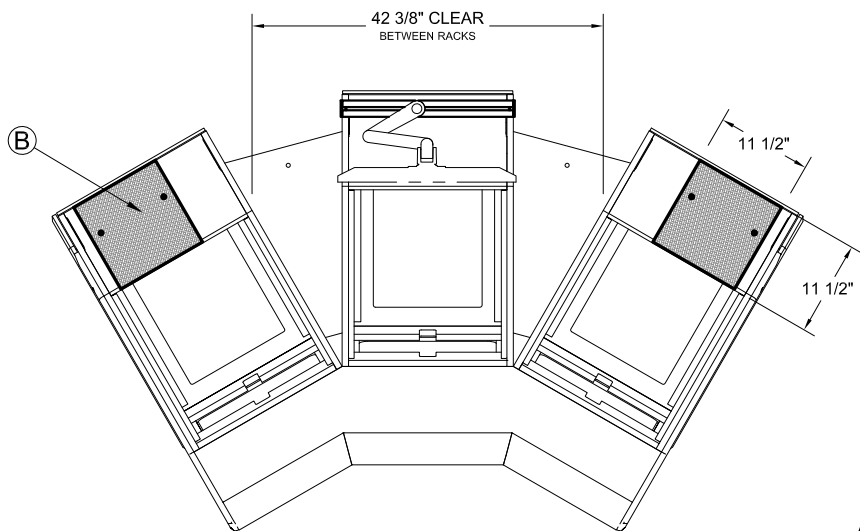


# LCD Monitor and Speaker Clearance Guide

## Plan C - Bridge Mount Speaker Platform - 11 1/2 x 11 1/2

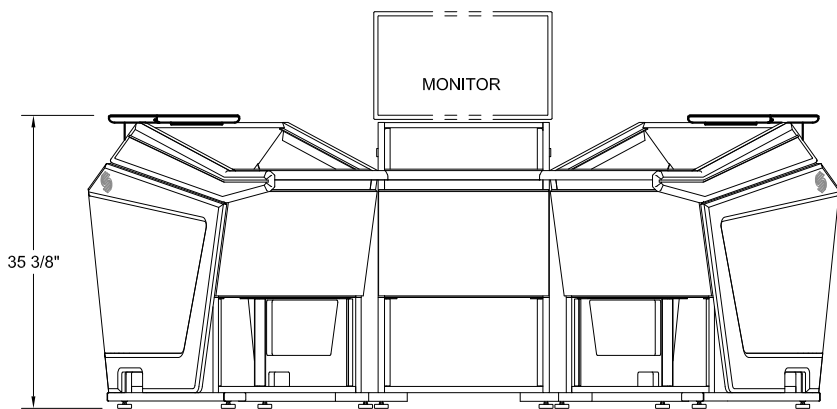
Not recommended for speakers over  
13"D x 20"W or over 30lbs  
(33cm x 50.8cm or over 13.5kg)



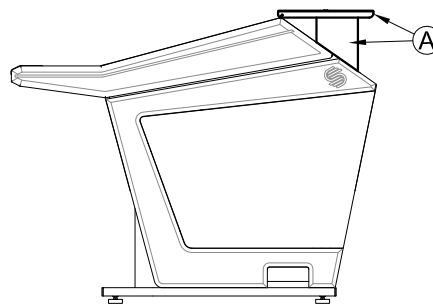
PLAN VIEW

### Features

- A) Low resonance 3/4" mdf with a Durable powder coated finish.
- B) 3/32" "Non-Skid" rubber surface.



FRONT VIEW



SIDE VIEW