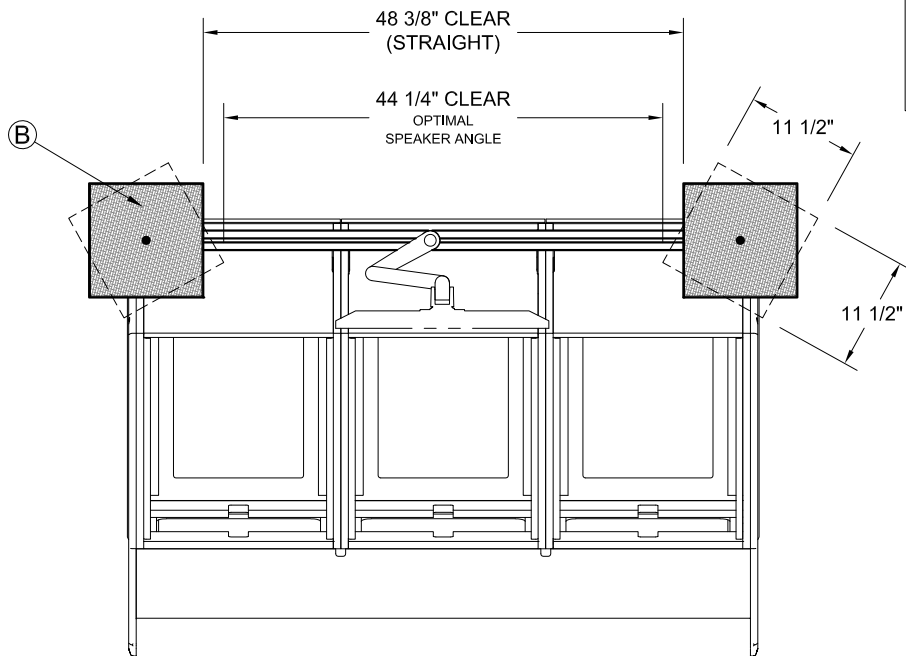


LCD Monitor and Speaker Clearance Guide

Plan B - Rail Mount Pedestal Speaker Platform



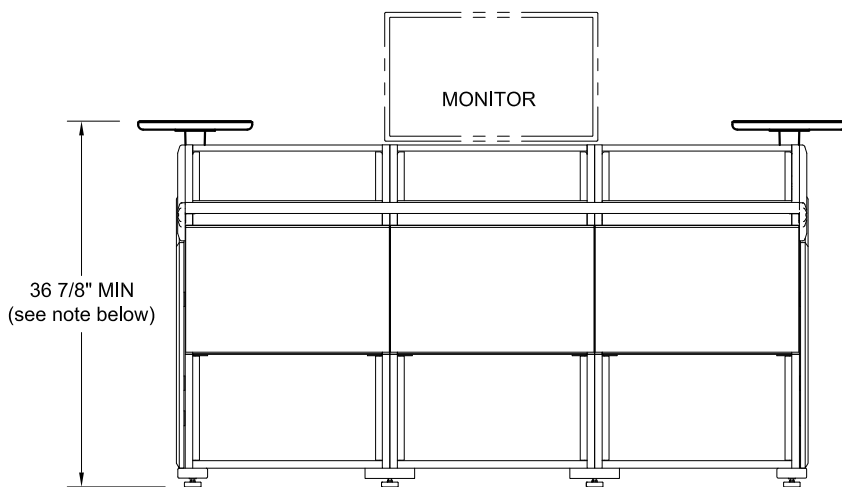
Not recommended for speakers over 13"D x 20"W or over 30lbs (33cm x 50.8cm or over 13.5kg)

PLAN VIEW

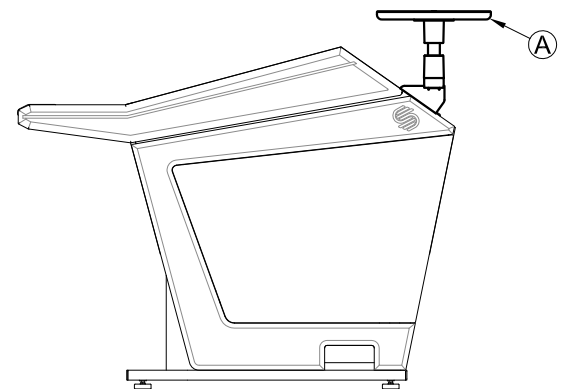
Features

- A) Low resonance 3/4" mdf with a Durable powder coated finish.
- B) 3/32" "Non-Skid" rubber surface.

Height is not adjustable
See note below.



FRONT VIEW



SIDE VIEW

Note: When ordering the Pedestal Speaker Platform contact Sterling Modular with your speaker specifications. We will cut the support pole to the correct height. In most cases the Tweeter is the Acoustical Center of the speaker and should align with the ear height above the floor, usually 48", or a floor to ear measurement at your seating position.