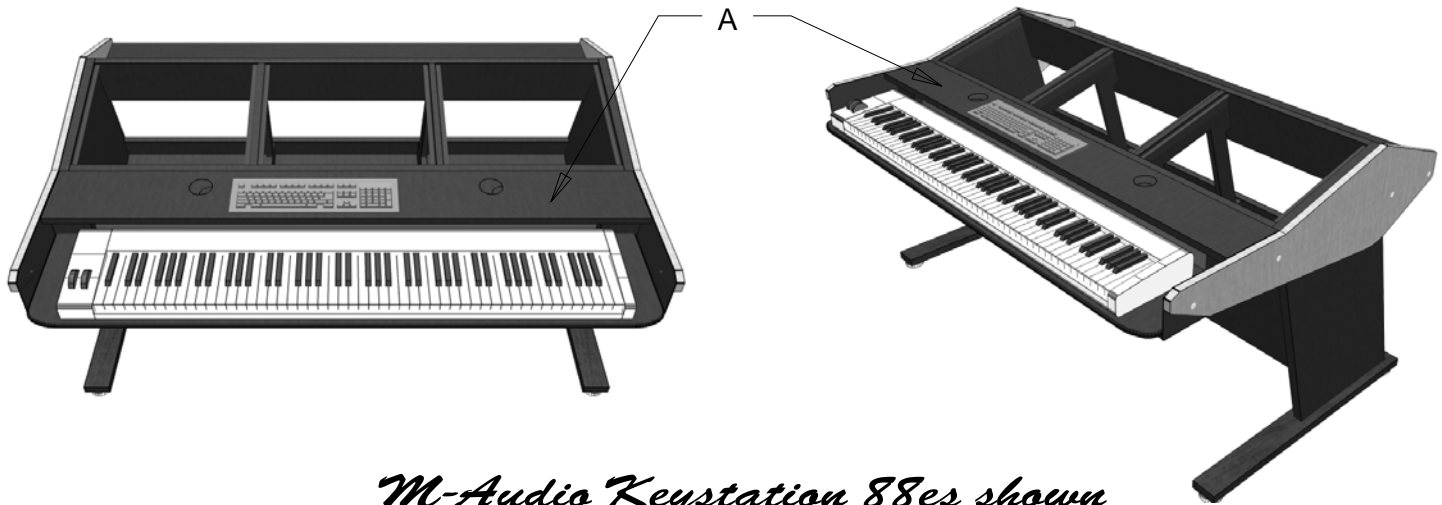


Multi - Station

3 Bay / Composer / Controller

(For keyboards up to.. 5 1/2"H x 10 1/2"D x 60 3/4" L)



M-Audio Keystation 88es shown

The "Controller" version of the Multi-Station is configured for the small footprint keyboards that are 10 1/2" deep (or less).

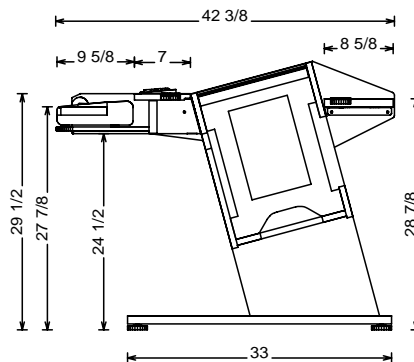
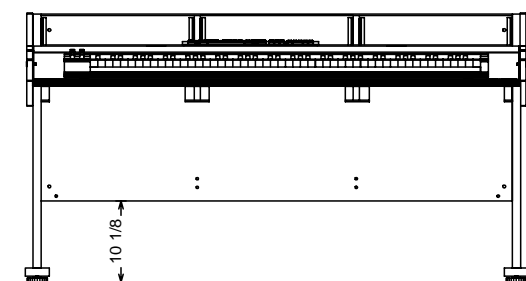
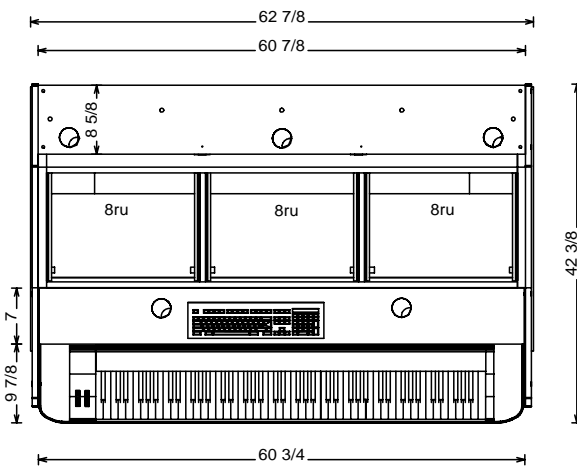
This size keyboard allows the qwerty keyboard and mouse/trackball to be placed on the convenient shelf (A) that is located behind the controller.

*The "3 Bay / Composer / Controller" console can accommodate any keyboard that measures (up to) 5 1/2" high x 10 1/2" deep x 60 3/4" long.

*Keyboards deeper than 10 1/2" will require the "Workstation" console (with "forward" keyboard tray). (page 4)

* The Console rear shelf includes wire grommets and pre-drilled holes for the application of (optional) LCD arms and speaker platforms.

To be sure of the configuration that best suits your needs, provide us with the make and model of your controller, and we will provide you with a dimensioned drawing.



Sterling Modular Systems,inc
704 East 4th Street, Boyertown PA 19512
610-369-5802
www.sterlingmodular.com

