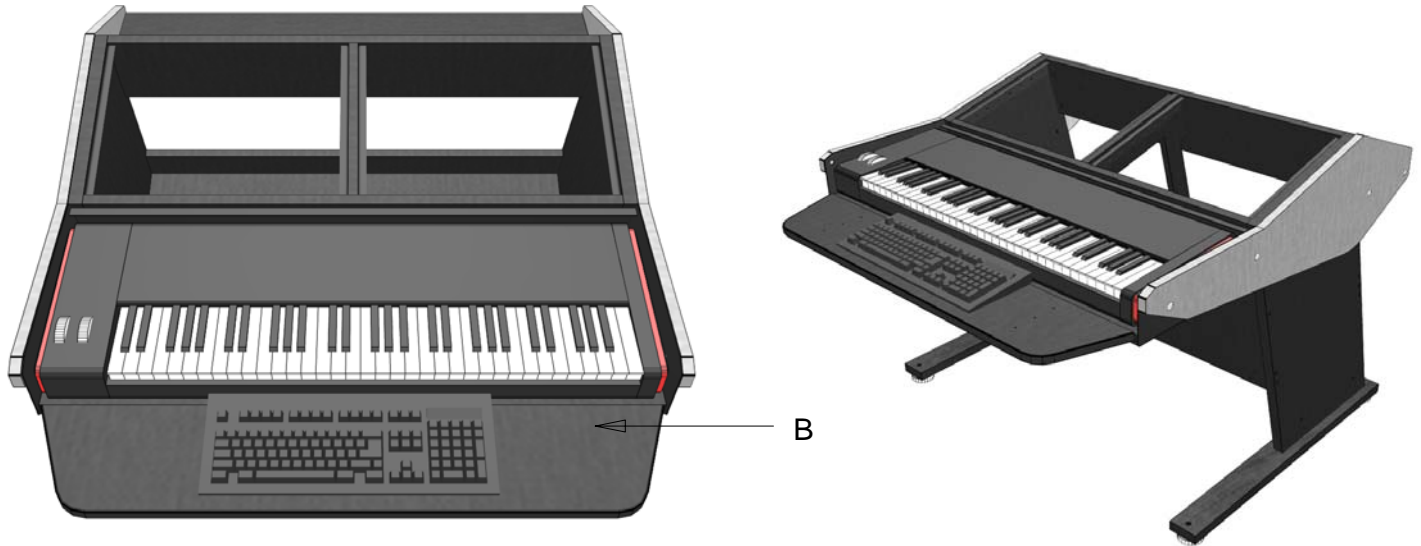


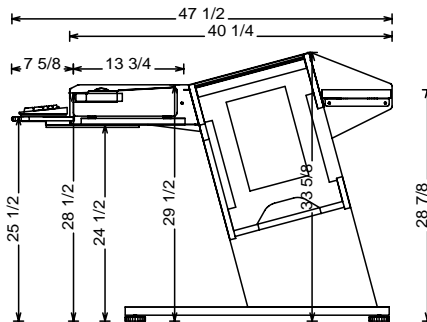
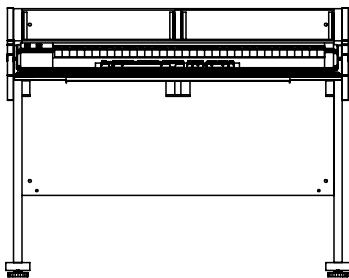
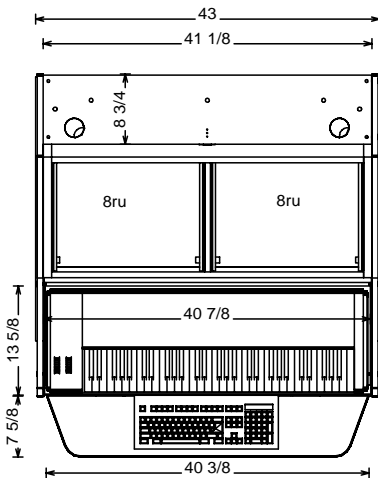
Multi - Station

2 Bay / Composer / Workstation

(For keyboards up to 5 1/2"H x 15"D x 40 3/4"L)



"Novation Impulse 61" shown



The "Workstation" version of the Multi-Station is configured for keyboards that are 10 1/2" or more in depth.
This set up includes the addition of the sliding keyboard tray (B), which adjusts in and out to fit snugly against the Keyboard.

*The "2 Bay / Composer / Workstation" console can accommodate any keyboard that measures (up to)...5 1/2" high x 10 1/2" to 15" deep x (up to) 40 3/4" long.

*Controllers longer than 40 3/4" will require the 3 Bay version of the Multi - Station. (Pages 3 & 4)

* Console rear shelf includes wire grommets and pre-drilled holes for LCD arms and speaker platforms.

To be sure that you get the configuration that best suits your needs, please provide us with the make and model of your controller and we will provide a dimensioned drawing for your approval.

Sterling Modular Systems,inc
704 East 4th Street, Boyertown PA 19512
610-369-5802
www.sterlingmodular.com

