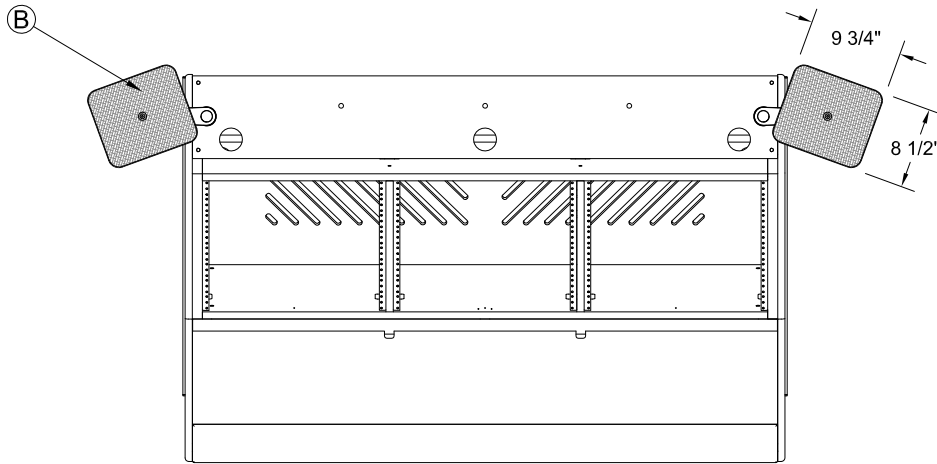


# LCD Monitor and Speaker Clearance Guide

## Multi Station 3 Bay - Surface Mount Swing Arm Speaker Platform

Not recommended for speakers over  
10"D x 9"W or over 17lbs  
(25cm x 48cm or over 7.7kg)

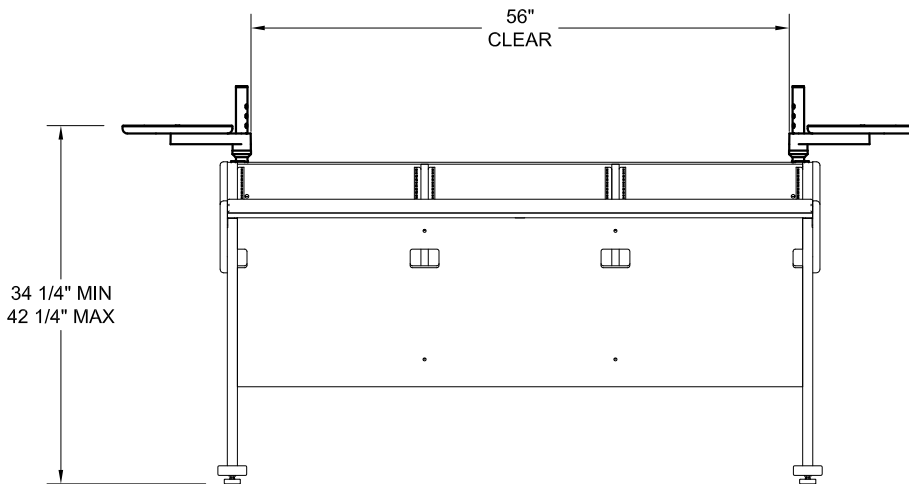


PLAN VIEW

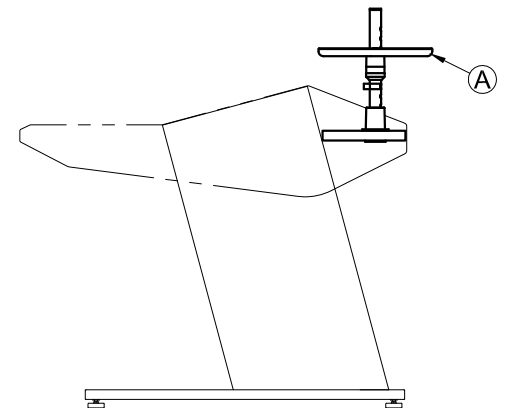
### Features

- A) Low resonance 3/4" mdf with a Durable powder coated finish.
- B) 3/32" "Non-Skid" rubber surface.

Speaker platform is height adjustable.



FRONT VIEW



SIDE VIEW